



Memphis Elite Built-In

Model Number VGB0002
Appendix and Model-Specific Information

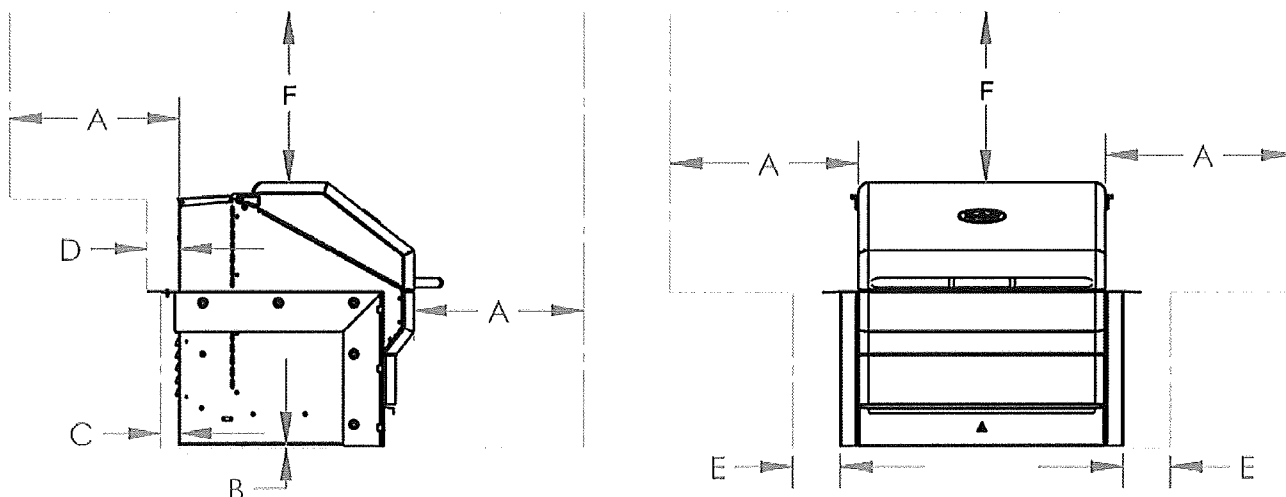
<u>Contents</u>	
Grill Clearance to Combustible Materials	1
Grill Island Dimensions	3
Unpacking and Assembly	4
Grill Exploded View	5
Grill Bill Of Materials	6
Installation Step 1-3	7-10
Final Assembly	11
Hardware Kit	12
Wiring Diagram	13

Clearance To Combustible Materials

WARNING: The structure and surrounding objects MUST maintain the specified minimum clearance to combustible materials.

Built-in structures constructed of wood or other combustible materials may require the use of the **OPTIONAL Built-In Heat Shield Kit** to maintain the required clearance to combustible materials. The grill may be supported by either the three support brackets, or the four leveling feet. Please note that there must be at least 3/8" clearance between the bottom of the grill and the structure.

Maintain the clearance to combustible materials as specified below.



	STANDARD UNIT	UNIT WITH OPTIONAL HEAT SHIELD KIT VGBHSK
A	18"	18"
B	3/8"	3/8"
C	2"	2"
D	3.5"	3.5"
E	18"	1/8"
F	30"	30"

A MAJOR CAUSE OF FIRES IS FAILURE TO MAINTAIN REQUIRED CLEARANCES (AIR SPACES) TO COMBUSTIBLE MATERIALS. IT IS OF UTMOST IMPORTANCE THAT THIS PRODUCT BE INSTALLED ONLY IN ACCORDANCE WITH THESE INSTRUCTIONS

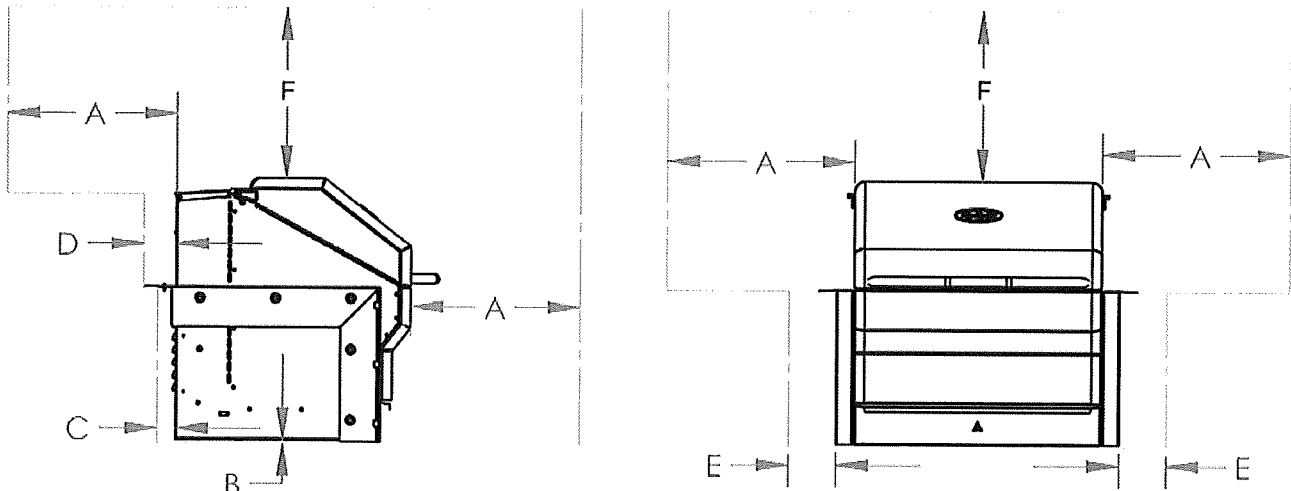


Dégagement des matériaux combustibles

LE GRIL MEMPHIS TENU DE MAINTENIR SON JEU SPÉCIFIÉ AUX MATÉRIAUX COMBUSTIBLES PENDANT LE FONCTIONNEMENT DU GRIL OU LORSQUE LE GRIL EST CHAUD.

Voici quelques lignes directrices pour assurer la sécurité de votre Memphis Grill.

- La grille doit être soutenue par les roulettes fournies.
- Roulettes Grill doivent être verrouillées pendant que le grill est en marche ou pendant la branchie est chaud .
- Il est recommandé que le grill être placé sur une surface incombustible .
- Faire fonctionner le grill sous un plafond combustible ou faux n'est pas recommandé .
- Maintenir le dégagement minimal aux matériaux combustibles spécifiés ci-dessous .



	STANDARD UNIT	UNIT WITH OPTIONAL HEAT SHIELD KIT VGBHSK
A	18"	18"
B	3/8"	3/8"
C	2"	2"
D	3.5"	3.5"
E	18"	1/8"
F	30"	30"

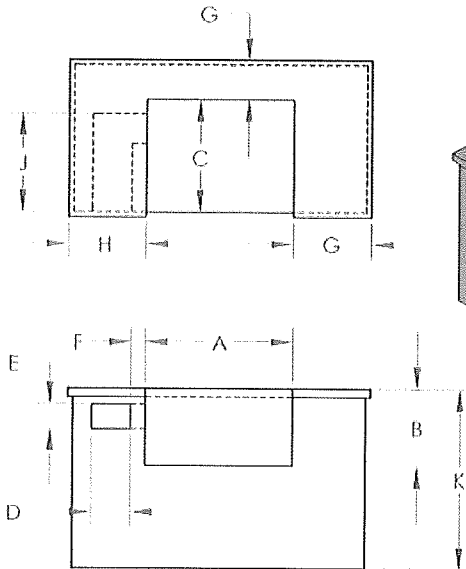
UNE CAUSE MAJEURE DE INCENDIES EST NON DES DÉGAGEMENTS OBLIGATOIRES (PLACES AIR) AUX MATÉRIAUX COMBUSTIBLES. IL EST DE LA PLUS HAUTE IMPORTANCE QUE CE PRODUIT SOIT INSTALLÉE SELON LES INSTRUCTIONS



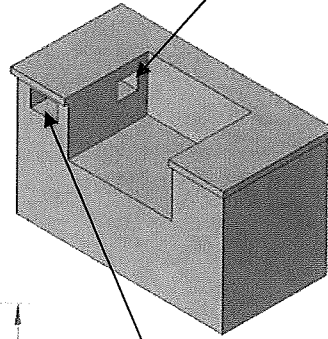
Built-In Grill Island Dimensions

WARNING: See clearance to combustible materials, when designing and constructing a built-in island. Built-in islands must be built to the specifications listed below.

The owner and/or builder are responsible for consulting local, county and state building codes for securing any necessary building permits before construction. **NOTE:** Construction codes vary from locality to locality.



Controller cable way is to maintain dimensions D and E throughout its entire path. The controller cable way may be located either through the back of the island's cavity, or in either side of the cavity as depicted below.



ITC Control Location
110/120v AC* supply required within 10 ft. of the ITC.
NOTE: The location of the ITC is for illustration purposes only. The grill is equipped with 10 feet of cable, allowing it to be mounted in a variety of locations.
*European 230V

NOTE: Dimensions are to the finished surfaces. Grill cavity surfaces are to be plumb and level to ensure a proper fit.

VGB0001 PRO BUILT-IN		
DIMENSION		TOLERANCE
A	30 1/4"	± 1/8"
B	16 3/4"	± 1/8"
C	24 1/2"	± 1/4"
D	8 1/4"	± 1/8"
E	4"	± 1/8"
F	3 INCHES - 9 FEET	
G	3 1/2" MIN	
H	12" MIN	
J	22"	± 1"
K	STANDARD CABINET HEIGHT	

VGB0002 ELITE BUILT-IN		
DIMENSION		TOLERANCE
A	42 5/8"	± 1/8"
B	16 3/4"	± 1/8"
C	24 1/2"	± 1/4"
D	8 1/4"	± 1/8"
E	4"	± 1/8"
F	3 INCHES - 9 FEET	
G	3 1/2" MIN	
H	12" MIN	
J	22"	± 1"
K	STANDARD CABINET HEIGHT	

The *Memphis Pro* and *Elite* require a 110/120 V AC* supply. The ITC is supplied with a 3-prong grounding plug. To minimize possible shock hazard, the cord must be plugged into a mating 3-prong ground-type outlet, grounded to conform with the National Electrical Code, ANSI/NFPA latest edition, Canadian Electrical Code (CSA) and all local codes and ordinances.

*European units utilize a 230V power supply.

