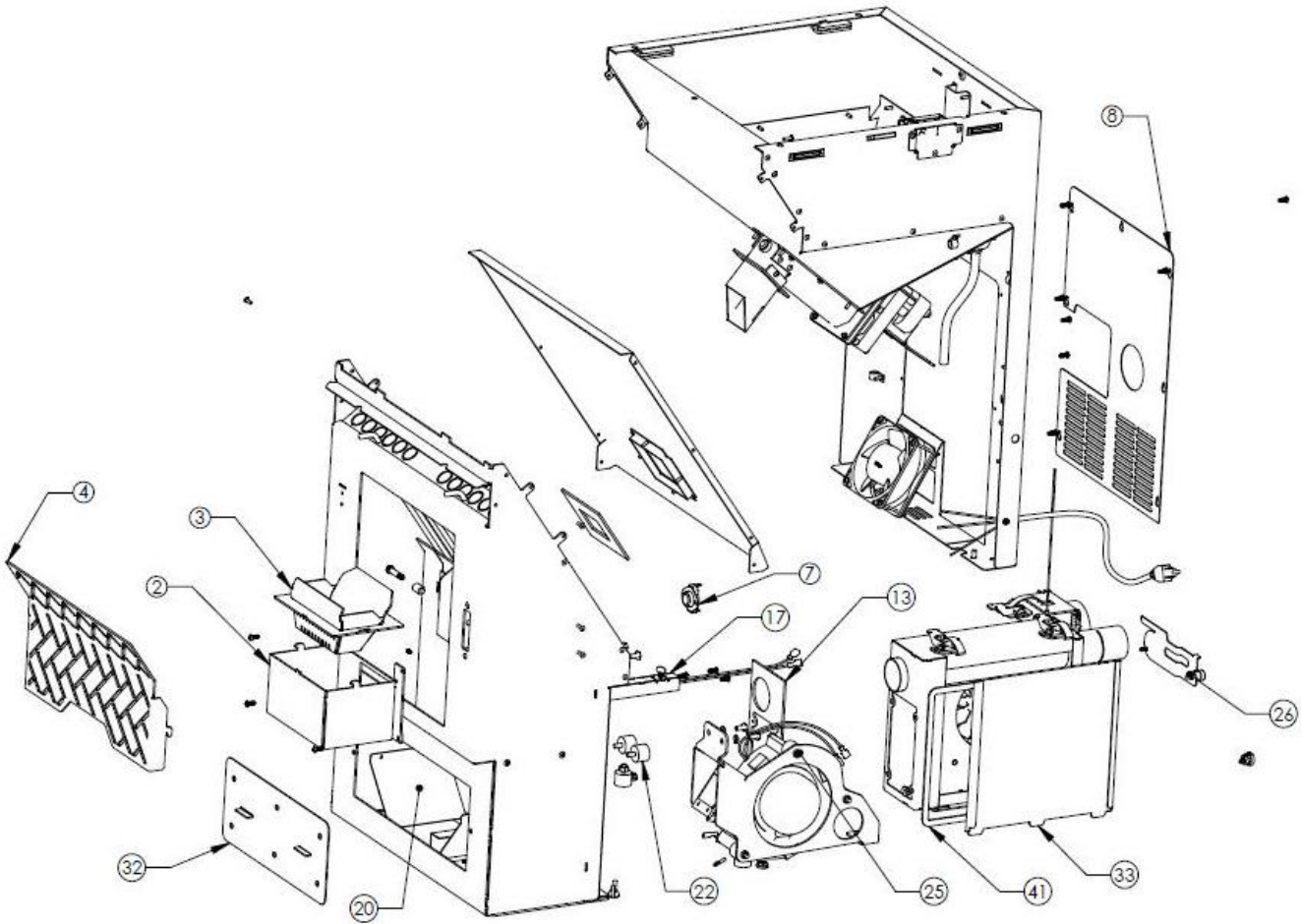
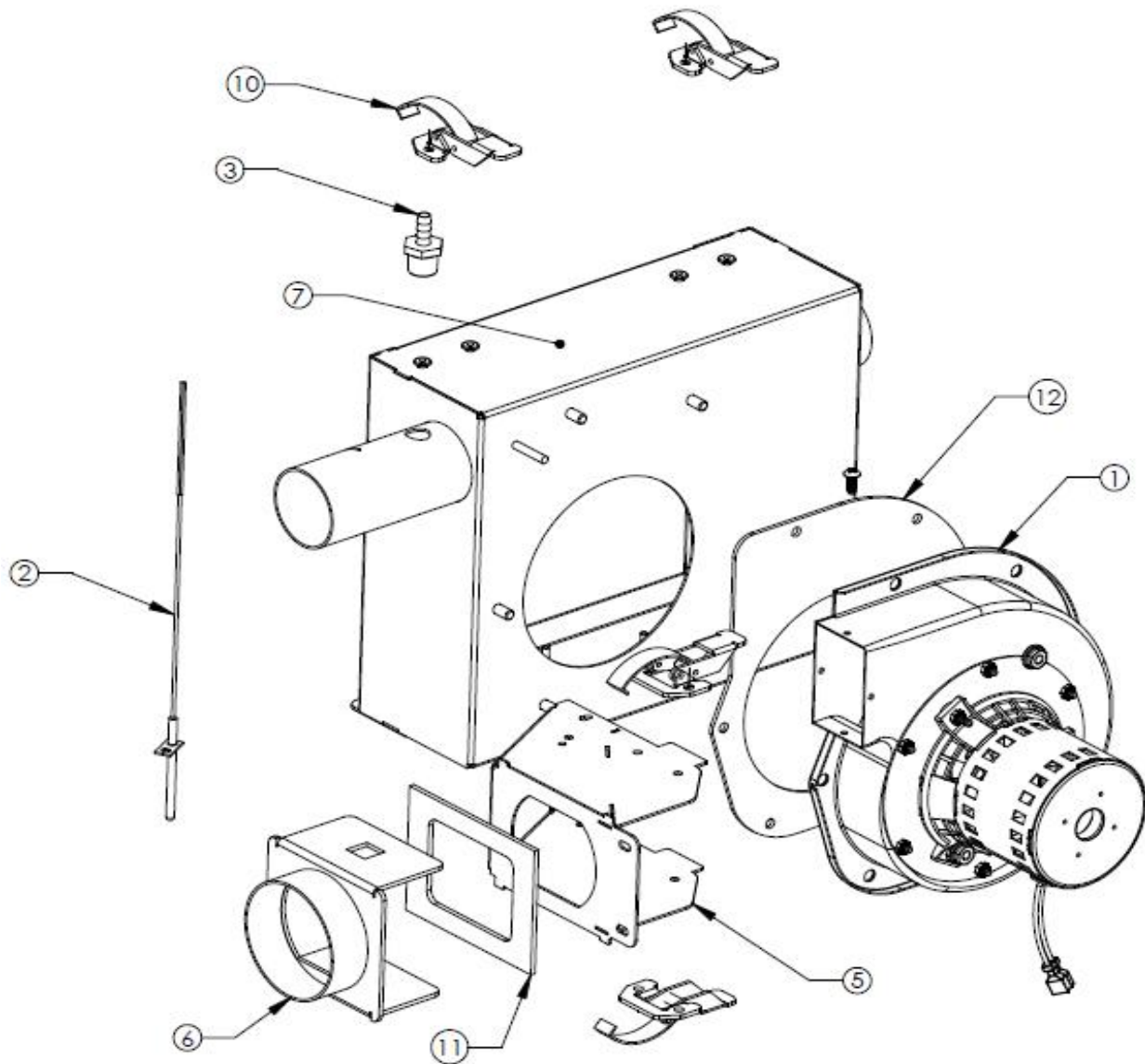


REPLACEMENT PARTS LIST



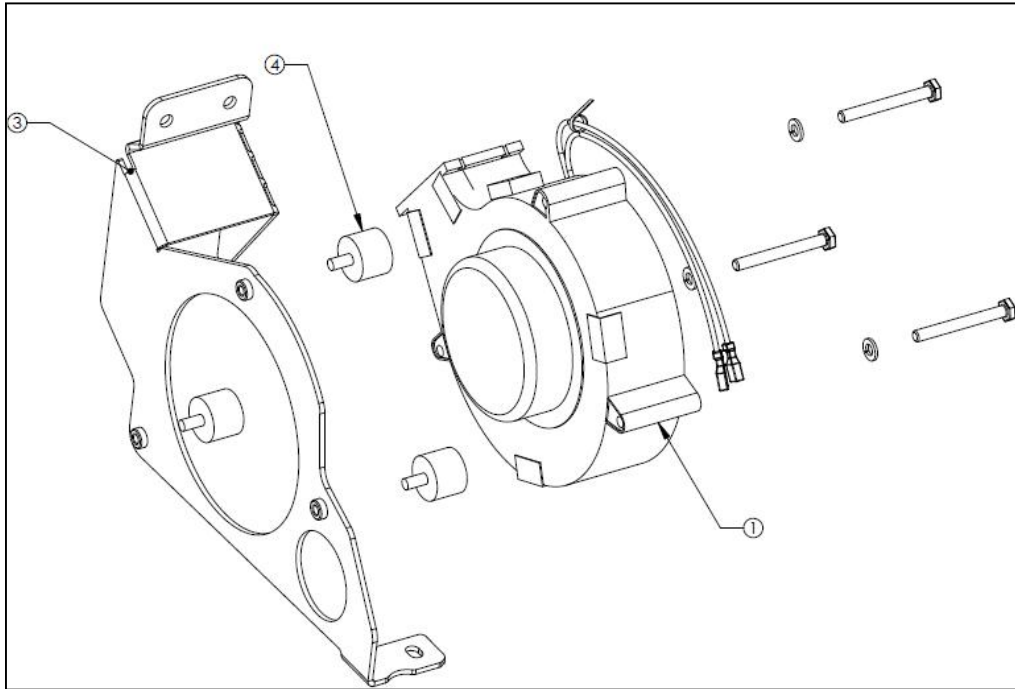
ITEM NO.	Default/ QTY.	PART NUMBER	Revision	DESCRIPTION
2	1	VS0112	E	Burn Pot
3	1	vs1114	A2	STOVE BURN POT
4	1	VS0116	E1	Decorative Plate
7	1	VS0906 (SE-L250)	A	250° SNAP SWITCH
8	1	VS0167	E	REAR ACCESS PANEL
13	1	VS0936	C	EXHAUST MANIFOLD GASKET
17	1	VS1179	D	IGNITER ASSEMBLY, STOVE
20	2	VS0184	D1	ASH DIVERTER
22	6	VS0907	-	NEOPRENE VIBRATION MOUNT
25	2	VS1925	F	CONVECTION BLOWER ASSY
26	1	vs0139	F	DAMPER BLADE
32	1	vs1198	A1	LOWER ACCESS PLATE ASSM
33	1	vs0147	E1	ACCESS PANEL, MANIFOLD
41	1	VS0946	A	GASKET, ASH PAN

REPLACEMENT PARTS LIST (CONTINUED)

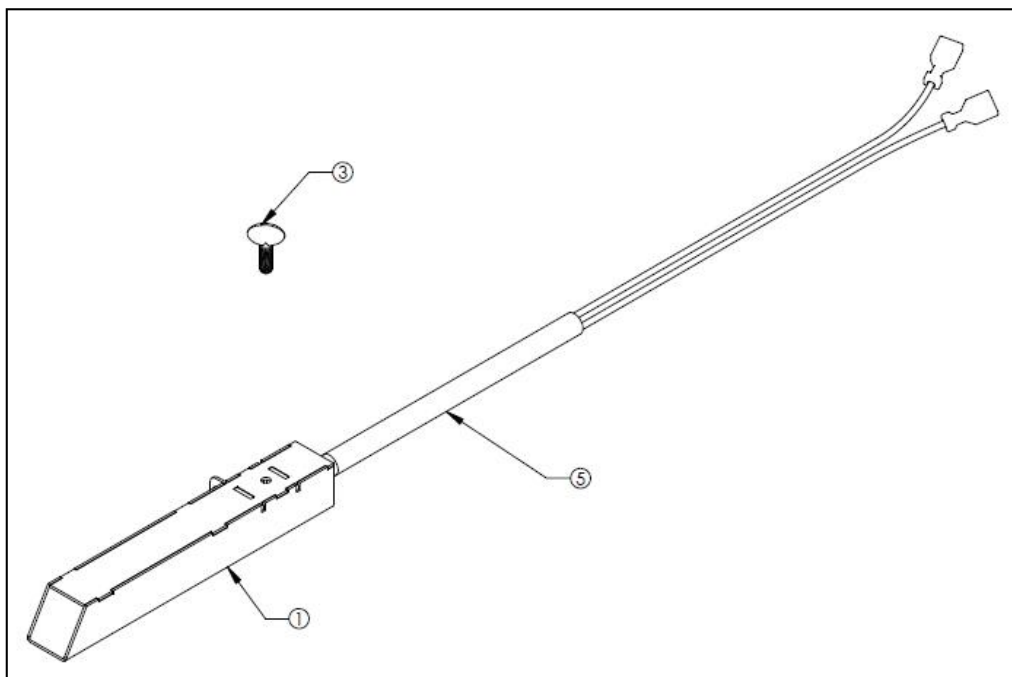


ITEM NO.	QTY.	PART NUMBER	Revision	DESCRIPTION
1	1	vs0923	B	COMBUSTION BLOWER
2	1	VS0927	A	RTD PROBE
3	1	VS0930		MALE HOSE BARB
5	1	VS1171	E1	EXHAUST TRANSITION ASSY
6	1	VS1172	E	EXHAUST QUICK DISCONNECT
7	1	VS1148	D1	EXHAUST SUB-ASSY
10	4	VS1214	-	CLAMP
11	1	VS0961	A	EXHAUST MOUNT GASKET
12	5	VS0941		COMBUSTION BLOWER GASKET

REPLACEMENT PARTS LIST (CONTINUED)

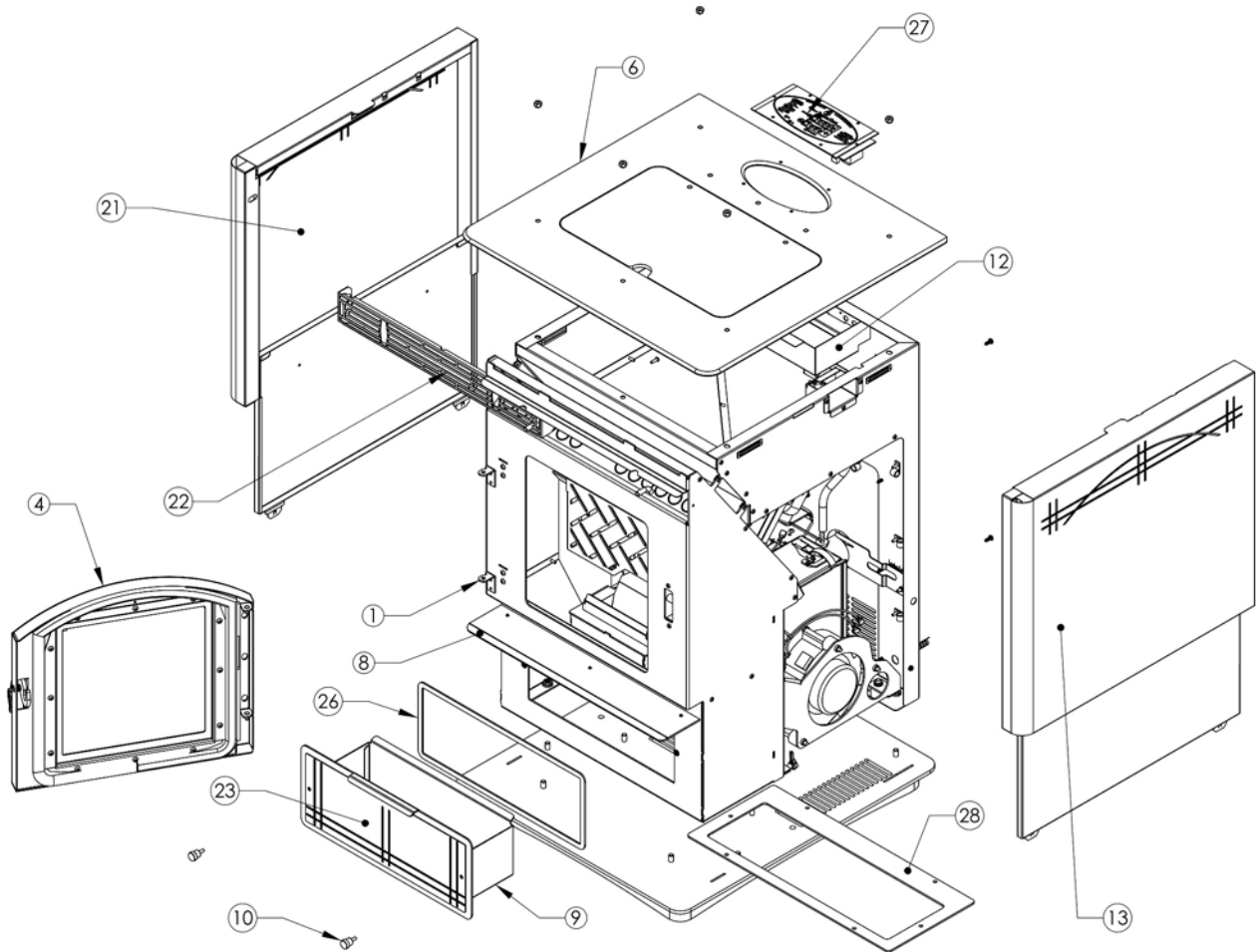


ITEM NO.	QTY.	PART NUMBER	Revision	DESCRIPTION
1	1	VS0925	-	CONVECTION BLOWER
3	1	VS0222	B1	CONVECTION BRACKET
4	3	VS0907	-	NEOPRENE VIBRATION MOUNT



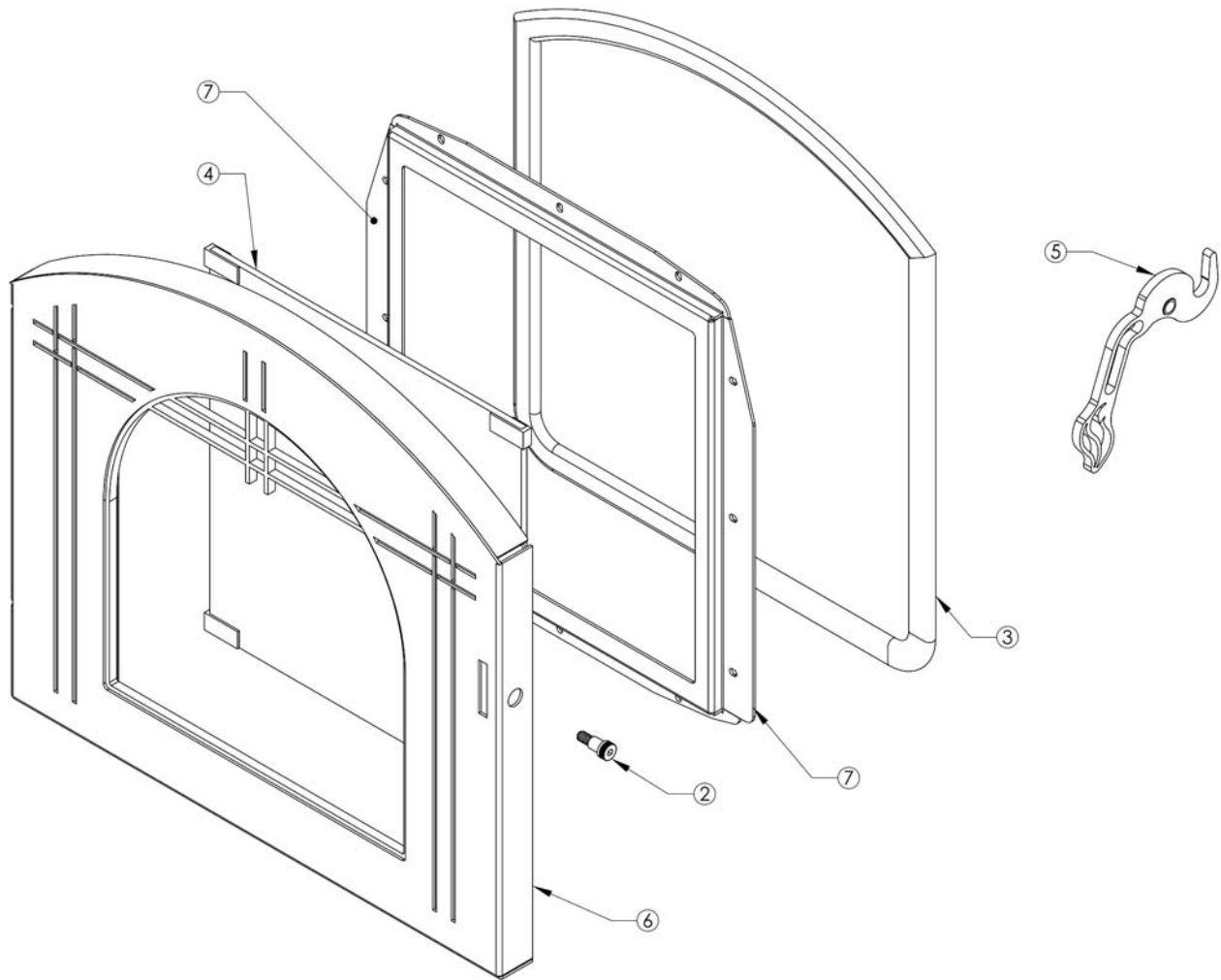
ITEM NO.	QTY.	PART NUMBER	REVISION	DESCRIPTION
1	1	VS1179	D	IGNITER TUBE ASSEMBLY
3	1	VG0929	3	THUMB SCREW
5	1	VS0955	-	IGNITER CARTRIDGE

REPLACEMENT PARTS LIST (CONTINUED)



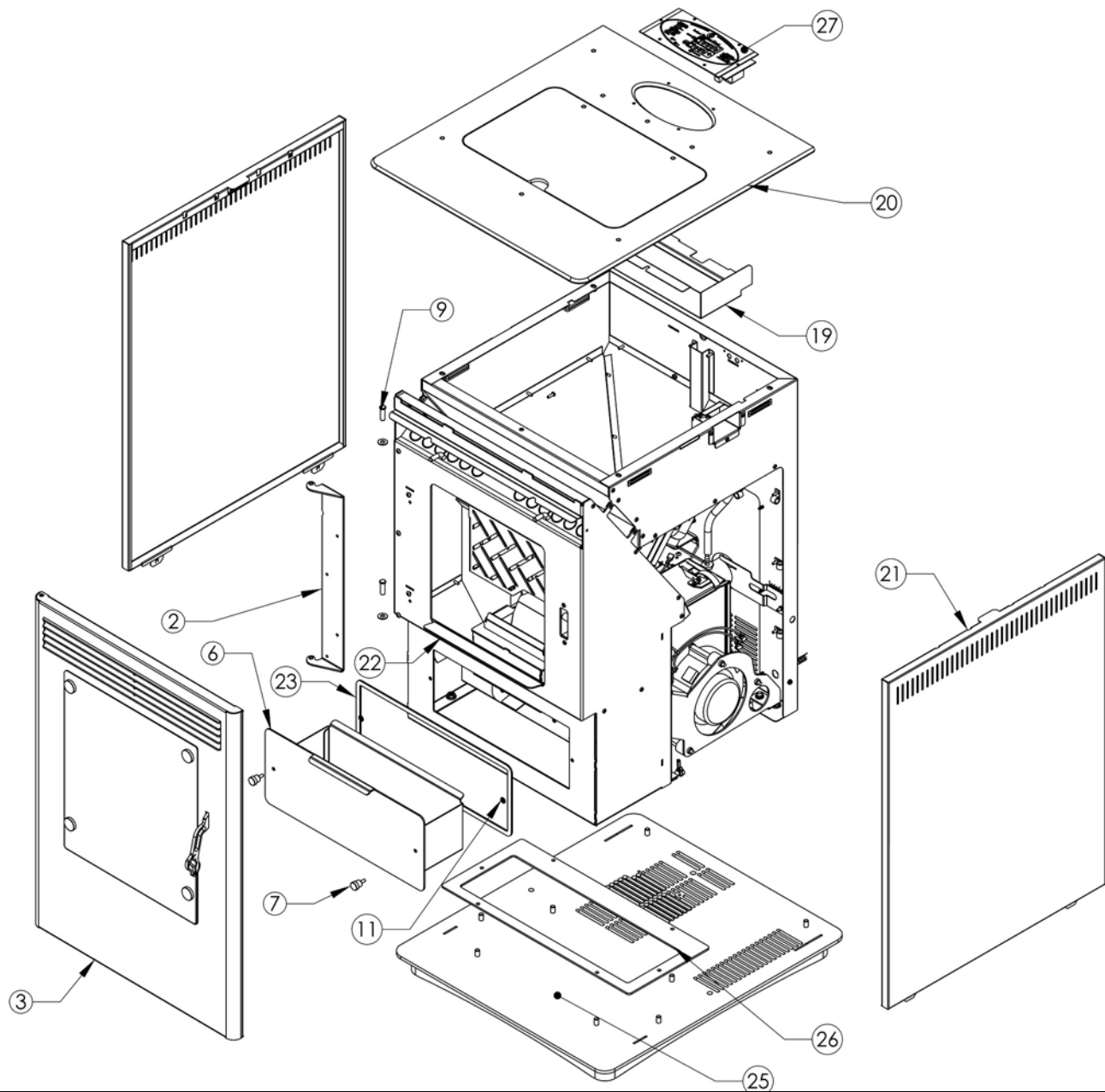
ITEM NO.	Default/ QTY.	PART NUMBER	Revision	DESCRIPTION
1	2	VS0108	D1	3000 DOOR HINGE BRKT
4	1	VS1118	E1	3000 DOOR FINAL ASSY
6	1	VS2720	E1	3000 TOP ASSEMBLY
8	1	VS0117-S	A	3000 ASH LEDGE
9	1	VS1110	D1	ASH PAN ASS'Y
10	2	VS0998	A	ASH PAN FASTENER
12	1	VS0223	A	CONTROL SHIELD
13	1	VS1701	E	3000 RIGHT PANEL ASSY
21	1	VS1702	E	3000 LEFT PANEL ASSY
22	1	VS0194	A2	3000 DECORATIVE CONVECTION PLATE
23	1	VS0233	A1	3000 ASH PAN OVERLAY
26	1	VS0946	A	ASH PANGASKET
27	1	VS0921	-	BURN 251 CONTROLLER
28	1	VS0944	D	MAIN GASKET

REPLACEMENT PARTS LIST (CONTINUED)



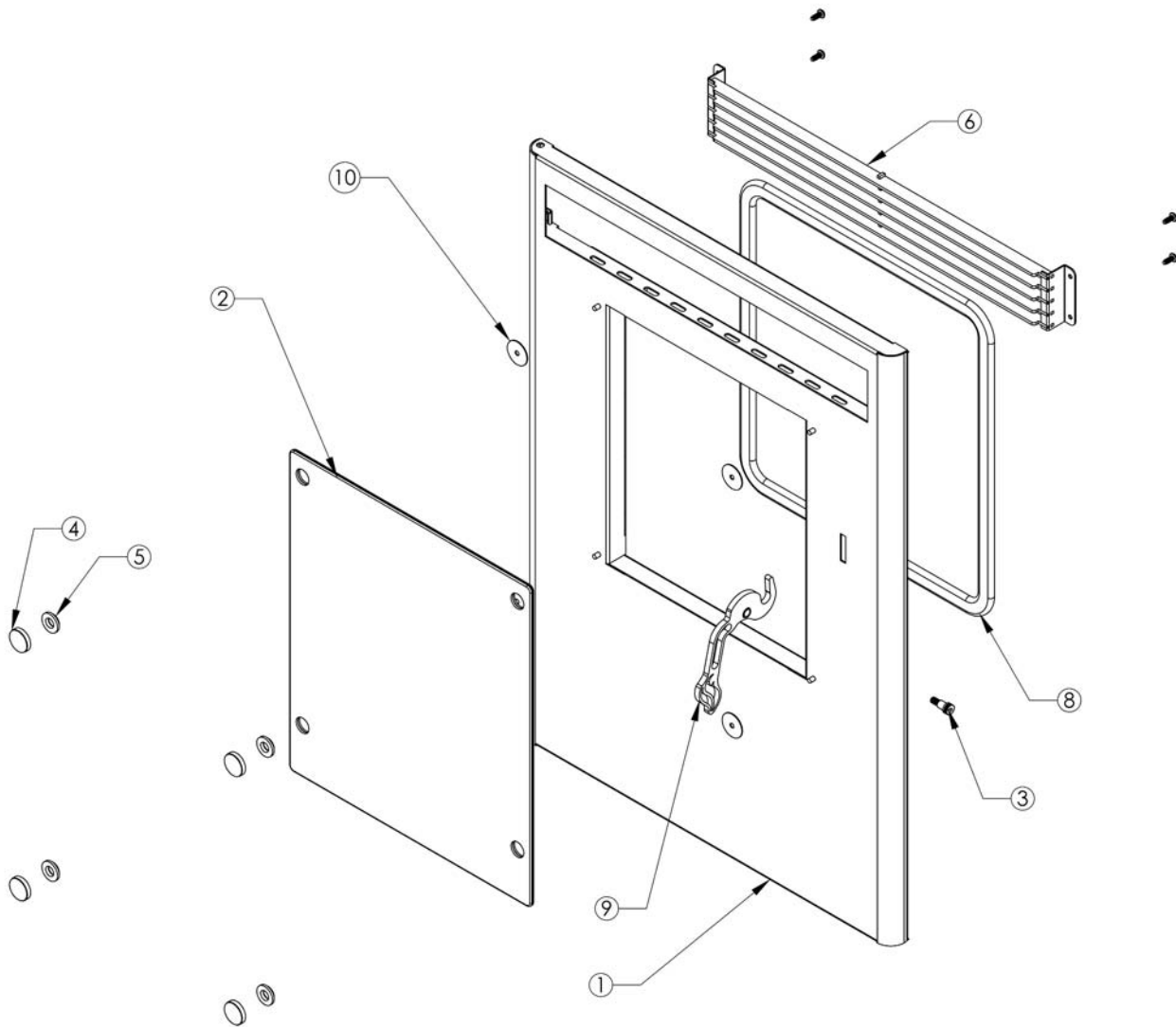
ITEM NO.	QTY.	PART NUMBER	Revision	DESCRIPTION
2	1	DS2234		SHOULDER BOLT X 3/8"
3	1	VS0945	B	3000 DOOR CLIP GASKET
4	1	VS1917	E	GLASS ASSEMBLY
5	1	VS0178	D1	DOOR HANDLE ASSEMBLY
6	1	VS1132	E1	3000 DOOR WELDMENT
7	1	VS0134	F1	GLASS RETAINING PLATE

REPLACEMENT PARTS LIST (CONTINUED)



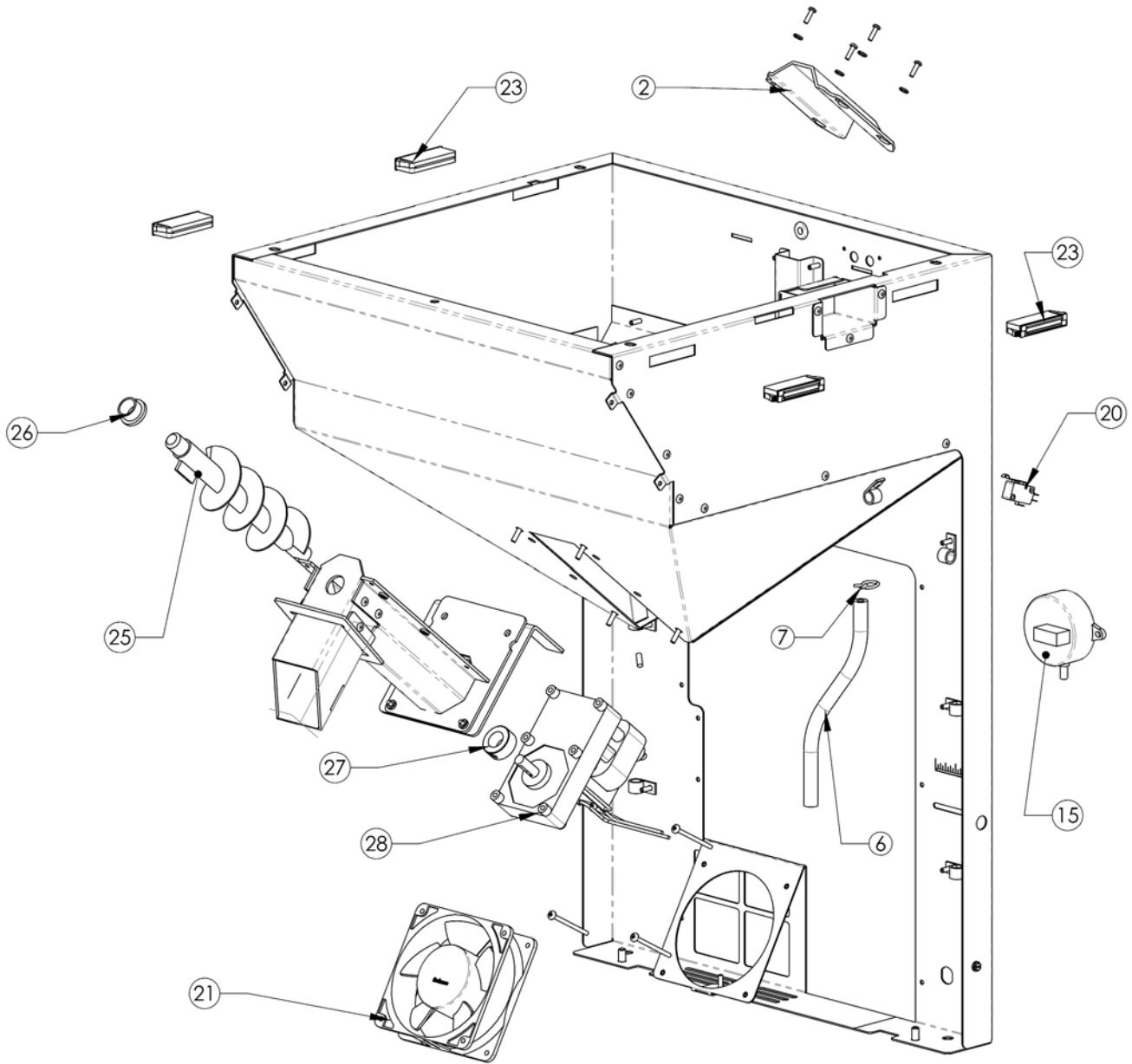
ITEM NO.	Default/ QTY.	PART NUMBER	Revision	DESCRIPTION
2	1	VS0160	D	4000 HINGE BRKT
3	1	vs1158	D1	4000 DOOR FINAL ASSY
6	1	VS1110	D1	ASH PAN ASS'Y
7	2	VS0998	A	ASH PAN FASTENER
9	2	DS4488	-	4000 DOOR HINGE PIN,
11	2	DS2274	-	#10 PUSH NUT
19	1	VS0223	A	CONTROL SHIELD
20	1	vs2612	E	4000 TOP ASSEMBLY
21	2	vs0602	E1	4000 SIDE PANEL
22	1	vs0195	-	ASH SHIELD
23	1	VS0946	A	VS0946 ROPE GASKET
25	1	vs1605	D2	4000 BASE ASSY
26	1	VS0944	D	MAIN GASKET
27	1	VS0921	-	BURN 251 CONTROLLER

REPLACEMENT PARTS LIST (CONTINUED)



ITEM NO.	QTY.	PART NUMBER	Revision	DESCRIPTION
1	1	VS1159	D2	VS4000 DOOR SUB ASSY
2	1	VS0933	C	4000 VIEWING PANEL
3	1	DS2234		MCMaster # 91259A576
4	4	VS0934	F	GLASS RETAINING FASTENER
5	4	vs0935	-	DU-CO # AS-2277
6	1	VS1610	D	4000 GRILL HORIZONTAL
8	1	VS0945	B	C-E16880-00-00; .560" DIA; 3" CLIP GASKET
9	1	VS0178	D1	DOOR HANDLE ASSEMBLY
10	4	VS0225	A	AIR WASH SPACER

REPLACEMENT PARTS LIST (CONTINUED)



ITEM NO.	QTY.	PART NUMBER	Revision	DESCRIPTION
2	1	VS0211	D	AUGER COVER
6	1	VS0931	-	1/4" I/D HI-TEMP HOSE
7	1	VS0996	-	HOSE CLAMP
15	1	VS0929-1	B	VACUUM SWITCH (0.07" +/- 0.03WC)
20	1	VS0913	-	SWITCH
21	1	VS9902	-	COOLING FAN
23	4	VS0956	-	PANEL MAGNET
25	1	VS9901	A1	PELLET AUGER, STOVE
26	1	VG0904	A	BUSHING
27	1	VG0912	A	SHAFT RETAINER BUSHING
28	1	VS0908	A	GEAR MOTOR