

PELLET STOVE INSTALLATION & OPERATION MANUAL FOR STOVES WITH SERIAL NUMBERS 01178—CURRENT



*Hearthland Nokomis
Pellet Stove*



*Hearthland Hiawatha
Pellet Stove*



*Hearthland Itasca
Pellet Stove*



We recommend that our pellet hearth products be installed and serviced by professionals who are certified in the United States by the National Fireplace Institute® (NFI) as NFI Pellet Specialists.



SAFETY NOTICE

PLEASE READ THIS ENTIRE MANUAL BEFORE INSTALLATION AND USE OF THIS PELLET FUEL-BURNING ROOM HEATER. FAILURE TO FOLLOW THESE INSTRUCTIONS COULD RESULT IN PROPERTY DAMAGE, BODILY INJURY OR EVEN DEATH. IF YOU CANNOT READ OR UNDERSTAND THESE INSTRUCTIONS DO NOT ATTEMPT TO INSTALL OR OPERATE .

SAVE THESE INSTRUCTIONS.

CONTACT LOCAL BUILDING OR FIRE OFFICIALS ABOUT RESTRICTIONS AND INSTALLATION INSPECTION REQUIREMENTS IN YOUR AREA.



WARNINGS

- **HOT! DO NOT TOUCH! THE GLASS AND SURFACES OF THIS APPLIANCE WILL BE HOT DURING OPERATION AND WILL RETAIN HEAT FOR A WHILE AFTER SHUTTING OFF THE APPLIANCE. SEVERE BURNS MAY RESULT!**
- **HEARTH LAND PELLET BURNING APPLIANCES ARE DESIGNED FOR USE AS A SUPPLEMENTAL HEATER. THEY ARE NOT INTENDED FOR CONTINUOUS USE AS A PRIMARY HEAT SOURCE.**

CONGRATULATIONS on the purchase of your **HEARTH LAND** stove! With the purchase of your new pellet stove, you have joined countless individuals whose answer to their heating needs reflects their concern for aesthetics, efficiency and our environment. The following are key factors relating to the installation and operation of your stove and heating with wood pellet fuel.

1. A **quality installation which meets all safety and building code requirements is a must** for the safety of your family and for efficient, satisfactory operation of your stove.
2. **Use premium grade pellets with high BTU content and minimum “fines”.** See Section #5.1 “Wood Pellet Specifications”
3. **Keep your stove’s burn grate clean.** A dirty burn grate restricts combustion air making it difficult to maintain proper combustion contributing to poor performance and increased fuel usage. (See Section #6 “Maintenance & Required Cleaning”)
4. **Keep your stove’s heat exchanger clean.** A dirty heat exchanger reduces heat transfer to convection air contributing to poor performance and increased fuel usage. (See Section #6 “Maintenance & Required Cleaning”)

In many cases, operational problems are the result of lack of thorough appliance cleaning, improper installation, or substandard pellets. Daily care and periodic servicing of your **HEARTH LAND** stove will provide clean, efficient, comfortable and environmentally friendly heating for many years. We extend our continued support to help you to achieve the maximum benefit and enjoyment from your new pellet stove. For additional information and operational tips go to:

www.Hearthlandproducts.com

Thank you for selecting Hearthland Products pellet stove as the solution to your heating needs.



**HEARTH LAND PRODUCTS, LLC
9111 GRAND AVE SO
BLOOMINGTON, MN 55420**

PHONE: 1-888-883-2260

www.Hearthlandproducts.com



Made in USA

Copyright 2010, **Hearthland Products LLC** All rights reserved.

No part of this manual may be copied, transmitted, transcribed, stored in a retrieval system, in any form or by any means without the expressed written permission of **Hearthland Products LLC; Bloomington, MN**

TABLE OF CONTENTS

1 General Information		4.11 Thermostat Specification	28
1.1 Important Safety Items	4	4.12 Thermostat Installation	28
1.2 Safety Listing	6	4.13 Thermostat Modes	29
1.3 How Your Hearthland Stove Works	8	5 Fuel	
1.4 Automatic Safety Features	9	5.1 Wood Pellet Specification	30
1.5 Specifications	10	5.2 Fuel Consumption	30
1.6 Electrical Information	10	6 Maintenance & Required Cleaning	
2 Preparation for installation		6.1 Burn Grate	31
2.1 Pre-Installation Checklist	11	6.2 Glass	32
2.2 Stove Location	12	6.3 Heat Exchanger	32
2.3 Requirements For Floor Protection	12	6.4 Ash Pan	32
2.4 Minimum Clearances To Walls & Combustibles	13	6.5 Burn Pot	32
2.5 Venting Requirements	14	6.6 Door Gasket	33
2.6 Determining Vent Diameter Requirements	14	6.7 Ash Trap	33
2.7 Pellet Vent Termination	15	6.8 Exhaust Venting	33
2.8 Venting Configurations	16	6.9 Exhaust Quick Disconnect	33
2.9 Outside Air Intake	18	6.10 Exhaust Manifold	34
3 Installation		6.11 Fans & Blowers	34
3.1 Suggested Installation Tools	19	6.12 Fresh Air Intake	34
3.2 Mobile Home Installation	20	6.13 Glass Air Wash	34
4 Operating Instructions		6.14 Stove Exterior	35
4.1 Filling Hopper With Fuel	21	6.15 Pellet Hopper	35
4.2 Intelligent Temperature Control (ITC) General Overview	22	6.16 Seasonal Start-up	35
4.3 Starting Stove	23	6.17 Spring Shut Down	35
4.4 Shutting Off Stove	23	6.18 Service Contracts	35
4.5 Adjusting Stove Settings	24	7 Manual Ignition & Power Backup	
4.6 Adjusting Stove for Best Performance	25	7.1 Manual Stove Lighting Procedure	36
4.7 Adjusting Air Intake Damper	25	7.2 Power Backup	36
4.8 Combustion Blower Speed Adjustment (F1)	25	8 Electrical & Wiring Diagram	
4.9 ITC Temperature Adjustment (T1)	26	8.1 Electrical Information	37
4.10 Setting Mode of Operation	27	8.2 Wiring Diagram	37
		8.3 Electrical Component Specifications	37
		9 Troubleshooting	38
		10 Replacement Parts List	41
		11 Limited Warranty	49
		12 Warranty Registration Form	52

GENERAL INFORMATION



IMPORTANT

1.1 IMPORTANT SAFETY ITEMS:

- **CONTACT YOUR LOCAL BUILDING OFFICIAL BEFORE INSTALLATION** TO OBTAIN THE NECESSARY PERMITS AND INFORMATION ON ANY INSTALLATION RESTRICTIONS OR INSPECTION REQUIREMENTS IN YOUR AREA.
- THIS UNIT MUST BE PROPERLY INSTALLED TO PREVENT THE POSSIBILITY OF A HOUSE FIRE. THE INSTRUCTIONS AND LOCAL BUILDING CODES REQUIREMENTS MUST BE STRICTLY ADHERED TO. **WE RECOMMEND THAT OUR PELLET HEARTH PRODUCTS BE INSTALLED AND SERVICED BY PROFESSIONALS WHO ARE CERTIFIED IN THE UNITED STATES BY THE NATIONAL FIREPLACE INSTITUTE® (NFI) AS NFI PELLET SPECIALISTS.**
- READ, SAVE AND FOLLOW THE INSTRUCTIONS IN THIS MANUAL. IT CONTAINS IMPORTANT SAFETY, OPERATING AND MAINTENANCE INSTRUCTIONS YOU WILL NEED.
- FOR YOUR PROTECTION AND WELL BEING, HEARTHLAND PRODUCTS RECOMMENDS INSTALLING A SMOKE DETECTOR AS WELL AS A CARBON MONOXIDE DETECTOR IN THE SAME ROOM AS YOUR PELLET APPLIANCE.
- WHEN INSTALLED IN A MOBILE HOME, THE STOVE MUST BE BOLTED TO THE FLOOR AND SUPPLIED WITH OUTSIDE AIR. **UNDER NO CIRCUMSTANCES SHOULD IT BE INSTALLED IN A BEDROOM** (*Installation shall be in accordance with the Manufacturers Home & Safety Standard (HUD) CFR3280, part 24.*)
- **NEVER** TRY TO REPAIR OR REPLACE ANY PART OF THE STOVE UNLESS INSTRUCTED TO DO SO BY THE HEARTHLAND CUSTOMER SERVICE DEPARTMENT. WE RECOMMEND THAT OUR PELLET HEARTH PRODUCTS BE INSTALLED AND SERVICED BY PROFESSIONALS WHO ARE CERTIFIED IN THE UNITED STATES BY THE NATIONAL FIREPLACE INSTITUTE® (NFI) AS NFI PELLET SPECIALISTS.
- **STOVES ARE DANGEROUSLY HOT.** YOUNG CHILDREN SHOULD BE SUPERVISED WHEN THEY ARE IN THE SAME ROOM AS THE STOVE.
- THE HEARTHLAND STOVE IS DESIGNED AND APPROVED FOR **PELLETIZED WOOD FUEL** ONLY. ANY OTHER TYPE OF FUEL BURNED IN THIS STOVE WILL VOID THE WARRANTY AND SAFETY LISTING. KEEP FOREIGN OBJECTS OUT OF THE HOPPER.
- **NEVER** USE GASOLINE, GASOLINE-TYPE LANTERN FUEL, KEROSENE, CHARCOAL LIGHTER FLUID, OR SIMILAR LIQUIDS TO START A FIRE IN THIS HEATER. KEEP ALL SUCH LIQUIDS WELL AWAY FROM THE HEATER WHILE IT IS IN USE.
- DO NOT INSTALL IN A LOCATION WHERE GASOLINE OR ANY OTHER FLAMMABLE VAPORS OR GASSES ARE PRESENT. (NFPA 211, 2010, 12.2.3)
- DO NOT INSTALL IN A GARAGE. (NFPA 211, 2010, 12.2.3)
- THE HEARTHLAND STOVE IS DESIGNED TO USE A STANDARD 115 VOLT 3-PRONG GROUNDED ELECTRICAL OUTLET. **A GROUNDED SURGE PROTECTOR IS STRONGLY RECOMMENDED TO PREVENT DAMAGE TO YOUR STOVE IN THE EVENT OF LIGHTNING OR OTHER POWER SURGE INSTANCES.**
- **NEVER** USE AN ADAPTER PLUG OR SEVER THE GROUNDING PRONG ON THE ELECTRICAL PLUG.
- **NEVER** ROUTE THE ELECTRICAL CORD UNDERNEATH, IN FRONT OF, OVER THE STOVE OR OVER THE EXHAUST PIPING.
- **IF YOU SUSPECT A MALFUNCTION PUSH THE "OFF" TOUCH PAD, ALLOW THE STOVE TO COOL AND INSPECT THE STOVE. IF THE MALFUNCTION PERSISTS UNPLUG THE UNIT AND CALL YOUR AUTHORIZED DEALER.**
- THE HEARTHLAND STOVE WILL NOT OPERATE DURING A POWER OUTAGE UNLESS ATTACHED TO A CORRECTLY SIZED GENERATOR OR BATTERY BACKUP. IF A POWER OUTAGE OCCURS, OPEN A WINDOW TO VENT ANY SMOKE FROM THE ROOM. **NEVER** OPERATE THE STOVE IF YOU SMELL SMOKE COMING FROM ANYWHERE ON THE STOVE. IF THIS OCCURS TURN YOUR STOVE OFF AND CALL YOUR AUTHORIZED DEALER.
- **CAUTION:** FUEL IS FED TO THE FIREBOX BY A SCREW AUGER DRIVEN BY A HIGH TORQUE MOTOR. THIS AUGER CAN START AND STOP WITHOUT WARNING WHILE STOVE IS IN OPERATION. **NEVER** PUT FINGERS IN OR NEAR PELLET FEED AUGER, AS SERIOUS INJURY COULD OCCUR. **NOTE: YOUR HEARTHLAND STOVE IS EQUIPPED WITH A HOPPER MOUNTED CUT OFF SWITCH** WHICH PREVENTS THE AUGER FROM RUNNING WHEN HOPPER LID IS OPEN. DO NOT TAMPER WITH THIS SWITCH.

GENERAL INFORMATION (CONTINUED)



IMPORTANT

- **SHUT STOVE OFF** IF THE FIREPOT OVERFILLS WITH PELLETS OR THE FLAME BECOMES DARK AND SOOTY. THIS INDICATES POOR FUEL COMBUSTION AND THE CAUSE SHOULD BE INVESTIGATED AND REMEDIED. (SEE TROUBLE SHOOTING TIPS FOR POSSIBLE CAUSES)
- IT'S CRITICAL FOR PROPER OPERATION THAT YOU **MAINTAIN UNOBSTRUCTED AIRFLOW THROUGH THE INTAKE VENTS** OF THE STOVE. THE VIEWING DOOR AND ASH PAN MUST BE CLOSED AND LATCHED DURING OPERATION. NEVER ABUSE THE DOOR BY SLAMMING IT SHUT.
- THE PELLET APPLIANCE EXHAUST SYSTEM WORKS WITH **NEGATIVE** COMBUSTION CHAMBER PRESSURE AND **POSITIVE** EXHAUST VENT PRESSURE. THE EXHAUST SYSTEM MUST BE COMPLETELY GASTIGHT AND PROPERLY INSTALLED. ALL EXHAUST VENT JOINTS MUST BE TIGHTLY SEALED WITH HI-TEMP (600°F) RTV SILICONE SEALANT UNLESS OTHERWISE SPECIFIED BY THE VENT MANUFACTURER.
- FOR REQUIRED PERIODIC MAINTENANCE AND CLEANING REFER TO SECTION #6 "MAINTENANCE & REQUIRED CLEANING" OF THIS MANUAL. FAILURE TO MAINTAIN YOUR STOVE MAY LEAD TO POOR OPERATION AND EXHAUST FUME LEAKAGE INTO YOUR HOME. **USE REPLACEMENT COMPONENTS THAT ARE AUTHORIZED BY HEARTHLAND PRODUCTS, LLC.**
- **ALWAYS DISCONNECT** POWER FROM YOUR STOVE BEFORE PERFORMING ANY MAINTENANCE. POWER CORD MUST BE UNPLUGGED. PUSHING "OFF" TOUCH PAD DOES NOT DISCONNECT ALL POWER TO THE STOVE.
- **TO AVOID ACCIDENTAL FIRE, DO NOT** PLACE ANY FLAMMABLE ITEM ON OR NEAR THE STOVE.
- TO PREVENT BURNS, **MAINTENANCE OR CLEANING, SHOULD ONLY BE PERFORMED ON A COOL STOVE.**
- **HEARTHLAND PRODUCTS GRANTS NO WARRANTY, IMPLIED OR STATED, FOR THE MAINTENANCE OR INSTALLATION OF YOUR STOVE, AND ASSUMES NO RESPONSIBILITY WHATSOEVER OF ANY CONSEQUENTIAL DAMAGE TO STOVE OR ITS SURROUNDINGS.**
- **DISPOSAL OF ASHES:** ASHES SHOULD BE PLACED IN A METAL CONTAINER WITH A TIGHT FITTING LID. THE CLOSED CONTAINER OF ASHES SHOULD BE PLACED ON A NONCOMBUSTIBLE FLOOR OR ON THE GROUND, WELL AWAY FROM ALL COMBUSTIBLE MATERIALS, PENDING FINAL DISPOSAL. IF ASHES ARE DISPOSED OF BY BURIAL IN SOIL OR OTHERWISE LOCALLY DISPERSED, THEY SHOULD BE RETAINED IN THE CLOSED CONTAINER UNTIL ALL CINDERS HAVE BEEN THOROUGHLY COOLED.
- **VACUUM:** UNDER NO CIRCUMSTANCES SHOULD THE APPLIANCE BE VACUUMED WITH A HOUSEHOLD OR SHOP TYPE VACUUM. THEY CONTAIN COMBUSTIBLE COMPONENTS AND ARE NOT DESIGNED TO HANDLE ASH. MOREOVER, THE FILTERS USED IN HOME VACUUMS WILL NOT CAPTURE THE FINE PARTICLES CONTAINED IN ASH RESULTING IN ASH DEPOSITS IN THE HOME. HLP RECOMMENDS THE USE OF AN ASH VACUUM SPECIFICALLY DESIGNED TO HANDLE ASH.
- **SOOT AND FLY ASH: FORMATION AND NEED FOR REMOVAL.** THE PRODUCTS OF COMBUSTION WILL CONTAIN SMALL PARTICLES OF FLY ASH. THE FLY ASH WILL COLLECT IN THE EXHAUST VENTING SYSTEM AND RESTRICT THE FLOW OF FLUE GASES. INCOMPLETE COMBUSTION, SUCH AS DURING STARTUP, SHUTDOWN, OR INCORRECT OPERATION OF THE ROOM HEATER WILL LEAD TO SOME SOOT FORMATION WHICH WILL COLLECT IN THE EXHAUST VENTING SYSTEM. THE EXHAUST VENTING SYSTEM SHOULD BE INSPECTED AT LEAST ONCE A EVERY YEAR TO DETERMINE IF CLEANING IS NECESSARY.



IMPORTANT

- ***PAIN T CURING: YOUR STOVE HAS BEEN PAINTED USING STOVE BRIGHT HIGH TEMPERATURE STOVE PAINT. THIS PAINT IS NOT FULLY CURED UNTIL THE STOVE IS FIRED (3) TIMES. THE INITIAL (2) STOVE BURNS SHOULD BE AT HEAT SETTING 1 FOR 30 MINUTES. BETWEEN BURNS TURN OFF THE STOVE AND ALLOW PAINTED SURFACES TO COOL TO ROOM TEMPERATURE. THE THIRD BURN SHOULD BE AT HEAT SETTING 3 FOR A MINIMUM OF 45 MINUTES. DURING THE CURING PROCESS FUMES WILL BE GIVEN OFF. OPEN WINDOWS AND DOORS AND USE FANS TO PROVIDE FRESH AIR WHILE CURING. FUMES WILL CONTINUE TO DIMINISH OVER THE FIRST 24 TO 48 HOURS OF USE.***

GENERAL INFORMATION (CONTINUED)

1.2 SAFETY LISTING:

In accordance with the procedures and specifications listed in ASTM E1509-04, ULC/ORD-C1482-M1990, and ULC S627-00 for solid fuel room stove, Hearthland Products, pellet stoves have been independently listed by Omni Test Laboratories, Inc. Portland, Oregon (an accredited testing laboratory). It is tested and listed for residential installation according to current national and local building codes as:

- FREESTANDING ROOM HEATER
- ROOM HEATER, PELLET FUEL-BURNING TYPE, ALSO FOR USE IN MOBILE HOMES

The Safety Listing Label is located on the rear panel . Read the label carefully. It contains information about the installation and operation of your stove. The stove's serial number is located on the safety label. Your serial number is preceded by a "OMNI-" (example OMNI-00000). (see diagram). Record your serial number here for future reference: _____

GENERAL INFORMATION (CONTINUED)



Made in USA

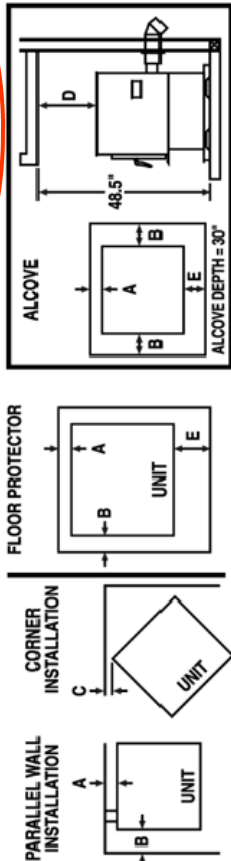
DO NOT REMOVE OR COVER THIS LABEL / NE PAS RETIRER NI CACHER CETTE ÉTIQUETTE

LISTED PELLET BURNING SPACE HEATER
ROOM HEATER, PELLET FUEL-BURNING TYPE, ALSO FOR USE IN MOBILE HOMES

MODELS: / MODÈLES:
 ITASCA NOKOMIS HIAWATHA

OMNI-

TESTED PER ASTM E1509-04, ULC S627-00, ULC/ORD-C1482-M1990
THIS PELLET BURNING APPLIANCE HAS BEEN TESTED AND LISTED FOR USE
IN MANUFACTURED HOMES IN ACCORDANCE WITH OREGON ADMINISTRATIVE
RULES 814-23-900 THROUGH 814-23-909.F



INSTALL AND USE ONLY IN ACCORDANCE WITH HEARTHLAND'S INSTALLATION AND OPERATING INSTRUCTIONS.
CONTACT LOCAL BUILDING OR FIRE OFFICIALS ABOUT RESTRICTIONS AND INSTALLATION INSPECTION IN YOUR AREA.

FOR USE WITH ONLY 1/4" (6mm) - 5/16" (10mm) DIAMETER x 1.5" LENGTH MAXIMUM PELLETIZED WOOD FUEL.
USE OF OTHER FUEL MAY DAMAGE UNIT AND CAUSE A HAZARDOUS CONDITION.

MAX. INPUT RATING APPROXIMATELY 5.9 LBS. PER HOUR USING 8,500 - 8,770 BTU/LB OF PELLET FUEL.
MAX. INPUT RATING APPROXIMATELY 51,330 BTUs PER HOUR.

INSTALL ON A NON-COMBUSTIBLE FLOOR PROTECTOR EXTENDING UNDER THE APPLIANCE AND BEYOND THE FRONT
PER DIAGRAM ABOVE. DO NOT OBSTRUCT SPACE UNDER UNIT. USE A NON-COMBUSTIBLE FLOOR PROTECTOR
EXTENDING BENEATH AND TO THE FRONT OF THE UNIT PER DIAGRAM ABOVE.

DO NOT CONNECT THIS UNIT TO A CHIMNEY FLUE SERVING ANOTHER APPLIANCE!
VENTING SYSTEM: TYPE PL VENTING SYSTEM MUST BE USED. CLEARANCES FROM THE PL VENT ARE AS PER THE VENT
SYSTEM MANUFACTURER'S INSTRUCTIONS. SEE LOCAL BUILDING CODE AND APPLIANCE AND VENT MANUFACTURER'S
INSTRUCTIONS FOR PRECAUTIONS TO BE FOLLOWED IN PASSING A VENTING SYSTEM THROUGH A COMBUSTIBLE
WALL OR CEILING.

UNDER CERTAIN CONDITIONS OF USE, CREOSOTE BUILDUP MAY OCCUR RAPIDLY, INSPECT AND CLEAN VENTING
SYSTEM FREQUENTLY.
OPERATE UNIT ONLY WITH DOOR FULLY CLOSED AND ASH PAN SECURELY IN PLACE. REPLACE GLASS WITH CERAMIC
GLASS ONLY.

RATING: 120 VOLTS, 5.5 AMPS, 60 HZ. ROUTE POWER SUPPLY CORD AWAY FROM UNIT.

LIGHTING/SHUTDOWN INSTRUCTIONS:

TO TURN ON: PRESS 'START' BUTTON.
SET 'HEAT LEVEL' AND 'FAN SPEED' AS DESIRED.
TO TURN OFF: PRESS 'OFF'.
REFER TO OPERATOR'S MANUAL FOR ADDITIONAL DETAILS.

**CAUTION: MOVING PARTS MAY CAUSE INJURY! DO NOT
OPERATE WITH SIDE OR REAR ACCESS PANELS REMOVED!
DANGER: RISK OF ELECTRIC SHOCK! DISCONNECT POWER
BEFORE SERVICING UNIT!**

**WARNING: HOT PARTS! DO NOT OPERATE WITH SIDE OR
REAR ACCESS PANELS REMOVED!**

MANUFACTURED BY: HEARTHLAND PRODUCTS, LLC
9111 GRAND AVE. SOUTH
BLOOMINGTON, MN 55420 USA



HEARTHLAND
HEARTHLAND PRODUCTS, LLC
www.hearthlandproducts.com

DATE OF FABRICATION / DATE DE FABRICATION

2010 2011 2012 JAN FEB MAR APR MAY JUN JUL AUG SEP OCT NOV DEC

POÈLE À CONVECTION HOMOLOGUÉ À GRANULES
POÈLE À CONVECTION À GRANULES, CONVÉNANT ÉGALEMENT AUX MAISONS MOBILES
TESTÉ CONFORME À: ASTM E1509-04, ULC S627-00, ULC/ORD-C1482-M1990
CET APPAREIL DE CHAUFFAGE À GRANULES A ÉTÉ TESTÉ ET HOMOLOGUÉ POUR USAGE DANS
DES MAISONS PRÉFABRIQUÉES, CONFORMÉMENT AUX RÈGLEMENTS DE L'ORÉCON 814-23-900 À 814-23-909 INCLUSIVEMENT.

MINIMUM CLEARANCES TO COMBUSTIBLES / DÉGAGEMENTS MINIMUM JUSQU'À TOUT MATÉRIAU COMBUSTIBLE

- A. 2 IN/PO (50mm) - BACK WALL TO APPLIANCE
- B. 6 IN/PO (152mm) USA, 8 IN/PO (200mm) CANADA - SIDE WALL TO APPLIANCE
- C. 2 IN/PO (50mm) - WALL TO APPLIANCE CORNER
- D. 16 IN/PO (406mm) - OVERHANG TO APPLIANCE
- E. 6 IN/PO (152mm) USA, 18 IN/PO (450mm) CANADA - COMBUSTIBLES TO APPLIANCE FRONT

INSTALLER ET UTILISER UNIQUEMENT CONFORMÉMENT AUX CONSIGNES D'INSTALLATION ET D'UTILISATION DE
HEARTHLAND. CONTACTER LES AUTORITÉS DU BÂTIMENT OU DES INCENDIES POUR EN SAVOIR PLUS SUR LES
RESTRICTIONS ET INSPECTIONS DANS VOTRE SECTEUR.

UTILISER UNIQUEMENT AVEC DES GRANULES DE BOIS 1/4-5/16 PO (6-10 mm) DE DIAMÈTRE ET 1,5 PO (3,8 CM) LONGUEUR MAX.
L'USAGE DE TOUT AUTRE CARBURANT POURRAIT ENDOMMAGER L'APPAREIL ET CONSTITUER UN DANGER.
CONSOMMATION THERMIQUE MAX. ENVIRON 5,9 LBH AVEC GRANULES 8500 - 8700 BTU/LB. CONSOMMATION THERMIQUE
MAX. ENVIRON 51 330 BTU/H.

INSTALLER SUR UN PROTÈGE-PLANCHER NON COMBUSTIBLE SOUS L'APPAREIL ET DÉPASSANT SA PARTIE AVANT
(VOIR DIAGRAMME), NE PAS BLOQUER L'ESPACE SOUS L'APPAREIL. UTILISER UN PROTÈGE-PLANCHER NON COMBUSTIBLE
SE PROLONGEANT SOUS L'APPAREIL ET, JUSQU'À SA PARTIE AVANT (VOIR DIAGRAMME).

NE PAS RACCORDER CETTE UNITÉ À UN CIRCUIT DE FUMÉE DESSERVANT UN AUTRE APPAREIL!
CIRCUIT D'ÉVACUATION D'AIR: UN CIRCUIT DE TYPE PL DOIT ÊTRE UTILISÉ. LES DÉGAGEMENTS DU CIRCUIT D'ÉVACUATION
PL SONT CONFORMES AUX INSTRUCTIONS DE SON FABRICANT. CONSULTER LE CODE DU BÂTIMENT LOCAL ET LES
INSTRUCTIONS DU FABRICANT DE L'APPAREIL ET DU CIRCUIT D'ÉVACUATION D'AIR POUR CONNAÎTRE LES PRÉCAUTIONS
LORS DU PASSAGE D'UN TEL CIRCUIT DANS UN MUR OU UN PLAFOND COMBUSTIBLE.

DANS CERTAINES CONDITIONS D'USAGE, UNE ACCUMULATION RAPIDE DE CRÉOSOTE PEUT SE PRODUIRE. INSPECTER
ET NETTOYER FRÉQUEMMENT LE CIRCUIT D'ÉVACUATION.

UTILISER UNIQUEMENT LORSQUE LA PORTE EST COMPLÈTEMENT FERMÉE ET QUE LE CENDRIER EST BIEN EN
PLACE. NE REMPLACER LE VERRE QU'AVEC DE LA VITROCERAMIQUE.

COTE : 120 VOLTS, 5,5 AMPÈRES, 60 HZ. ACHÉMINER LE CORDON D'ALIMENTATION À L'ÉCART DE L'APPAREIL.

INSTRUCTIONS D'ALLUMAGE/ARRÊT :

ALLUMAGE : APPUYER SUR LE BOUTON « START ».
RÉGLER LE NIVEAU DE CHALEUR « HEAT LEVEL » ET VITESSE DU VENTILATEUR « FAN SPEED » AU BESOIN.
ARRÊT : APPUYEZ SUR « OFF ».
CONSULTER LE MANUEL DU PROPRIÉTAIRE POUR PLUS DE DÉTAILS.

**MISE EN GARDE : LES PIÈCES MOBILES PEUVENT CAUSER DES BLESSURES! NE PAS UTILISER
SI LES PANNEAUX LATÉRAUX OU ARRIÈRE SONT ENLEVÉS!**

**DANGER : RISQUE DE CHOC ÉLECTRIQUE! COUPER L'ALIMENTATION ÉLECTRIQUE AVANT
D'ENTREtenir L'APPAREIL!**

**AVERTISSEMENT : PIÈCES CHAUDES! NE PAS UTILISER SI LES PANNEAUX LATÉRAUX OU
ARRIÈRE SONT ENLEVÉS!**

CAUTION



- HOT WHILE IN OPERATION.
- DO NOT TOUCH. KEEP CHILDREN, CLOTHING, AND FURNITURE AWAY.
- CONTACT MAY CAUSE SKIN BURNS. SEE NAMEPLATE AND INSTRUCTIONS.

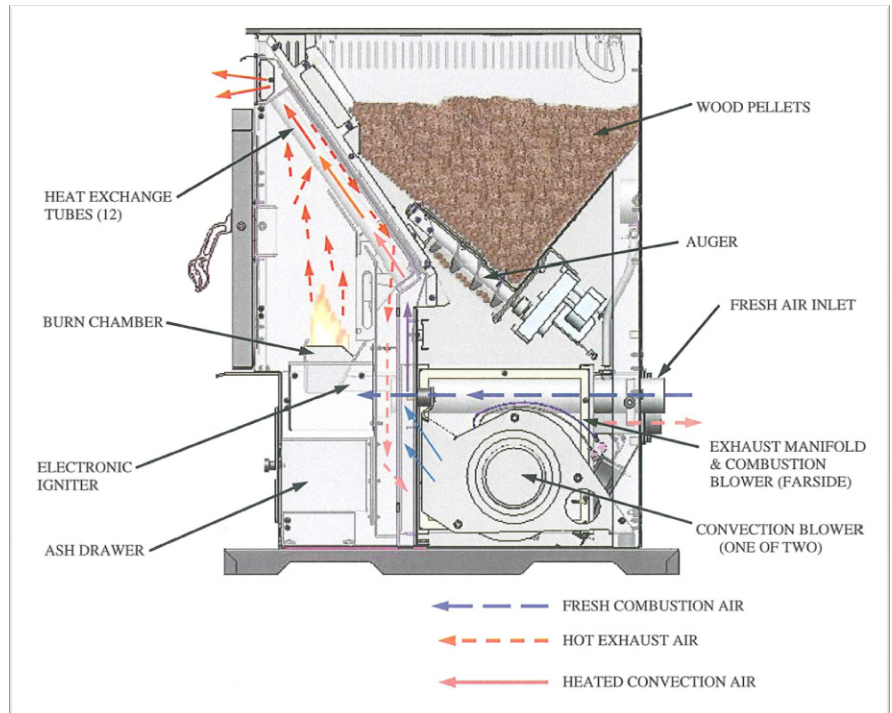
YS0951_F

GENERAL INFORMATION (CONTINUED)

1.3 HOW YOUR HEARTHLAND STOVE WORKS:

The operation and maintenance of your **Hearthland pellet fuel appliance** is unique and should not be considered to be like a wood, coal, gas, electric, propane or oil burning stove appliance.

Wood pellet fuel is stored in the hopper. An auger delivers the fuel to the burn grate. The fuel rate, or heat output, is set by adjusting the **Heat Level** touch pad, (settings 1 to 4). A blower provides combustion air to the burn grate. The proper amount of combustion air is supplied to the burn grate automatically and changes as the Heat Level changes. The higher the **Heat Level**, the larger the amount of combustion air. The fuel burns in the burn grate, producing heat. The heat passes around the heat exchange tubes and is blown into the room by the convection fan. Exhaust gases exit through the stove's exhaust vent.

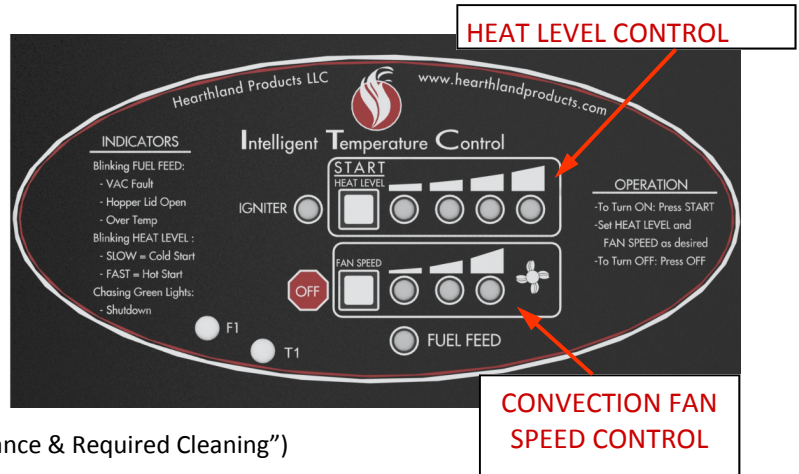


The Hearthland's heat output can be adjusted from **Heat Level** setting 1-4, by pressing on the Heat Level touch pad.

The convection fan can be adjusted using the **Fan Speed** touch pad to run faster or slower to correspond to the amount of heat desired.

To turn off the stove, simply press "OFF" on the touchpad, and the unit will enter shutdown mode until it has sufficiently cooled.

With uninterrupted fuel supply and proper performance of **cleaning**, your stove can run efficiently over extended periods of time. (See Section #6 "Maintenance & Required Cleaning")



IMPORTANT

- YOUR **HEARTHLAND STOVE** IS DESIGNED TO BURN ONLY PREMIUM GRADE WOOD PELLETS THAT COMPLY TO ASSOCIATION OF PELLET FUEL INDUSTRIES STANDARDS. (SEE SECTION #5.1 "WOOD PELLET SPECIFICATIONS")
- DO NOT TRY TO OPERATE YOUR STOVE WITH VIEWING DOOR OPEN. PELLETS WILL NOT FEED UNDER THESE CIRCUMSTANCES AND A SAFETY CONCERN MAY ARISE FROM SPARKS OR FUMES ENTERING ROOM.
- IF YOU ARE NOT DRAWING COMBUSTION AIR FROM OUTSIDE, CARE MUST BE TAKEN TO ALLOW FOR ADEQUATE AIR MAKE UP, TO AVOID POSSIBLE ROOM AIR STARVATION WHEN STOVE OR OTHER EXHAUST FANS ARE IN OPERATION.
- IT IS HIGHLY RECOMMENDED THAT YOU INSTALL A HIGH QUALITY **SMOKE DETECTOR AND CARBON MONOXIDE DETECTOR** IN THE ROOM WHERE STOVE IS INSTALLED. CARE SHOULD BE TAKEN TO MAKE SURE DETECTORS ARE IN WORKING ORDER AT ALL TIMES.

GENERAL INFORMATION (CONTINUED)

1.4 AUTOMATIC SAFETY FEATURES:

Shutdown Mode

This mode stops the auger fuel feed system and runs the combustion blower & convection fan for 10 minutes or until the stove exhaust cools below 120° F, at which point all electrical components will be off. Shutdown mode occurs when “OFF” is pressed on the touchpad or from other causes. If this happens unintentionally, find and correct the cause and press start on the touchpad. (See Section #9 “Troubleshooting”)

Hopper Lid Switch

This device is mounted on the right side of the hopper opening. When the hopper door is open, the switch stops the auger feed system. If the hopper door is left open for more than one minute, the unit will enter shut-down mode. If this happens unintentionally, simply close the door and press start on the touchpad.

Vacuum Switch

The vacuum switch ensures that the vacuum of the entire combustion system is maintained. The switch is located on the inner rear wall of the unit and takes a measurement from the fresh air intake tube. If the vacuum switch fails to read adequate negative pressure for more than one minute, the unit will enter shut down mode. This feature ensures that the stove will not operate with the door ajar or the ash pan tightened incompletely. NOTE: If left open during operation for more than 60 seconds, the stove will enter shutdown mode. If this happens, find and correct the cause and press start on the touchpad. (See Section #9 “Troubleshooting”)

Intelligent Temperature Controller (ITC)

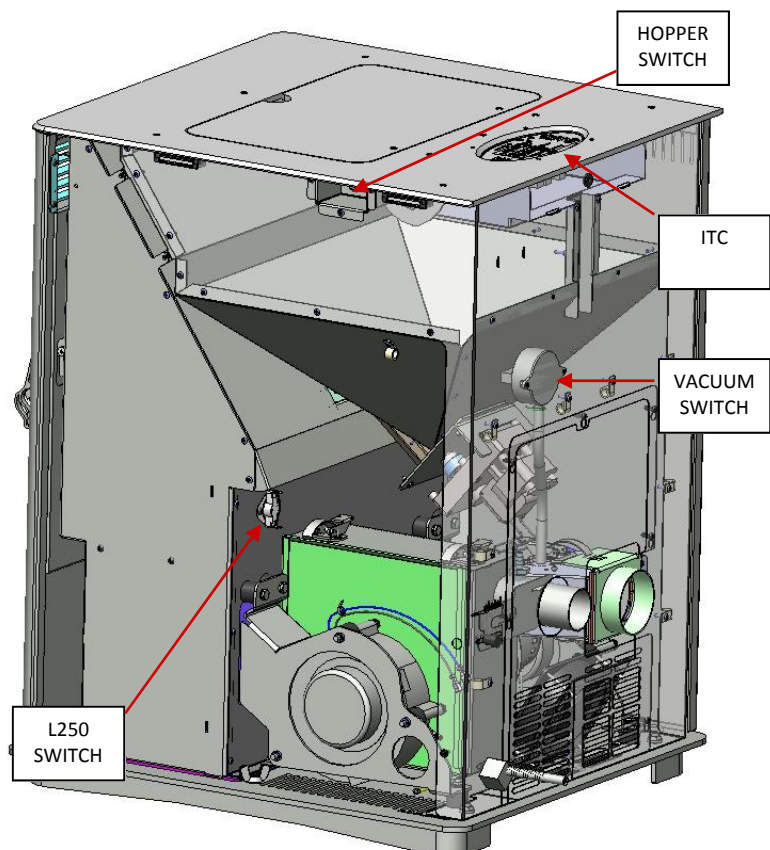
The ITC feature of your stove monitors the exhaust temperature and adjusts fuel feed accordingly to maintain consistent heat output temperatures. In this manner, the ITC is able to regulate stove heat settings with great accuracy, compensating for variations in fuel such as size and BTU content as well as optimizing fuel efficiency and preventing over-firing.

L250 High Limit Switch

Your pellet appliance has a high temperature limit switch as an added safety measure if the ITC were to fail. If the temperature at this location exceeds 250° F, the unit will enter shut down mode. If this occurs, find and correct the cause and press start on the touchpad. (See Section #9 “Troubleshooting”)

Power Loss Memory

If the power is lost during operation, the stove will stop running and the fire will extinguish. When the power is restored, the stove will restart and return to the heat and fan setting it was operating at before power was lost.



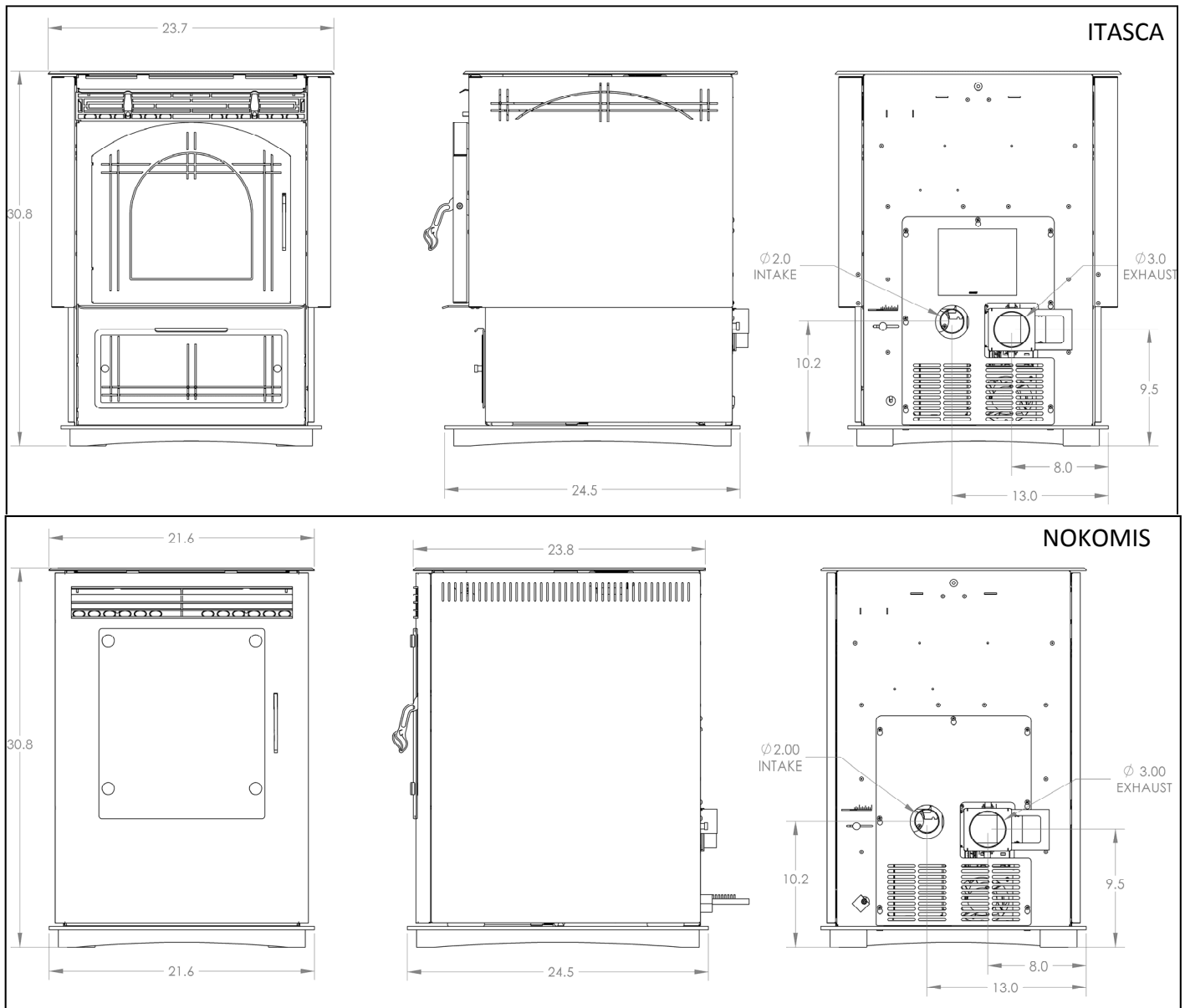
GENERAL INFORMATION (CONTINUED)

1.5 SPECIFICATIONS:

Heating capacity (sq. feet) *	Up To 2,500	Weight Itasca (lbs)	265
Fuel burn rate per hour **	1.25—6.4 lbs	Weight Nokomis (lbs)	254
BTU Input	10,000 - 51,300	Air Intake Diameter	2"
Hopper Capacity	70 lbs	Exhaust Diameter	3"
Hopper burn time at lowest setting**	56 hrs	Efficiency	78%

*Heating capacity will vary depending on such factors as the layout of your home, air circulation, degree of insulation, and outside temperature .

**Pellet BTU content will affect the actual rate of fuel feed and burn times.



1.6 Electrical Information

Your stove is wired at the factory for 120 V, 60 Hz operation, 5.5 amps at startup . Connect to a 120V, 15 A circuit and use a 15 A time delay fuse or circuit breaker. It is recommended to use a ground fault outlet (GFCI) and a surge protector.

PREPARATION FOR INSTALLATION

2.1 PRE-INSTALLATION CHECK LIST:

We recommend that our pellet hearth products be installed and serviced by professionals who are certified in the United States by the National Fireplace Institute® (NFI) as NFI Pellet Specialists.

Hearthland Products neither grants or implies any warranty or responsibility for faulty installations.

COMPLETE THIS CHECK LIST PRIOR TO INSTALLING YOUR HEARTHLAND STOVE:

- Carefully read and save this "Owners Manual".
- Have your local Dealer demonstrate your Hearthland's operation, cleaning and maintenance steps.
- Select a location.
- The installation of this appliance must conform to local codes and applicable state and federal requirements. Becoming familiar with these requirements before installation is essential.
- Select a location for the stove that adheres to required safety clearances.
- Ensure the stove must be placed on a properly sized UL 1618 listed 'Type I' Floor protector or equivalent.
- Attach proof of purchase to this manual and save for warranty questions.

COMPLETE THIS CHECK LIST WHILE INSTALLING YOUR HEARTHLAND STOVE:

- Read the Installation sections of this manual.
- Determine the location and measurements needed to install the stove in your chosen location.
- Pre-fit all items before you install, fasten or install the stove permanently.
- Make sure ALL joints of the venting are gas tight and sealed with High Temp (600°F) RTV Silicone unless otherwise specified by the vent manufacturer.
- Make sure all venting components are correctly installed per the vent manufacturer's instructions.

COMPLETE THIS CHECK LIST, BEFORE LIGHTING YOUR FIRST FIRE:

- Obtain final inspection and approval by local building officials.
- Remove packaging materials from with-in the burn chamber.
- Make sure that stove is connected to a surge protection unit.
- Carefully clean all marks off the painted and polished metal parts before the first firing. Use a soft cloth and a mild cleaner. Failure to do so may result in marks or finger prints being permanently visible on the surface. Caution: Never use an abrasive cleaner on any part of your stove.
- Clean and wipe the hopper to remove any debris or residual oil from the manufacturing process.
- Fill the hopper with premium grade pellets. (*See section #4.1 " Filling Hopper With Fuel"*) Close hopper access door.
- Follow the Hearthland's Lighting and Intelligent Temperature Control Instructions. (*See section #4.3 "Starting Stove"*)
- Your stove has been painted using Stove Bright high temperature stove paint. This paint is not fully cured until the stove is fired (3) times. The initial (2) stove burns should be at heat setting 1 for 30 minutes. Between burns turn off the stove and allow painted surfaces to cool to room temperature. The third burn should be at heat setting 3 for a minimum of 45 minutes. During the curing process fumes will be given off. Open windows and doors and use fans to provide fresh air while curing. Fumes will continue to diminish over the first 24 to 48 hours of use.***

PREPARATION FOR INSTALLATION (CONTINUED)

2.2 STOVE LOCATION:

The design of your home and the stove placement will determine its effectiveness as a source of heat. A pellet appliance depends on air circulation to circulate heat. Other practical considerations to be considered before a final placement is determined may include: Existing Chimneys, Fuel Storage, Aesthetics, Roof Design (rafter locations & roof pitch), Room Traffic, Clearances to Combustibles, and Existing Wiring. Keep in mind the following placement concerns; venting obstructions, outside air, electrical outlet, wall thermostat, heat distribution, traffic patterns and room use/size.

This appliance is not designed to be operated in a negative pressure environment. In very airtight homes, a negative pressure can be created by common household devices such as; large kitchen exhaust fans, furnaces, clothes dryers and other fireplaces. Be sure that your home has adequate makeup air to compensate for devices such as these. In an excessively negative pressure environment, the risk exists that the combustion blower would not be able to generate enough negative pressure within the stove to support combustion, in which case the vacuum switch would trigger the stove into shut-down mode.



IMPORTANT

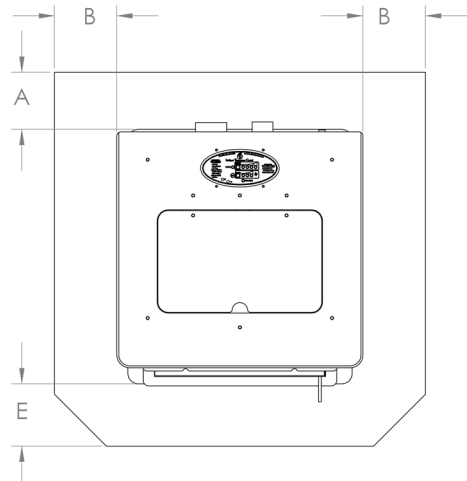
- ⇒ **DO NOT INSTALL IN A LOCATION WHERE GASOLINE OR ANY OTHER FLAMMABLE VAPORS OR GASSES ARE PRESENT.** (NFPA 211, 2010, 12.2.3)
- ⇒ **DO NOT INSTALL IN A GARAGE.** (NFPA 211, 2010, 12.2.3)

2.3 REQUIREMENTS FOR FLOOR PROTECTION :

- ⇒ Stove must be installed on a level, secure, noncombustible surface. (NFPA 211, 2010, 12.5.2.3)
- ⇒ If the flooring of the desired stove location is combustible, then a noncombustible, properly sized, UL 1618 listed 'Type I' floor protector must be used.
- ⇒ The noncombustible floor protector must be contiguous and fully cover the area beneath the stove and beyond the stove per the requirements listed below.

FLOOR PROTECTION MUST EXTEND:

	DISTANCE	DESCRIPTION
A	2"	Beyond rear of the stove and beneath chimney tee and to either side.
B	6"	Beyond sides of the stove (8" in Canada)
E	6"	Beyond front of the stove (18" in Canada)



COMBUSTIBLE FLOOR PROTECTION

THE MINIMUM NONCOMBUSTIBLE FLOORING SIZE:

United States Width = 33 5/8" = 21 5/8" + 6" + 6"

United States Depth = 38 1/2" = 24 1/2" + 6" + 2" + 6" (below tee)

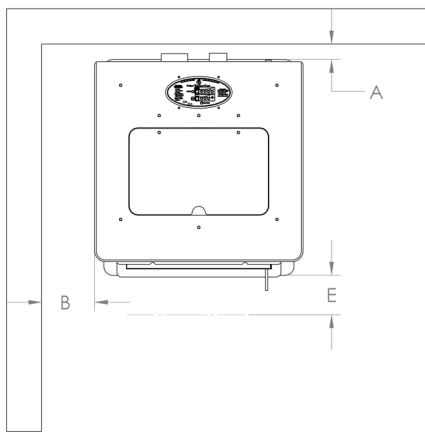
Canada Width = 37 5/8" = 21 5/8" + 8" + 8"

Canada Depth = 50 1/2" = 24 1/2" + 18" + 2" + 6" (below tee)

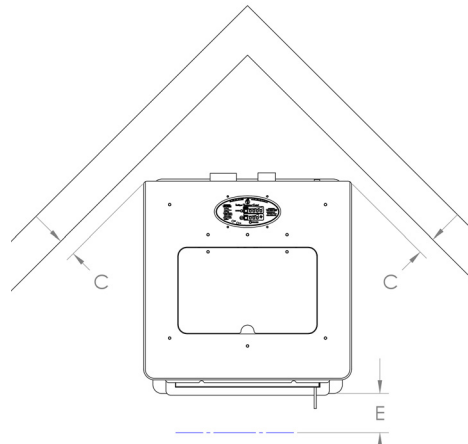
PREPARATION FOR INSTALLATION (CONTINUED)

2.4 STOVE MINIMUM CLEARANCE TO WALLS & COMBUSTIBLES:

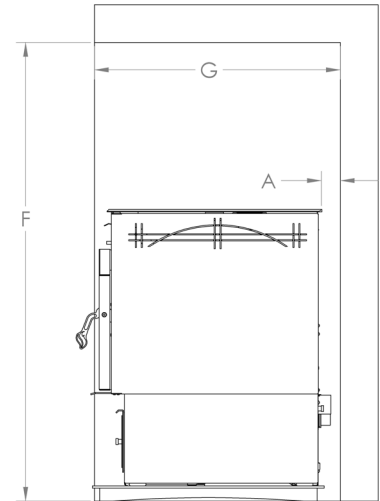
	DISTANCE	DESCRIPTION
A	2"	Clearance to back of stove or from back corner of stove
B	6"	Clearance to side of stove (8" in Canada)
E	6"	Clearance to front of stove (18" in Canada)
F	48.5"	Minimum dimension from base of stove to overhang.
G	30"	Maximum allowable alcove depth.



**PARALLEL TO WALL
INSTALLATION**



**ANGLED TO WALL
INSTALLATION**



ALCOVE INSTALLATION

ADDITIONAL CLEARANCE CONSIDERATIONS:

- ⇒ Allow clearance for venting when determining a location for your stove. Refer to venting pipe manufacturer's installation instructions for vent clearances requirements. **INSTALL VENT AT CLEARANCES SPECIFIED BY THE VENT MANUFACTURER.**
- ⇒ Allow 36" clearance to drapes, doors and anything that can swing toward stove.
- ⇒ Although not required for safety reasons, it is strongly suggested that space around the stove is greater than the minimum clearance requirements to allow for easier access. (NFPA 211, 2010, 12.2.2)

PREPARATION FOR INSTALLATION (CONTINUED)

2.5 VENTING REQUIREMENTS:

- ⇒ Venting must be an approved 3” or 4” Diameter Pellet Vent (“PL” or “L” vent, listed to UL 641 or ULC S609), vented to the outside. This venting is double walled with a stainless steel inner liner. (See method for “DETERMINING VENT DIAMETER REQUIREMENTS” below)
- ⇒ **DO NOT USE CLASS B GAS CHIMNEY OR SINGLE WALL CHIMNEY AS A SUBSTITUTE.**
- ⇒ When venting through an existing masonry chimney, a single wall flexible stainless steel liner or rigid stainless steel liner may be used (Listed to UL 1777, Chimney Liners). The liner must run to the top of the chimney and vent to the outside.
- ⇒ See vent manufacturer’s instructions for installation and minimum clearance specifications. Install venting with a minimum of 3” clearance to combustibles unless otherwise specified by the vent manufacturer.
- ⇒ **All vent joints within the building must be secure and gas tight to prevent leakage of combustion products into a building.** (NFPA 211, 2010, 10.4.5(3))
 - Use two or three screws and High Temp (600°F) RTV Silicone sealant to secure the first vent connection to the stove exhaust ring.
 - Secure and seal the remaining vent joints per the vent manufacturer’s instructions.
 - In addition to joints, every seam in a tee or elbow must also be sealed unless it is designed for positive pressure and has been sealed at the factory.
- ⇒ **DO NOT INSTALL A FLUE DAMPER IN THE EXHAUST VENTING SYSTEM OF THIS UNIT.**
- ⇒ **DO NOT VENT THROUGH A CHIMNEY FLUE SERVING ANOTHER APPLIANCE.** (NFPA 211 2010; 9.8.2)
- ⇒ A single or double cleanout “tee” is recommended for every ninety degree bend in the venting. This will give easy access when cleaning the vent. The exhaust system should be installed so the entire vent system can be cleaned without disassembly.
- ⇒ It is highly recommended that the venting system have a minimum of 3 feet of vertical vent to create natural draft. This is to help prevent the possibility of smoke or odor entering the room in the event of a power outage. Additionally, it is best if the vent system has at least one foot of vertical vent for every foot of horizontal vent.
- ⇒ Total vertical vent height not to exceed 30 feet.
- ⇒ Total horizontal vent length not to exceed 10 feet.

2.6 DETERMINING VENT DIAMETER REQUIREMENTS

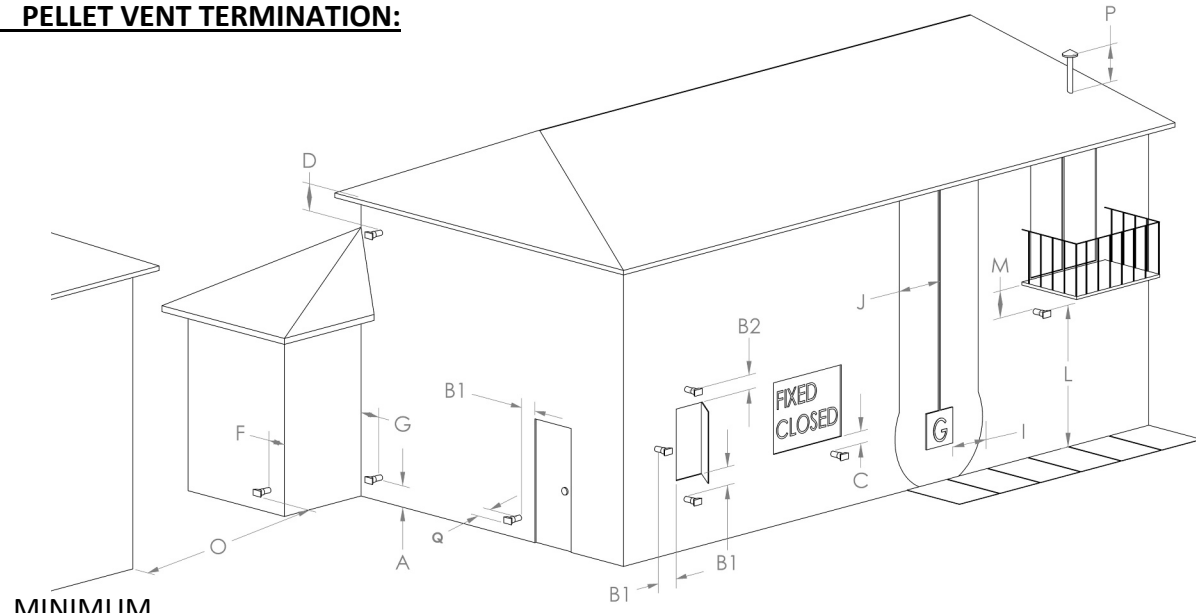
To determine whether your minimum vent diameter is 3” or 4”, calculate your total Equivalent Vent Length (EVL) . (See table below) *Note: Your total EVL should not exceed 30 Equivalent Feet.*

- ⇒ **For installations below 3,000 feet elevation:** If your EVL is 15 Equivalent Feet or less, the minimum venting diameter allowed is 3”. With EVL over 15 Equivalent Feet use 4” diameter vent.
- ⇒ **For installations above 3,000 feet elevation:** If your EVL is 7 Equivalent Feet or less, the minimum venting diameter allowed is 3”. With EVL over 7 Equivalent Feet use 4” diameter vent.

Pellet Venting Component	# of Elbows OR feet of Pipe	Multiply by	Equivalent Feet Multiplier	Component Equivalent Feet
90 Degree or Tee		X	5	
45 Degree		X	3	
Horizontal Pipe		X	1	
Vertical Pipe		X	.5	
				Total Equivalent Vent Length (EVL)

PREPARATION FOR INSTALLATION (CONTINUED)

2.7 PELLET VENT TERMINATION:



MINIMUM
CLEARANCE DESCRIPTION

A	12"	Clearance between bottom of vent terminal and non-combustible grade or any adjacent surface that might support snow, ice, or debris. (24" minimum clearance above combustibles such as grass, tops of plants & wood.) ^{1,2,3}
B1	12"	Below or to the side of any opening into a building such as a door, opening window, non-mechanical air inlet, and the combustion air inlet to any other appliance when combustion intake air is taken from outside. (Minimum 48" clearance if combustion air intake is not from outside) ^{1,2}
B2	12"	Above any opening into a building such as a door, opening window or non-mechanical air inlet. ^{1,2}
C	6"	From any permanently closed window. ¹
D	12"	Vertical clearance to unventilated soffit. (Minimum 18" vertical clearance to ventilated soffit within 24" of soffit vent centerline.) ¹
F	12"	Horizontal clearance to combustible wall outside corner. ¹
G	12"	Horizontal clearance to combustible wall inside corner. ¹
I	36"	Clearance to a gas service regulator vent outlet or to an oil tank vent or an oil tank fill inlet. ^{1,3}
J	36"	Horizontal clearance from the vertical centerline of a gas meter/regulator assembly. ^{1,3}
L	84"	Clearance above any public sidewalk, lane, street, right-of-way, stairway, or landing. ^{1,3}
M	12"	Clearance under veranda, porch, deck or balcony. Permitted only if structure is fully open on a minimum of two sides beneath the floor. ¹
O	24"	Clearance to adjacent buildings, fences and protruding parts of the structure. ^{1,2}
P	12"	Vertical clearance above the highest point where vent passes through the roof. ^{1,2}
Q	12"	Horizontal termination protrusion from the wall unless otherwise specified by the vent manufacturer. ¹

- ⇒ A vent shall not be terminated directly above a sidewalk or paved driveway which is located between two single family dwellings and serves both dwellings.¹
- ⇒ Arrange the exit vent termination so that flue gases are not directed so as to jeopardize people, overheat combustible structures, or enter buildings.^{1,2}
- ⇒ Termination must use a Listed termination cap to reduce the effects of wind and water.

¹ Certain Canadian codes or Local codes may require different clearances.

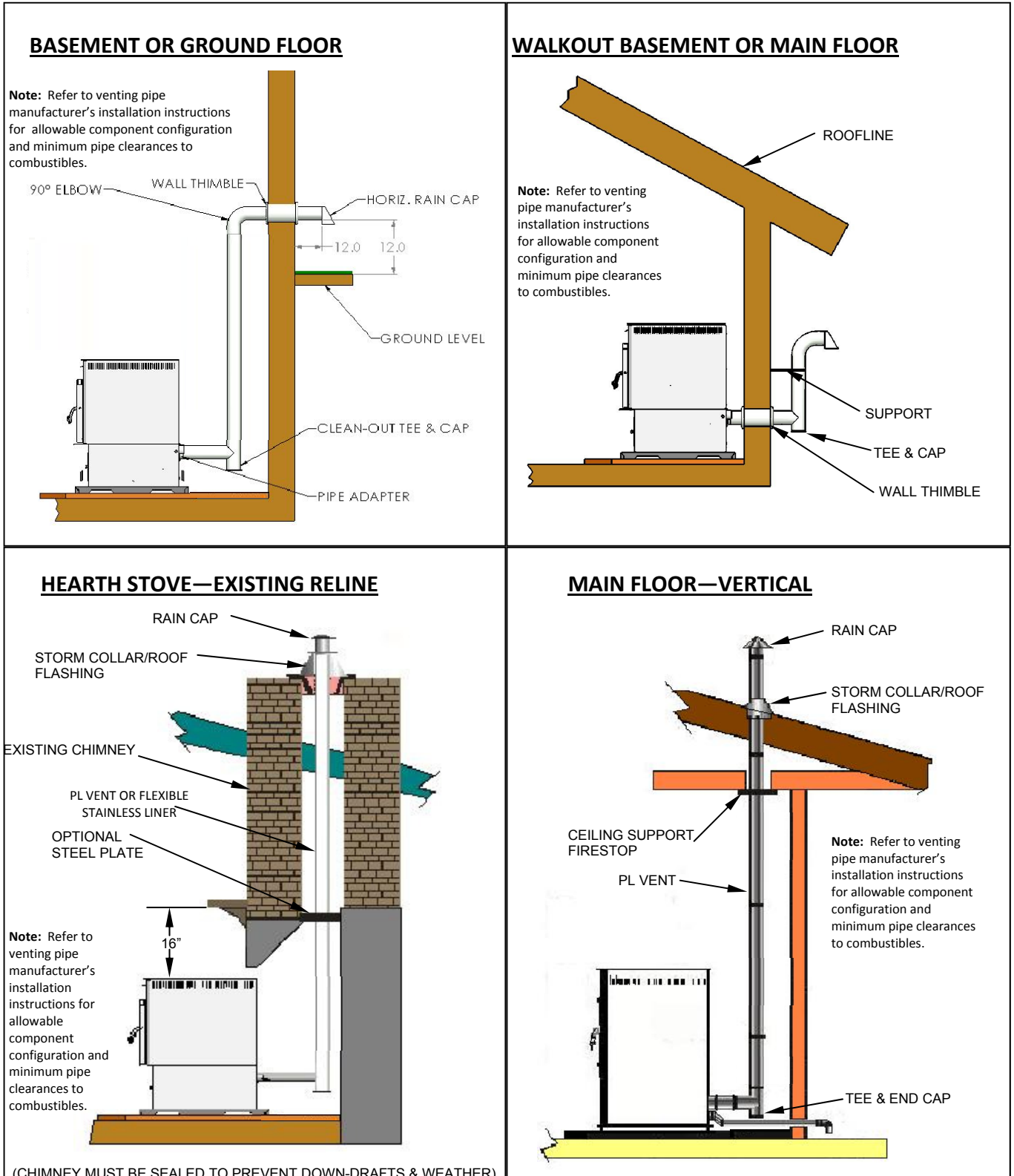
² NFPA 211, 2010, 10.4 & 10.7

³ CSAB365-10, 6.6.1

PREPARATION FOR INSTALLATION (CONTINUED)

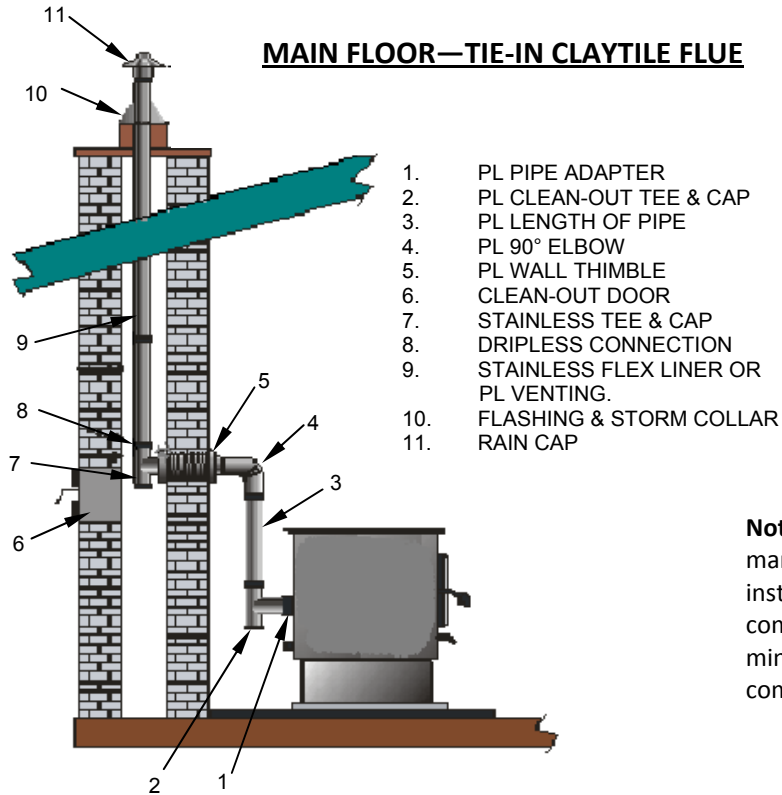
2.8 VENTING CONFIGURATIONS:

The following figures depict several common exhaust vent configurations. Please note that each vent manufacturer has installation instructions and minimum clearance requirements that are unique to their product. Because of this, the following figures might not depict their requirements accurately. Be certain to adhere to the vent manufacturer's instructions and minimum pipe clearance to combustibles requirements.



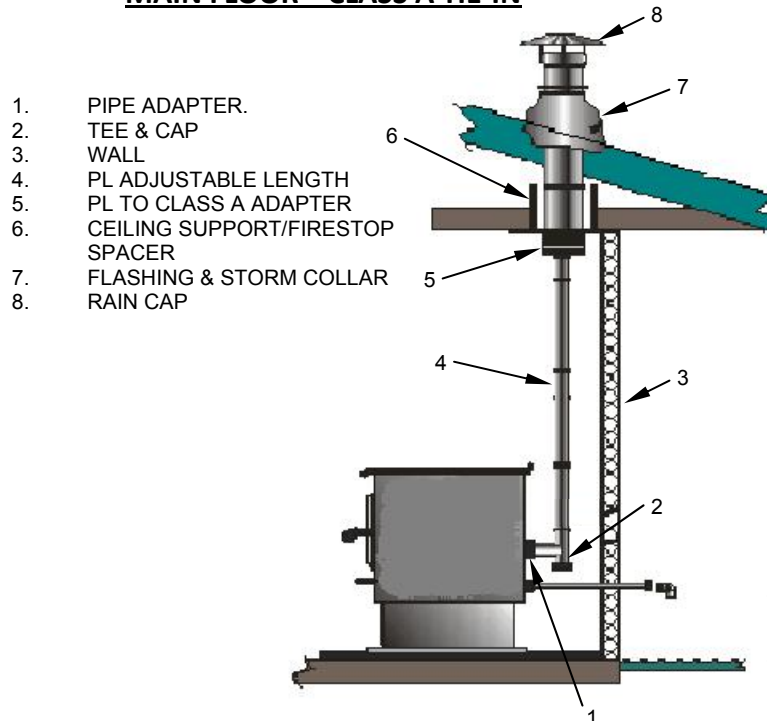
PREPARATION FOR INSTALLATION (CONTINUED)

MAIN FLOOR—TIE-IN CLAY TILE FLUE



Note: Refer to venting pipe manufacturer's installation instructions for allowable component configuration and minimum pipe clearances to combustibles.

MAIN FLOOR—CLASS A TIE-IN



Note: Refer to venting pipe manufacturer's installation instructions for allowable component configuration and minimum pipe clearances to combustibles.

PREPARATION FOR INSTALLATION (CONTINUED)

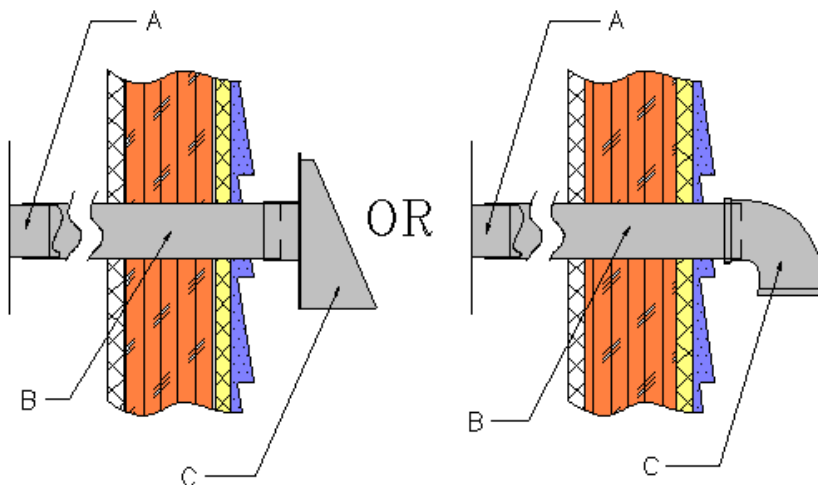
2.9 OUTSIDE AIR INTAKE:

- ⇒ Outside air is recommended for all installations however only required for Mobile Home Installations.
- ⇒ Use metal tubing only, either solid or flexible.(B)
- ⇒ A wind shield, (C), over the termination of the outside air intake pipe or a 90 degree elbow or bend directed away from the prevailing winds **MUST** be used when an outside air pipe is in-stalled through the side of a building.
- ⇒ Keep the outside air pipe termination at least 1 foot away from the exhaust system termination.
- ⇒ Keep bottom of outside air intake termination 12" minimum above grade. (NFPA 211 2010; 10.7.1.3)
- ⇒ Keep the pipe termination clear of debris, ice & snow.
- ⇒ Place a ¼ inch screen over the inlet to prevent debris and/or rodents from entering.
- ⇒ Inspect the termination on a routine basis.
- ⇒ The air intake pipe on your stove is 2" OD. The outside air connecting pipe must be at least 2" ID The outside air connecting pipe must be as short and free of elbows as possible, and **must fit over** the air intake pipe on your stove.

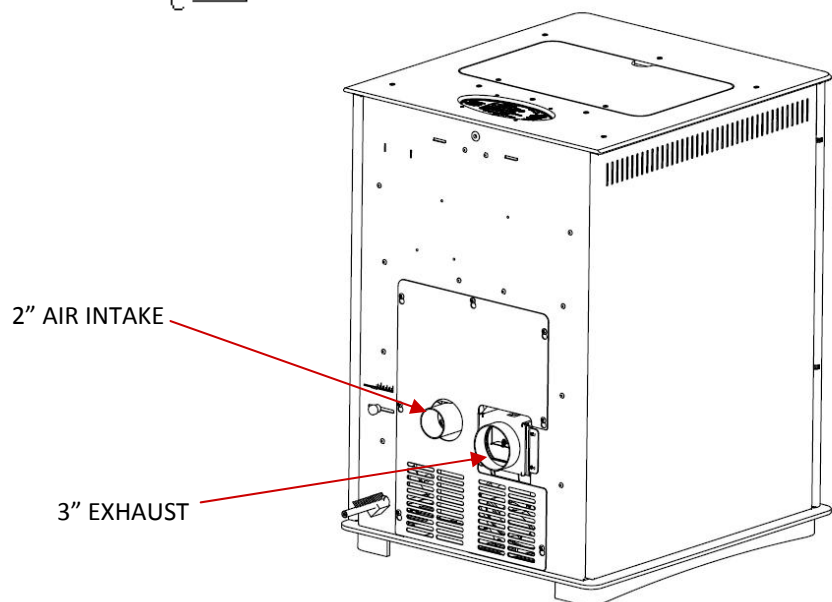


IMPORTANT

FOR MOBILE HOME INSTALLATIONS, OUTSIDE AIR INTAKE IS REQUIRED.



OUTSIDE AIR INTAKE



INSTALLATION

3.1 SUGGESTED INSTALLATION TOOLS:

Before starting your Hearthland Pellet Stove install, we recommended you review the following list of tools that may be required and have them ready if needed.

Hand Tools

<input type="checkbox"/>	Tape Measure
<input type="checkbox"/>	Caulking Gun
<input type="checkbox"/>	Pencil
<input type="checkbox"/>	Allen (Key) wrench set
<input type="checkbox"/>	Stud Finder
<input type="checkbox"/>	Set of sockets or nut driver (7/16")
<input type="checkbox"/>	Screwdriver, Phillip Tip
<input type="checkbox"/>	Assortment of metal, masonry, and wood drill bits
<input type="checkbox"/>	Flashlight
<input type="checkbox"/>	Hand Truck or cart (for transporting stove to installation location)
<input type="checkbox"/>	Hammer
<input type="checkbox"/>	Level
<input type="checkbox"/>	Utility knife
<input type="checkbox"/>	Adjustable pliers (6 to 8 inches)
<input type="checkbox"/>	Small hand broom and dustpan
<input type="checkbox"/>	Furniture and Floor Protection

Power Tools

<input type="checkbox"/>	Shop Vacuum for clean up after installation
<input type="checkbox"/>	Reciprocating saw
<input type="checkbox"/>	Electric drill
<input type="checkbox"/>	Extension cord
<input type="checkbox"/>	4" or 5" diameter coring bit and drill (if going through concrete)

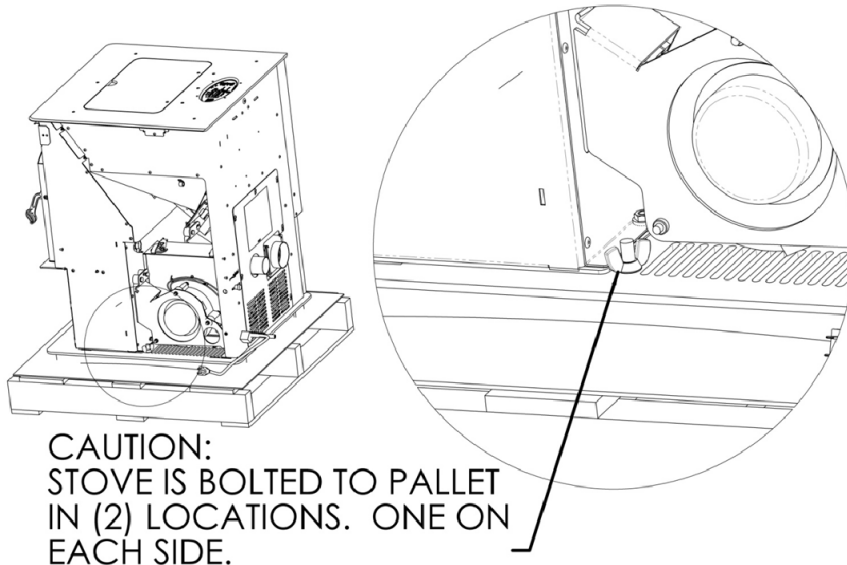
Supplies

<input type="checkbox"/>	Caulking tube of RTV Hi-Heat Silicone (600° F)
<input type="checkbox"/>	Caulking tube of Clear Silicone
<input type="checkbox"/>	Assortment of sheet metal and wood screws
<input type="checkbox"/>	Paint for touch-up



IMPORTANT

- **WHEN UNPACKING THE STOVE, PLEASE NOTE THAT IT IS MOUNTED TO THE SHIPPING PALLET. UNFASTEN (2) BOLTS BEFORE ATTEMPTING TO REMOVE. (SEE FIGURE BELOW)**



INSTALLATION (CONTINUED)

3.2 MOBILE HOME INSTALLATION:

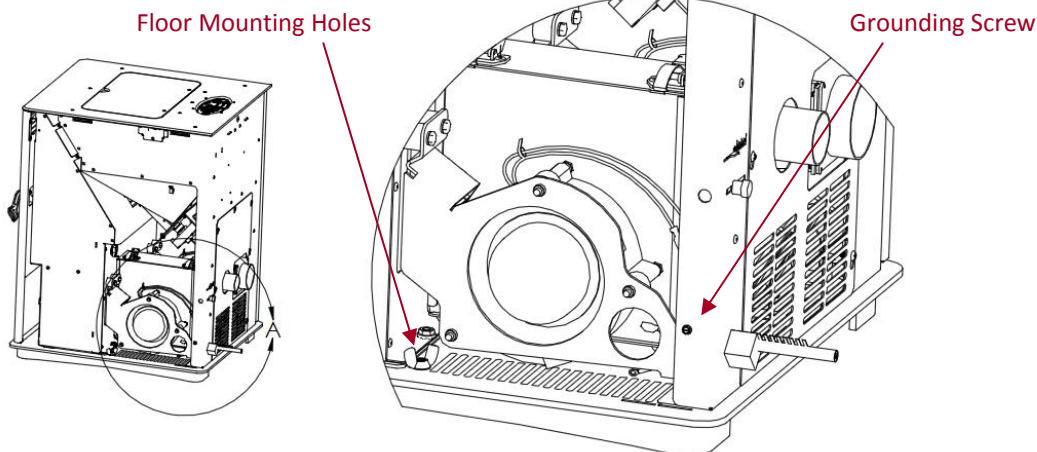
Your **Hearthland Pellet** appliance has been tested and listed for mobile home installation. It may be installed in a mobile home as a "Free Standing Stove" or a "Hearth Stove". ***In addition to all previously detailed installation requirements, mobile home installations must meet the following requirements:***

- ⇒ Permanently fasten your stove to the floor using (2) 1/4" diameter lag screws through the provided holes in the stove base (see image below), through the Properly sized UL 1618 listed 'Type I' Floor protector, and into the mobile home flooring.
- ⇒ Electrically ground your stove to the steel frame of the home. Use a number 8 gauge copper wire and a serrated or star washer to ensure grounding continuity. The grounding screw on the stove is located on the right side (see image below).
- ⇒ FOR MOBILE HOME INSTALLATIONS, OUTSIDE AIR INTAKE IS REQUIRED with a ¼ inch screen over the inlet. (See Section # 2.9 "Outside Air Intake")
- ⇒ For transportation all chimney/vent above the mobile home must be removed.
- ⇒ Installation shall be in accordance with the Manufacturers Home & Safety Standard (HUD) CFR3280, part 24.
- ⇒ Chimney Vent must be 3" or 4" PL Vent and must extend a minimum of 36" above the part of the roof through which it passes and at least 24" above the highest point of the roof within 120" horizontally of the vertical vent pipe. **NOTE: INSTALL VENT AT CLEARANCES SPECIFIED BY THE VENT MANUFACTURER.**



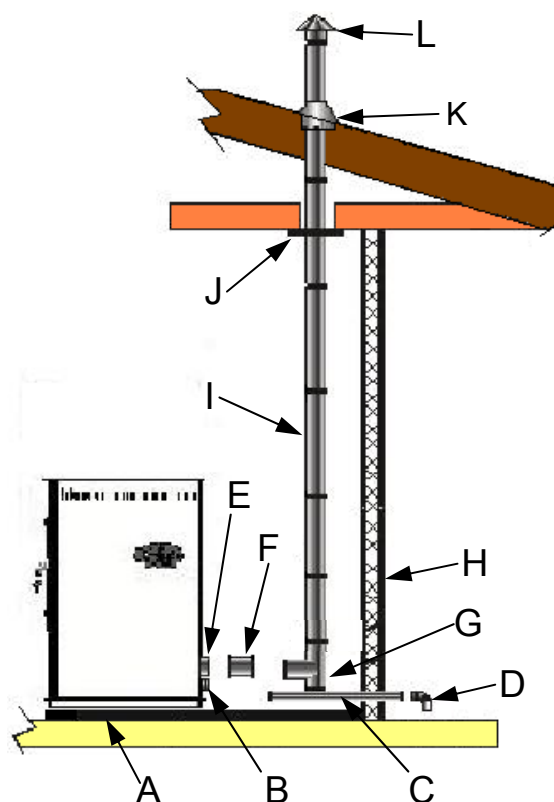
IMPORTANT

- **WARNING: DO NOT INSTALL STOVE IN A SLEEPING ROOM OF A MANUFACTURED HOME.**
(ASTM E1509-4 13.2.3.9)
- **CAUTION: THE STRUCTURAL INTEGRITY OF THE MANUFACTURED HOME FLOOR, WALL, AND CEILING / ROOF MUST BE MAINTAINED!**



TYPICAL MOBILE HOME INSTALLATION

A	Floor Pad
B	Combustion Air Intake
C	Fresh Air Duct
D	Fresh Air Hood
E	Stove Exhaust
F	Pipe Adapter
G	Clean Out Tee
H	Wall
I	Pipe
J	Fire stop Spacer / Ceiling Support
K	Roof Flashing / Storm Collar
L	Rain Cap



OPERATING INSTRUCTIONS

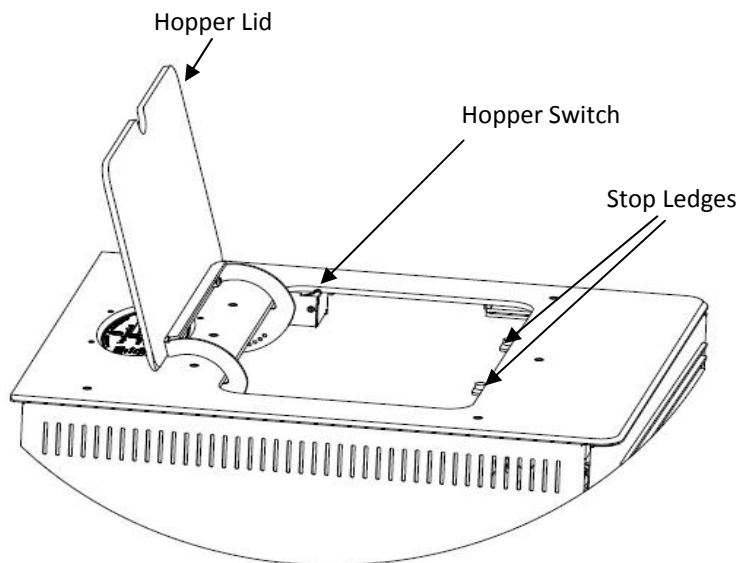
4.1 FILLING THE HOPPER WITH FUEL:

Open the hopper lid using the finger pull recess. Fully open the lid toward the back of the stove. Ensure the hopper is free of unwanted debris, MANUALS, or other foreign objects before adding wood pellets.

Note: The performance of your pellet appliance is greatly affected by the type and quality of wood pellets burned. Your Hearthland Stove is designed to burn wood pellets that meet Pellet Fuel Institute standards for "**Premium grade**" wood pellets. Wood pellets falling below or outside these standards will result in reduced performance.

Fill the hopper with Premium Grade wood pellets only. The hopper has a 70 lb capacity. When filling, be careful not to spill any fuel on the top of the stove and floor as they can also pose a slipping hazard. Before closing the lid, verify there are no pellets on the hopper switch or stop ledge, as they may prevent the lid from closing properly. To close, gently lower the lid.

Note: To prevent injury, your stove is equipped with a switch that stops the auger when the hopper lid is open. If the lid is opened during operation longer than 60 seconds, the stove will enter shutdown mode. If this happens unintentionally, close the lid and press start on the touchpad.



IMPORTANT

- **COMPLETE THE CHECK LIST (SECTION #2.1 "PRE-INSTALLATION CHECKLIST") PRIOR TO LIGHTING YOUR FIRST FIRE.**
- **WHEN USING YOUR APPLIANCE, IT IS CRITICAL THAT THE FOLLOWING CONCEPTS BE UNDERSTOOD AND PERFORMED AS REQUIRED!**
- **USE ONLY HEARTH LAND PRODUCTS SUPPLIED BURN GRATE.**
- **EACH STOVE INSTALLATION IS UNIQUE, THEREFORE IT IS NOT POSSIBLE FOR THE MANUFACTURER TO PRESET ALL STOVE SETTINGS AT THE FACTORY. SOME SETTINGS WILL NEED TO BE OPTIMIZED AFTER INSTALLATION TO SUIT THE INSTALLATION CONDITIONS.**

OPERATING INSTRUCTIONS (CONTINUED)

4.2 INTELLIGENT TEMPERATURE CONTROL (ITC) GENERAL OVERVIEW:

The Intelligent Temperature Control (ITC) digital control is designed to give you flexibility on how you use your stove.

The ITC can be operated in one of three modes:

- **Manual Mode** (Factory default)
- **Thermostat ON/OFF Mode**
- **Thermostat Modulated Mode** (High/Low)

NOTE: See section 4.10 for instructions on how to change operating mode.

The touchpad has three functional buttons:

- **“START”** (HEAT LEVEL) begins your stove’s ignition process and adjusts desired heat setting.
- **“FAN SPEED”** adjusts convection fans (room heat) to desired setting.
- **“OFF”** begins shut down mode of your stove.

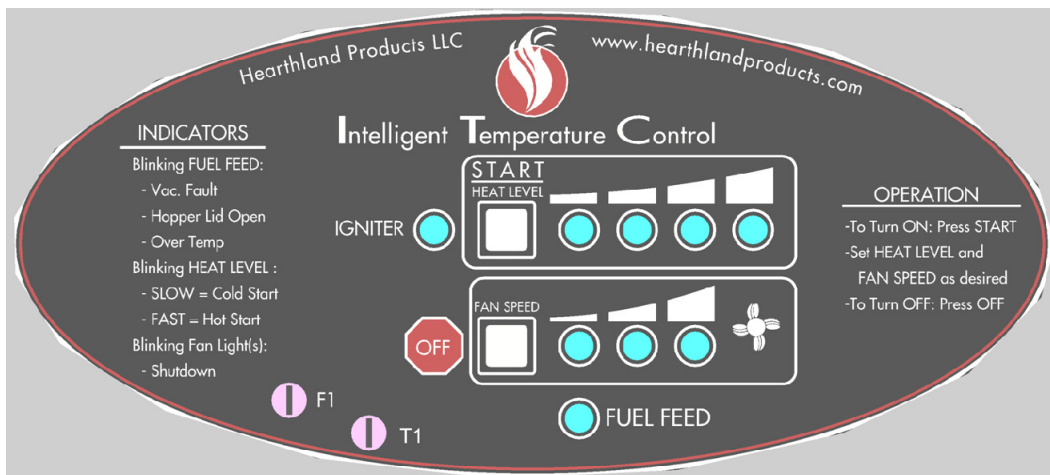
Four indicator lights informing you of functional status:

- **“IGNITER”** LED indicates when the automatic Ignition System is under power.
- **“FUEL FEED”** LED solid indicates when the auger is turning and pellets are being fed to the burn grate. Blinking indicates vacuum fault, hopper lid open or stove over temp.
- **“HEAT LEVEL”** LED indicates current heat level setting. Blinking slow indicates cold start; blinking fast indicates hot start.
- **“FAN SPEED”** LED indicates the setting of the convection fans (room heat). Blinking indicates shutdown mode.

Two Trims allow for setting dependant adjustments at installation:

- **F1** is the Combustion Blower Trim. This allows for fine tuning of the combustion blower aiding in compensation for elevation & venting. **The factory default and recommended setting for this trimmer is full Clockwise.** (See section 4.8 for adjustment instruction)
- **T1** is the ITC temperature trim. This allows for heat setting temperature to be raised or lowered to meet your heating needs. (See section 4.9 for adjustment instruction)

CONTROLLER MEMORY— If a power outage occurs, the board will remember the function it was performing and return to that function when the power returns.

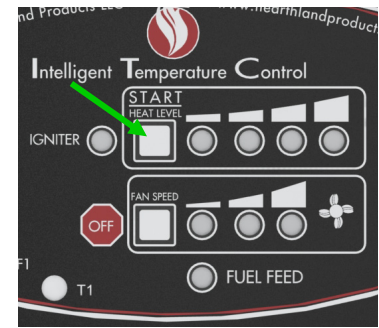


OPERATING INSTRUCTIONS (CONTINUED)

4.3 STARTING STOVE:

1) Verify the following before each starting :

- ⇒ Packaging materials are removed from the burn chamber (*Initial start-up only*)
- ⇒ The burn grate is clean & properly seated.
- ⇒ The door is properly closed.
- ⇒ The hopper contains wood pellets and the lid is closed.
- ⇒ The electrical cord is plugged in.
- ⇒ Fingerprints and oils are removed from unit exterior using a soft cloth to prevent permanent paint marking during the cure process (*Initial start-up only See Section #2.1 "Pre-Installation Checklist"*)



2) Adjust the air inlet damper to be open approximately 1/2". This is the factory default setting (*Initial start-up only, may be adjusted per section 4.7*)

3) Press **START** on the ITC touch pad and the following will happen:

- ⇒ **Combustion (exhaust) blower will start** at full power for several seconds, then will automatically adjust to facilitate ignition.
- ⇒ The **Heat Level LED will flash** indicating the current heat setting.
- ⇒ The **IGNITER LED will light** and the Auto-Igniter will begin to glow as viewed through the burn grate.
- ⇒ The **FUEL FEED LED will light intermittently** indicating when the auger is turning and fuel is being fed to the burn grate. The auger on time is 3 seconds and the off time will vary. **Note:** *If the hopper and auger were empty, it will take longer for pellets to begin falling into the burn grate.*
- ⇒ The **pellets will automatically ignite** in approximately 3 to 7 minutes.
- ⇒ After the flame has stabilized and the ITC detects a steady burn, the controller will exit start-up mode and enter burn mode. The Igniter light will go out and the heat setting LED will stop flashing and stay on steady.
- ⇒ **The Convection fans (room heat fans) will start** once the ITC has detected a flame (120°F exhaust temp). They will start at full power for a few seconds and then drop to the fan speed setting indicated with LED's on the touchpad.

4.4 SHUTTING OFF STOVE:

Press **"OFF"** on the touch pad and the following will happen:

- ⇒ The Auger will stop dispensing fuel to the burn grate.
- ⇒ The "FAN SPEED" LED will flash.
- ⇒ The combustion (exhaust) blower & convection fans will run for 10 minutes or until the stove exhaust cools below 120° F, at which point all components will turn off.

NOTE: If **"OFF"** is pressed unintentionally, simply press start on the touchpad and the stove will resume operation after it completes a short hot start sequence.



IMPORTANT

- Never empty pellets from the burn pot into the hopper. Pellets that may appear cool may retain enough heat to ignite other pellets resulting in smoke or fire damage.
- If stoves fails to light within 15 minutes, the controller will shut off. If this happens, empty burn grate and begin the starting procedure again. If stove fails to ignite a second time, disconnect stove power and contact your dealer.
- Stove paint is not fully cured until the stove is fired (3) times. During this curing process fumes will be given off. Open windows and doors and use fans to provide fresh air while curing. Fumes will not be present after paint fully cures. (*See Section #2.1 "Pre-Installation Checklist"*)

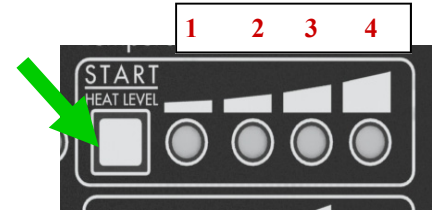
OPERATING INSTRUCTIONS (CONTINUED)

4.5 ADJUSTING STOVE SETTINGS:

The HEAT LEVEL and FAN SPEED settings may be changed at any time during start-up or run mode.

SETTING HEAT LEVEL:

- ⇒ Press “**START / HEAT LEVEL**” repeatedly until it is at the HEAT LEVEL you wish the stove to run.
- ⇒ Please note that heat setting one is used for start up, higher heat settings will not take effect until after start up mode is complete.
- ⇒ Please note that changing HEAT LEVEL will change the FAN SPEED to the default speeds indicated in red on the HEAT LEVEL table.
- ⇒ Please note that the Enclosure Fan used to maintain internal component temperatures receives power only on HEAT LEVEL 3 & 4.

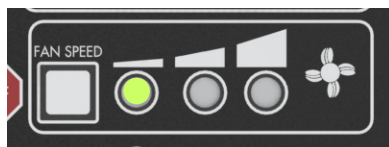


HEAT LEVEL TABLE

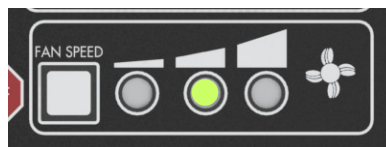
HEAT LEVEL	ALLOWABLE FAN SPEEDS (Red = default)	Enclosure Fan
1	1,2,3,4	OFF
2	1,2,3,4	OFF
3	2,3,4	ON
4	5	ON

SETTING FAN SPEED (Room Heat):

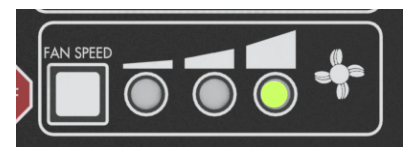
- ⇒ Press “**FAN SPEED**” repeatedly until it is at the setting you wish the stove to run at.
- NOTE: Convection fans will not run until the ITC has detected flame (120°F exhaust temperature)
- ⇒ The lights indicate one of five fan speeds.
- ⇒ Please note that changing HEAT LEVEL will change the FAN SPEED to the default speeds indicated in red on the HEAT LEVEL table.
- ⇒ Please note that specific FAN SPEEDS are allowable at each HEAT LEVEL per the HEAT LEVEL table .



1 = LOW



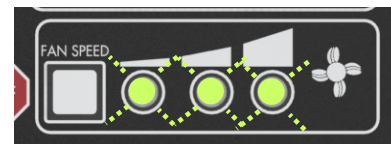
2 = MEDIUM LOW



3 = MEDIUM HIGH



4 = HIGH
(3 LED LIGHTS ON STEADY)



5 = TURBO
(3 LED LIGHTS FLASHING)

OPERATING INSTRUCTIONS (CONTINUED)

4.6 ADJUSTING STOVE FOR BEST PERFORMANCE :

NOTE: THIS SECTION DESCRIBES HOW TO ADJUST THE INTAKE DAMPER AND COMBUSTION BLOWER FOR OPTIMAL COMBUSTION. THESE ADJUSTMENTS ARE TO COMPLETED BY THE INSTALLER AT INITIAL SET UP HOWEVER WILL NOT NEED TO BE ADJUSTED DURING NORMAL USE.

Before making combustion adjustments, make sure the burn grate is clean and the stove is running in a steady state. Make sure the appliance has completed the entire START-UP cycle (the HEAT LEVEL LED stays solid). Then set the controller to HEAT LEVEL # 2 and FAN LEVEL #1 and allow the appliance to run on this setting for at least 10 minutes before making fine adjustments.

Now adjust your stove to a high quality flame. A high quality flame should burn with a brisk, vibrant, yellow to white color flame. When watching the fuel burn in the burn pot, you should see a slight movement of the embers. However, you should not see embers whisked out of the burn grate from high velocity intake air. A flame exhibiting a lazy, orange or sooty characteristic is an inefficient flame. This type of flame produces less heat, clogs the burn grate and increases soot and smoke.

Poor Combustion:

- Slow lazy flame.
- Dark orange hue
- Large flame wisps with black sooty tips.
- Pellets build up in burn pot.
- Window becomes dirty more quickly.



Good Combustion:

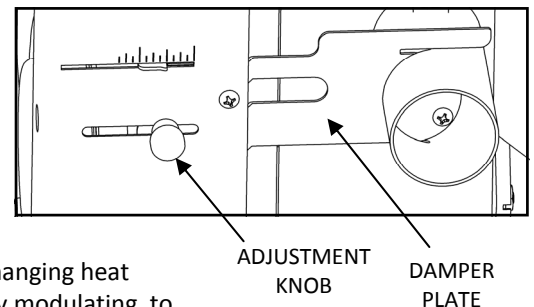
- Sharp, active flame.
- Bright yellow to white hue
- Pellets embers move slightly in burn pot.
- More heat produced.
- Window stays cleaner.



4.7 ADJUSTING INTAKE DAMPER :

Adjust the air intake damper and watch the burn grate and flame for characteristics as described above. The factory default setting for the damper is 1/2". Record the damper location here for future reference _____.

NOTE: It is not necessary to adjust the damper with each use. Setting of the damper should only need to be done at initial set up or to compensate for different fuel. In addition, it is not necessary to adjust the intake damper when changing heat settings. The speed of the combustion blower adjusts at each heat setting thereby modulating to the required combustion air for each heat setting accordingly.



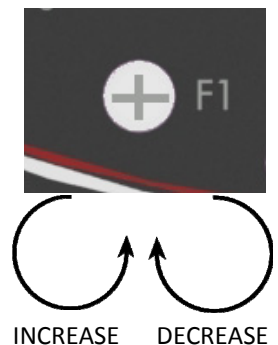
4.8 COMBUSTION BLOWER SPEED ADJUSTMENT (F1):

The speed of the combustion blower can be increased or decreased by adjusting the F1 Trimmer. Clockwise to decrease, counterclockwise to increase. **The factory default and recommended setting for this trimmer is full Clockwise.** This F1 trimmer allows for fine tuning of the combustion blower speed in the event elevation & venting compensation is required. This trimmer may need to be adjusted at initial set up by the installer however will not need to be adjusted during normal use.

Note: A typical negative pressure magnehelic reading on a steady state, Heat Level 2 burn is 0.10 to 0.13 inches of water column. This reading is optional and can be taken through the ash ledge fastener hole under the door. If measurement is taken, record the Magnehelic reading here for future reference _____.

NOTE: This trim affects the lower three heat settings proportionally.

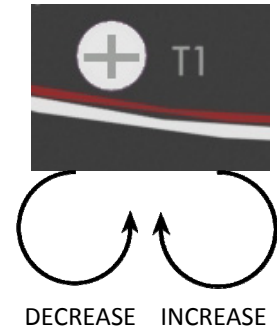
NOTE: Trim Pot does not make a full rotation. Do not apply extra force, damage may occur. The trim pot slot is made of plastic and can be damaged or stripped.



OPERATING INSTRUCTIONS (CONTINUED)

4.9 ITC TEMPERATURE ADJUSTMENT (T1):

T1 is the ITC temperature trim. This allows for the heat output to be increased or decreased within a given heat setting to meet your heating needs. Counterclockwise decreases the ITC temperature setting and clockwise ITC increases the temperature setting. This feature might be used if for example, heat setting 2 does not provide enough heat to the room but heat setting 3 is too much. In this case, the T1 trim could be turned clockwise to increase the heat output at heat setting 2. ***The factory default setting for this trimmer is full Clockwise.***



NOTE: This trim affects all heat settings proportionally.

OPERATING INSTRUCTIONS (CONTINUED)

4.10 SETTING CONTROLLER MODE OF OPERATION:

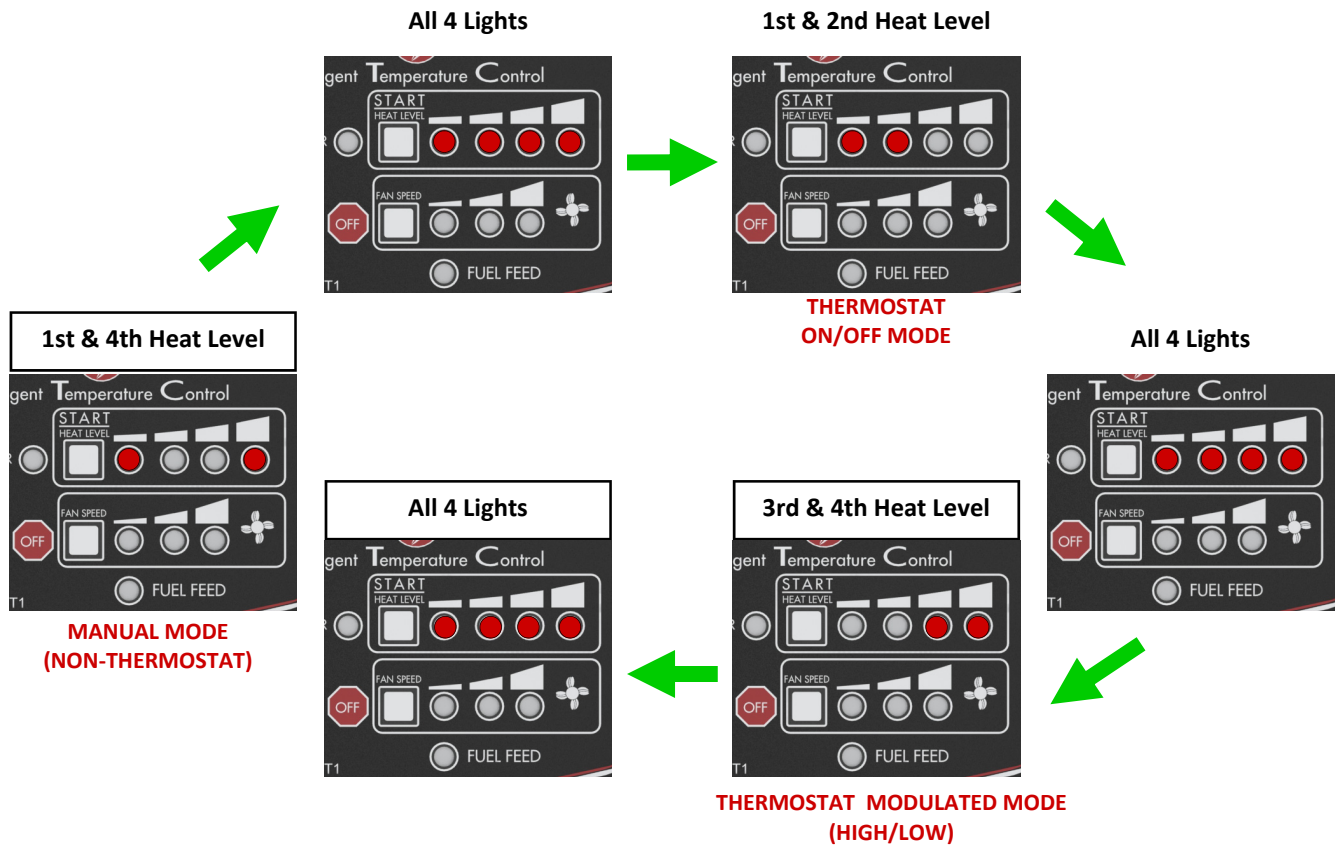
The ITC can be operated in one of three modes:

- ⇒ **Manual Mode** (Factory default)
- ⇒ **Thermostat ON/OFF Mode**
- ⇒ **Thermostat Modulated Mode** (High/Low)

NOTE: To operate in either of the two thermostat modes, an optional thermostat must be purchased and installed. (SEE PAGE 28)

TO CHANGE MODE OF OPERATION:

1. Press and hold the **OFF** button,.
2. While you are holding the OFF button the following cycle will occur:
3. All four feed rate lights light solid.
4. 2 of the feed rate lights will flash indicating current operation mode.
5. All four feed rate lights light solid.
6. 2 of the feed rate lights will flash indicating current operation mode.
7. This cycle will continue as long as you continue to hold the OFF button. To select a mode, simply release the OFF button when the desired mode is displayed.
8. Once the mode has been selected, press the **START** to begin operation.



OPERATING INSTRUCTIONS (CONTINUED)

4.11 THERMOSTAT SPECIFICATION:

To operate in either of the two thermostat modes, an optional thermostat must be purchased and installed. If a thermostat is installed, it must only service the single pellet stove appliance. The thermostat will serve only as a temperature dependant switch to turn the stove **On/Off** or **High/Low** depending on the mode setting . The levels for convection fan and heat must be set at the controller, not the thermostat. The controller is compatible with a great variety of thermostat types including: Low-voltage¹, mechanical and digital, wired and wireless, non-programmable and programmable². Examples of readily available thermostats that are compatible with the stove controller are:

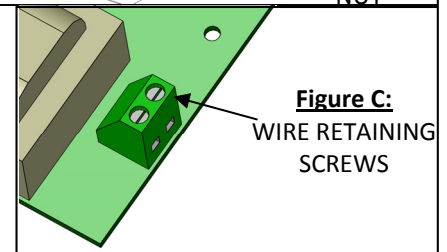
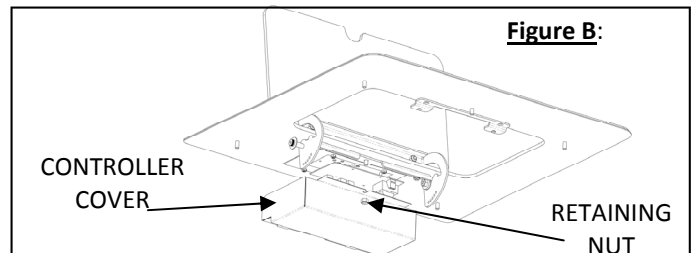
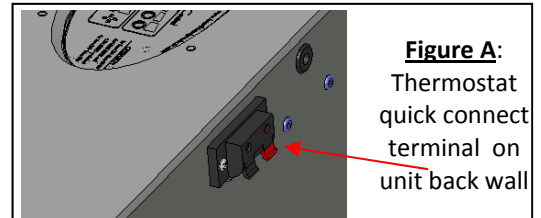
Honeywell (Manual, wired, non-programmable):	CT30, CT31, CT33, CT50, CT51, CT53, CT54, CT55, CT87
Honeywell (Digital, wired, non-programmable):	RTH110B
Honeywell (Digital, wired, programmable):	RTH111B, RTH221B, RTH6300B, RTH2300B, RTH230B, RTH2310B, RTH4300B, RTH2410B, RTH2510B, RTH2520B
SkyTech (Digital, wireless, non-programmable):	SKY-1001-TH, SKY-1410-TH, TS/R-2A, SKY-3301, SKY-5301, SKY-5310
SkyTech (Digital, wireless, programmable):	SKY-3301P, SKY-3301PF, SKY-3301P2, SKY-5301P

NOTES:

- ¹ Thermostats with 24 volt rating are compatible with the controller. Millivolt thermostats are also compatible provided they have an upper voltage limit of at least 24 volts.
- ² The stove controller uses only two wires to connect to the thermostat, therefore if a thermostat has Heat & Cool capabilities, the stove will only utilize the heat related functions of the thermostat.

4.12 THERMOSTAT INSTALLATION:

- Turn the stove off and allow stove to cool.
- Unplug the stove electrical plug from the power receptacle.
- If your stove is equipped with a Thermostat quick connect terminal (**Figure A**), then connect the thermostat wires to the black and red terminals and skip to step #8.
- Remove the controller cover from inside the hopper (**Figure B**).
- Route the (2) wires through the rubber grommet in the stove back wall.
- Use a small screwdriver to connect the (2) thermostat wires to the control board thermostat terminal block (**Figure C**).
- Replace the controller cover and refasten.
- Connect the other end of the (2) wires to the heat terminals of the thermostat. (Typically these are the W & R terminals if more than (2) terminals exist) **NOTE: Use caution when routing the wires from the stove to the thermostat so that the wires do not come into contact with the exhaust venting.**
- Reconnect electrical plug to power.
- Set the controller mode to the desired thermostat mode.
- You are now ready to operate your stove with a thermostat.



THERMOSTAT LOCATION

Do not mount the thermostat where it may be affected by:

- ⇒ Radiant heat from the stove, sun or other heat sources.
- ⇒ Drafts or dead spots behind doors or in corners.
- ⇒ Hot or cold air from ducts.

OPERATING INSTRUCTIONS (CONTINUED)

4.13 THERMOSTAT MODES:

THERMOSTAT MODULATED MODE (HIGH-LOW)

In this mode your stove modulates the heat output and runs on heat setting 2 or 3 when the thermostat calls for heat (HIGH) and drops to heat setting 1 once the thermostat is satisfied (LOW). This mode will provide a more uniform room temperature as it eliminates the need to re-ignite with each heat demand cycle.

TO START

- ⇒ On the stove controller, press START.
- ⇒ Select desired HIGH HEAT LEVEL (2 or 3) by pressing the START / HEAT LEVEL touch pad.
- ⇒ Once high heat setting is selected the HEAT LEVEL LED will flash quickly momentarily to indicate your HIGH HEAT setting and then resume at the slower flash of the start-up mode.
- ⇒ Desired FAN SPEED may also be set at this time. *Note, this fan speed will be maintained during both HIGH and LOW heat setting.*
- ⇒ Upon completion of startup cycle, the stove will cycle between HEAT LEVEL 1 and the HIGH HEAT LEVEL (2 or 3) as dictated by the thermostat.

TO SHUT DOWN

- ⇒ On the stove controller, press OFF.

THERMOSTAT ON-OFF MODE

In this mode your stove runs on heat setting 1, 2 or 3 when the thermostat calls for heat (ON) and turns off once the thermostat is satisfied (OFF). In this mode the stove will go through the Start-up Cycle and re-ignite with each heat demand cycle.

TO START

- ⇒ On the stove controller press START.
- ⇒ Select desired 'ON' heat output level (1, 2 or 3 position) by pressing HEAT LEVEL. *NOTE: The Heat Level can be adjusted between setting 1-3 at any time.*
- ⇒ Select desired FAN SPEED.

TO SHUT DOWN

- ⇒ On the stove controller, press OFF.

Note: In THERMOSTAT ON-OFF MODE we suggest you set the HEAT LEVEL to a lower setting so that it stays on for longer periods. This will result in a more consistent room temperature and increase the life of the stove's igniter.

Thermostat Modulated Mode has advantages over Thermostat ON/OFF mode.

- ⇒ More consistent room temperature will be maintained.
- ⇒ Life of the Auto Igniter is increased, seeing fewer ignition cycles.
- ⇒ The stove will tend to operate primarily at the low setting, resulting in more efficient use of energy to maintain desired temperature setting.

FUEL

5.1 WOOD PELLETS SPECIFICATION:

The performance of your pellet appliance is greatly affected by the type and quality of wood pellets burned. Your Hearthland Stove is designed to burn wood pellets that meet Pellet Fuel Institute standards for "Premium Grade" wood pellets. Wood pellets falling below or outside these standards will result in reduced performance. Note: Store wood pellets in a dry location to prevent them from absorbing excess moisture.

PELLET FUEL INSTITUTE (PFI) PELLETS STANDARDS www.pelletheat.org

Length:	1.5 inches, maximum.
Diameter:	.25 to .312 inches, (1/4" to 5/16")
Bulk Density:	Not less than 40 lb per cubic foot.
Fines:	.2 lb. max. per 40lb. Bag shall pass through 1/8" screen.
Sodium (salts):	Less than 300 parts per million .
Ash Content:	- Premium Quality 1% by weight, maximum, (.3 lb per 40 lb bag of pellets.)

FINES: Fines in pellets are small pieces of sawdust or broken down pellets that are small enough to pass through square mesh screen with 1/8" spacing. Pellets can break down from handling, transporting and/or storage. Fines adversely affect the pellet feed system and combustion system greatly increasing the requirements for periodic cleaning.

SCREENING: Excessive fines can be removed from pellets through a process called "screening". This can be accomplished by pouring pellets down an incline of 1/8" mesh screen into a container or hopper. This process will allow the good pellets to flow into the container while the fines fall through the mesh to be discarded.

5.2 FUEL CONSUMPTION:

With Intelligent Temperature Controller (ITC), the pellet stove will regulate fuel feed to maintain a set exhaust temperature. Factors affecting consumption rate depend on factors such as:

- ⇒ **Fuel BTU Content:** Typically wood pellets contain 7,000 to 8,700 BTU's per pound. Higher BTU content will burn at a lower rate than lower BTU content pellets.
- ⇒ **FAN SPEED setting:** Higher FAN SPEED settings (room heat) will draw more heat from the heat exchanger, causing an increased fuel consumption rate than at lower FAN SPEED settings.
- ⇒ **Heat Exchanger Cleanliness:** Ash build-up on heat exchange tubes and heat exchange back panel will significantly reduce heat transfer to convection air causing fuel consumption rates to reduce. It is important that the heat exchanger be kept clean for efficient heat transfer to convection air (room heat).
- ⇒ **Excessive Combustion Air:** Excessive combustion air will result in increased fuel consumption.
- ⇒ **Air Circulation:** Settings with good air circulation will yield more efficient heat transfer to convection air resulting in increased fuel consumption over settings with poor air circulation.

The following "**ROUGH GUIDE**" to pellet usage's may be useful in assessing your stove's operation.

HEAT SETTING	1	2	3	4
CONVECTION FAN SPEED	1	1	2	5
T1 SETTING	CCW	CCW	CCW	CW
FUEL BTU/LB	8,000	8,000	8,000	8,000
Lbs/hr	1.25	2.15	3.7	6.41
BTU/Hour	10,000	17,200	29,600	51,280
APPROXIMATE BURN TIME OF FULL HOPPER (HOURS)	56.0	32.6	18.9	10.9

MAINTENANCE AND REQUIRED CLEANING

Proper care of your **Hearthland** pellet appliance is required for peak performance. The need for and frequency of cleaning depends on many factors such as; volume pellets burned, heat setting used, pellet quality & combustion quality. While becoming acquainted with your new stove, inspect your **BURN GRATE, HEAT EXCHANGE TUBES and ASH DRAWER** frequently until a pattern of cleaning is determined. The following outlines your stoves maintenance requirements and the approximate frequency.



IMPORTANT

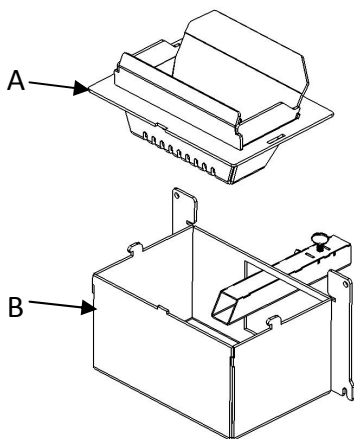
- REGULAR MAINTENANCE MUST BE CONDUCTED FOR SAFE AND EFFICIENT OPERATION.
- DISCONNECT POWER TO THE STOVE IF MAINTENANCE REQUIRES THE OPENING OF SERVICE PANELS.
- CONDUCT MAINTENANCE ON A COLD APPLIANCE ONLY.
- NEVER EMPTY PELLETS FROM THE BURN POT INTO THE HOPPER. PELLETS THAT MAY APPEAR COOL MAY RETAIN ENOUGH HEAT TO IGNITE OTHER PELLETS RESULTING IN SMOKE OR FIRE DAMAGE.
- WHEN REMOVING ASH BUILD-UP, USE AN APPROVED ASH VACUUM ONLY. A CLEANING BRUSH CAN BE USED TO LOOSEN ANY ASH BUILD-UP BEFORE VACUUMING. **UNDER NO CIRCUMSTANCES SHOULD THE APPLIANCE BE VACUUMED WITH A HOUSEHOLD OR SHOP TYPE VACUUM. THEY CONTAIN COMBUSTIBLE COMPONENTS AND ARE NOT DESIGNED TO HANDLE ASH. MOREOVER, THE FILTERS USED IN HOME VACUUMS WILL NOT CAPTURE THE FINE PARTICLES CONTAINED IN ASH RESULTING IN ASH DEPOSITS IN THE HOME.**
- DO NOT USE ABRASIVE CHEMICAL CLEANERS ON YOUR STOVE AS THEY WILL ABRASE SURFACES AND LEAVE SCRATCHES.

6.1 BURN GRATE : (FREQUENCY: 3—7 DAYS OR 7 PELLET BAGS)

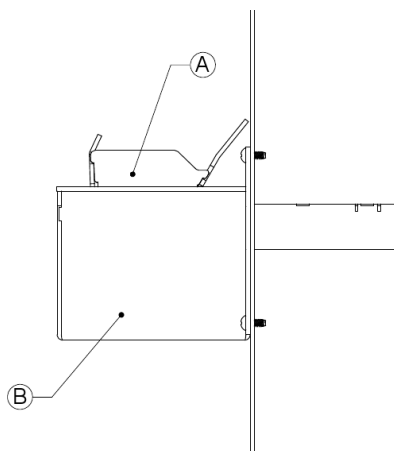
If the flames seem to be coming only from the sides, or are orange/black in color, turn the stove off and check for Clinker build up in the grate. Silica and other minerals naturally found in wood cause clinkering. A clinker is a hard mass of silica formed in the burning process and can affect the performance of the stove by blocking off the air passages of the burn grate. Even Premium grade pellets may tend to form clinkers.

To Clean: (Cold Stove Only)

- ⇒ Open door, remove the burn grate, knock out any debris into the ash pan.
- ⇒ It may be necessary to scrape the holes clean.
- ⇒ Replace the burn grate making sure it is tightly seated in the burn pot.



A - Burn Grate; B - Burn Pot



MAINTENANCE AND REQUIRED CLEANING (CONTINUED)

6.2 GLASS : (FREQUENCY: AS NEEDED)

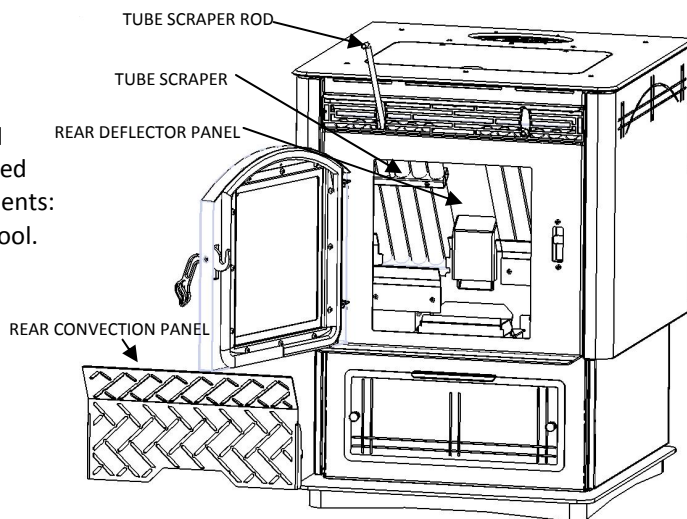
To enjoy a clear view of the fire you should clean your window as needed with paper towel lightly dampened with water. **Only clean the glass when the stove is off and the glass is cool.** To remove heavy build up, use a damp paper towel with a little fly-ash. Simply dip the damp paper towel into the fly ash and then wipe the glass in a circular motion. Caution: Do not use excessive water as it can combine with the ash to form a paste that can block the air wash. After cleaning the glass, verify that the air wash has not been blocked and that there is an approximate 1/32" air gap between the glass and the glass retaining plate.

6.3 HEAT EXCHANGER :

(FREQUENCY: 3—7 DAYS OR 7 PELLET BAGS)

Under normal use, ash will build up on your stove's heat exchange tubes and rear convection panel. This ash will thermally insulate these components resulting in reduced heat transfer to convection air. To clean these components:

- ⇒ Shut down stove and allow stove to completely cool.
- ⇒ Raise and lower the tube scraper rods.
- ⇒ Use a brush to clean the back convection panel monthly.



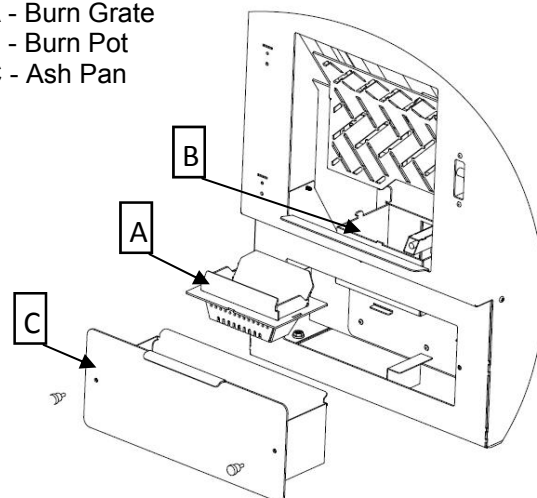
IMPORTANT

- DO NOT USE COMMERCIAL GLASS CLEANERS OR OVEN CLEANERS AS THEY TEND TO LEAVE FILM ON THE GLASS THAT WILL ACCELERATE THE SOILING OF THE GLASS.
- DO NOT OPERATE STOVE WITH BROKEN GLASS AS LEAKAGE OF FLUE GASES MAY RESULT.
- CLEAN GLASS ONLY WHEN THE STOVE IS COLD AS HOT GLASS WILL CAUSE SERIOUS BURNS.
- NEVER PERFORM ANY INSPECTIONS, CLEANING, MAINTENANCE OR SERVICE ON A HOT STOVE. TURN OFF STOVE AND ALLOW TO COOL BEFORE SERVICE.

6.4 ASH PAN: (FREQUENCY: MONTHLY OR 50 PELLET BAGS)

Remove two fasteners and remove ash pan from stove. Dispose ashes into a metal container with a tight fitting lid. Before replacing ash pan, inspect gasketing to ensure it is not damaged and will provide an air-tight fit when secured in position. If the gasket needs replacing, use an OEM gasket. This specifically designed gasket is engineered to make replacement clean and easy. See Section #10 "Replacement Parts List" When replacing the ash pan, ensure it is pushed tightly to stove and replace the two fasteners securely.

- A - Burn Grate
- B - Burn Pot
- C - Ash Pan



6.5 BURN POT: (FREQUENCY: MONTHLY OR 50 PELLET BAGS)

This is the "pot" where the pellets are burned in the grate. When removing your grate for cleaning, check the burn pot area for ash build up. Some ash will fall through the grate holes and build up under the grate. This needs to be cleaned out as it can prevent air flow to the burn grate. DO NOT push the ash to the back of the opening, as this not an ash trap and will effect or block off the air flow to the grate.

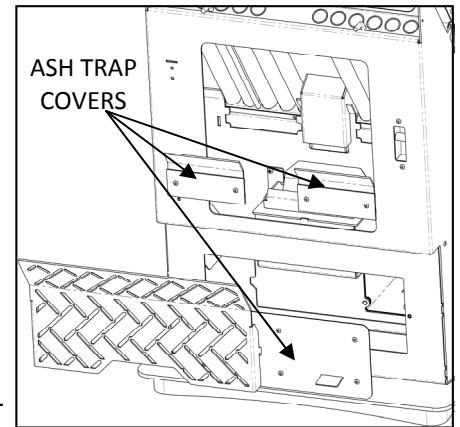
MAINTENANCE AND REQUIRED CLEANING (CONTINUED)

6.6 DOOR GASKET: (FREQUENCY: ANNUALLY)

Inspect the main door gasket to ensure it is pliable and is not damaged, providing an air-tight fit when secured in position. If the gasket needs replacing, use an OEM gasket. This specifically designed gasket is engineered to make replacement clean and easy. See Section #10 "Replacement Parts List"

6.7 ASH TRAP: (FREQUENCY: ANNUALLY)

Remove the trap covers. One is located from behind the ASH PAN and the other two are located behind the decorative panel. This will expose the ash trap areas. Remove fly by vacuuming inside the trap areas. It is also good to use a brush to reach behind and agitate the build up off the metal areas.



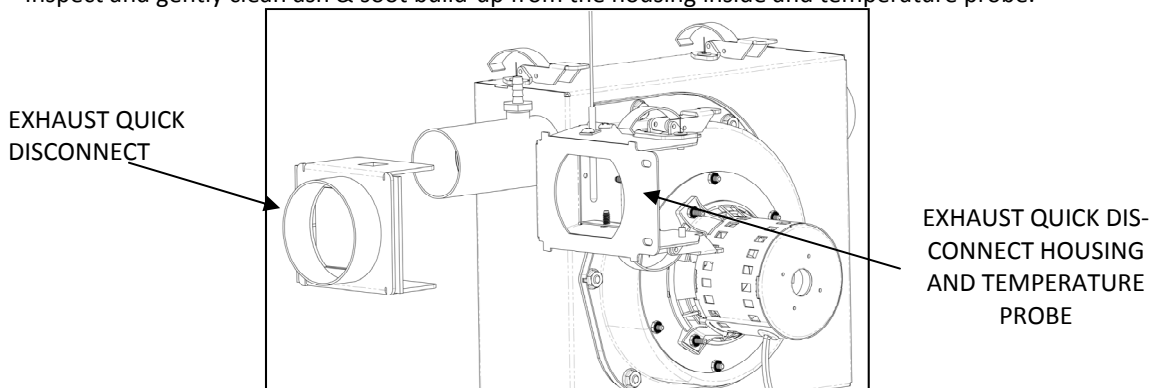
6.8 EXHAUST VENTING: (FREQUENCY: ANNUALLY)

SOOT AND FLY ASH: FORMATION AND NEED FOR REMOVAL. THE PRODUCTS OF COMBUSTION WILL CONTAIN SMALL PARTICLES OF FLY ASH. THE FLY ASH WILL COLLECT IN THE EXHAUST VENTING SYSTEM AND RESTRICT THE FLOW OF FLUE GASES. INCOMPLETE COMBUSTION, SUCH AS DURING STARTUP, SHUTDOWN, OR INCORRECT OPERATION OF THE ROOM HEATER WILL LEAD TO SOME SOOT FORMATION WHICH WILL COLLECT IN THE EXHAUST VENTING SYSTEM. THE EXHAUST VENTING SYSTEM SHOULD BE INSPECTED AT LEAST ONCE A EVERY YEAR TO DETERMINE IF CLEANING IS NECESSARY.

- ⇒ Check the clean out tee and elbows in the exhaust system. To remove dust from the vent pipe, tap lightly on the pipe to dislodge any loose ash. Open the bottom of the "T" to dump the ash, then vacuum as much of the ash out of the vent pipe as possible.
- ⇒ Use a proper diameter chimney brush to pass through venting and dislodge build-up.
- ⇒ If the exhaust system has a screen on it, inspect and clean the screen. A plugged screen will shut off combustion air and cause a fire to die or burn poorly.

6.9 EXHAUST QUICK DISCONNECT HOUSING: (FREQUENCY: ANNUALLY)

Inspect and gently clean ash & soot build-up from the housing inside and temperature probe.



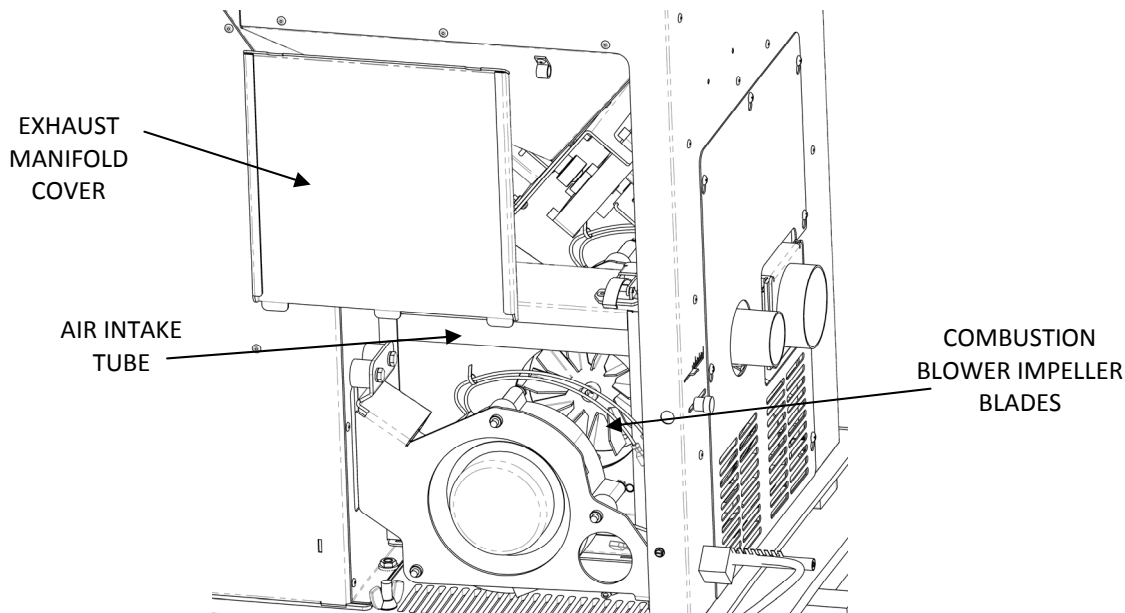
IMPORTANT

- ⇒ **WHENEVER ANY PORTION OF THE PELLET VENTING IS DISCONNECTED, THE JOINTS MUST BE SEALED GAS TIGHT WITH HIGH TEMP (600°F) RTV SILICONE SEALANT UNLESS OTHERWISE SPECIFIED BY THE VENT MANUFACTURER.**
- ⇒ **DISPOSAL OF ASHES:** ASHES SHOULD BE PLACED IN A METAL CONTAINER WITH A TIGHT FITTING LID. THE CLOSED CONTAINER OF ASHES SHOULD BE PLACED ON A NONCOMBUSTIBLE FLOOR OR ON THE GROUND, WELL AWAY FROM ALL COMBUSTIBLE MATERIALS, PENDING FINAL DISPOSAL. IF ASHES ARE DISPOSED OF BY BURIAL IN SOIL OR OTHERWISE LOCALLY DISPERSED, THEY SHOULD BE RETAINED IN THE CLOSED CONTAINER UNTIL ALL CINDERS HAVE BEEN THOROUGHLY COOLED.

MAINTENANCE AND REQUIRED CLEANING (CONTINUED)

6.10 EXHAUST MANIFOLD : (FREQUENCY: ANNUALLY)

Remove exhaust manifold cover and gently clean ash build up from; air intake tube, combustion blower housing, combustion blower impeller blades. Inspect gasketing on exhaust manifold cover to ensure an adequate seal can be achieved when re-installed. (Replace gasketing as required using OEM gasket material available from your dealer.) Replace exhaust manifold cover.



6.11 FANS & BLOWERS : (FREQUENCY: ANNUALLY)

Clean the air passage ways and impeller blades of both COMBUSTION BLOWER and CONVECTION FANS annually. Also inspect and clean as necessary the cooling air holes of the blower motor. Note: The blowers and fans are permanently lubricated by the manufacturer. Do not apply oil to any part of the blowers or fans, doing so may cause damage.

6.12 FRESH AIR INTAKE: (FREQUENCY: ANNUALLY)

Inspect periodically to be sure that it is not clogged with any foreign materials. A plugged screen will restrict or shut off combustion air and cause a fire to die or burn poorly.

6.13 GLASS AIR WASH: (FREQUENCY: ANNUALLY)

There is an approximate 1/32" air gap between the glass and the glass retaining plate. This gap is to allow air to wash over the glass keeping it clean. Check this area for build-up or obstructions and clean as needed. The gasketing found on glass, supports the glass corners and serves as a spacer for the glass. If gasketing needs replacing, use an OEM gasket available from your dealer. See Section #10 "Replacement Parts List" Specifications for replacing this gasket may be obtained from Hearthland Products.

MAINTENANCE AND REQUIRED CLEANING (CONTINUED)

6.14 STOVE EXTERIOR: (FREQUENCY: MONTHLY)

These surfaces may be wiped down with a soft damp cloth. Touch-up for all models with Charcoal Painted Finish are painted with a high-temperature stove paint. Use only the stove touch-up paint shown below, do not touch-up your stove with any other paint.

- ⇒ **Hearthland Part # DS6145;** Stove Bright Charcoal # 6201 High Temp 12 oz Aerosol (1A62H201).
- ⇒ **Hearthland Part # DS6150;** Stove Bright Charcoal # 6201 High Temp ½ oz Brush-On (62M201).

PREPARATION AND APPLICATION: Using one small piece of 320 grit sand paper, lightly sand the blemish so that the edges are “feathered” or smooth to the touch between the painted and bare surfaces. Clean the area with Windex Glass Cleaner with ammonia and a clean soft cloth. (Do not clean with paint thinner, mineral spirits or oil based cleaners like Fantastic or Formula 409.) Mask off surfaces that you do not want painted. First paint lightly over the bare surface as this will act as an undercoat. Then paint over a larger area in smooth even strikes to blend. Use two to three light coats allowing five minutes between coats.

6.15 PELLET HOPPER: (FREQUENCY: MONTHLY)

Check the hopper periodically to determine if there is any sawdust or pellets that are sticking to the hopper surface. Clean as needed. An excess build up of fines, will lead to improper feeding and possible auger jams. Using paste wax on the inside of the hopper can help to reduce the amount of residual pellets and fines left inside the hopper.

6.16 FALL START UP:

Prior to lighting the first fire of the season, check the outside area around the exhaust and air intake systems for obstructions. Clean the screens on the exhaust system and the outside air intake pipe. Turn all controls on to make sure they are working prior to lighting the first fire. Clean and remove fly ash from exhaust venting.

6.17 SPRING SHUTDOWN:

After the last burn in the Spring, remove pellets from the hopper and the auger. If left in the stove, pellets can absorb moisture from the Summer humidity and swell causing an impacted auger next season. Scoop out the pellets from the hopper then run the auger until the hopper is empty and pellets stop flowing. Vacuum out the hopper. Thoroughly clean the burn grate, burn box, ash drawer and ash traps. The **exhaust system** should be thoroughly cleaned as well. Remove the Exhaust Manifold access panel and clean the exhaust manifold and the Combustion Blower blades and housing. Inspect Exhaust Manifold access panel gasket and replace access panel. Leave unit unplugged for summer season for added electrical protection.

6.18 SERVICE CONTRACTS:

Many Hearthland Authorized Dealers as well as NFI or WETT Certified Pellet Specialists offer yearly customer service contracts. The advantages of these are they establish an ongoing, mutually beneficial relationship with a qualified service technician. Many will offer an end of the season service for cleaning, inspection and repair if necessary.

MANUAL IGNITION & POWER BACKUP

7.1 MANUAL STOVE LIGHTING PROCEDURE

In event of an inoperable Automatic Ignition System, the Hearthland stove can be started manually using the following procedure.

1. Place a small handful of pellets in the bottom of the burn grate.
2. Add a small amount of fire starter over the pellets. Fire starter is a lighting medium specifically designed for pellet stoves such as gelled alcohol.
3. Light the fire starter.
4. Press **START** on the touch pad.
5. Slowly close and latch the door.
6. If the fire goes out, press **STOP** on the touch pad and add more fire starter; re-light the fire; Press **START** and slowly close and latch the main door.
7. The **COMBUSTION BLOWER** (exhaust) will start.
8. The **CONVECTION FAN** (heating) will start once the stove reaches operating temperature.
9. The **AUGER CYCLE** LED will go solid for 3 seconds, indicating signal being sent to auger motor.
10. Adjust the **HEAT LEVEL** and the **FAN SPEED** to your desired settings you require upon completion of startup sequence.



IMPORTANT

NEVER USE GASOLINE, GASOLINE-TYPE LANTERN FUEL, KEROSENE, CHARCOAL LIGHTER FLUID, OR SIMILAR LIQUIDS TO START OR 'FRESHEN UP' A FIRE IN THIS HEATER! KEEP ALL SUCH LIQUIDS WELL AWAY FROM THE HEATER WHILE IT IS IN USE.

7.2 POWER BACKUP : Options for continued stove operation in the event of a power outage;

BATTERY BACKUP: Hearthland pellet stoves are compatible with 'True Sine Wave' battery backup systems. For example, the SEC America Model **Surefire SF 707** in conjunction with a fully charged 66 Ampere-Hour battery produces 7+ hours of uninterrupted operation. Increased battery Ampere-Hours will increase the operation duration. Contact Hearthland Products for approved battery backup systems that are compatible with your stove.

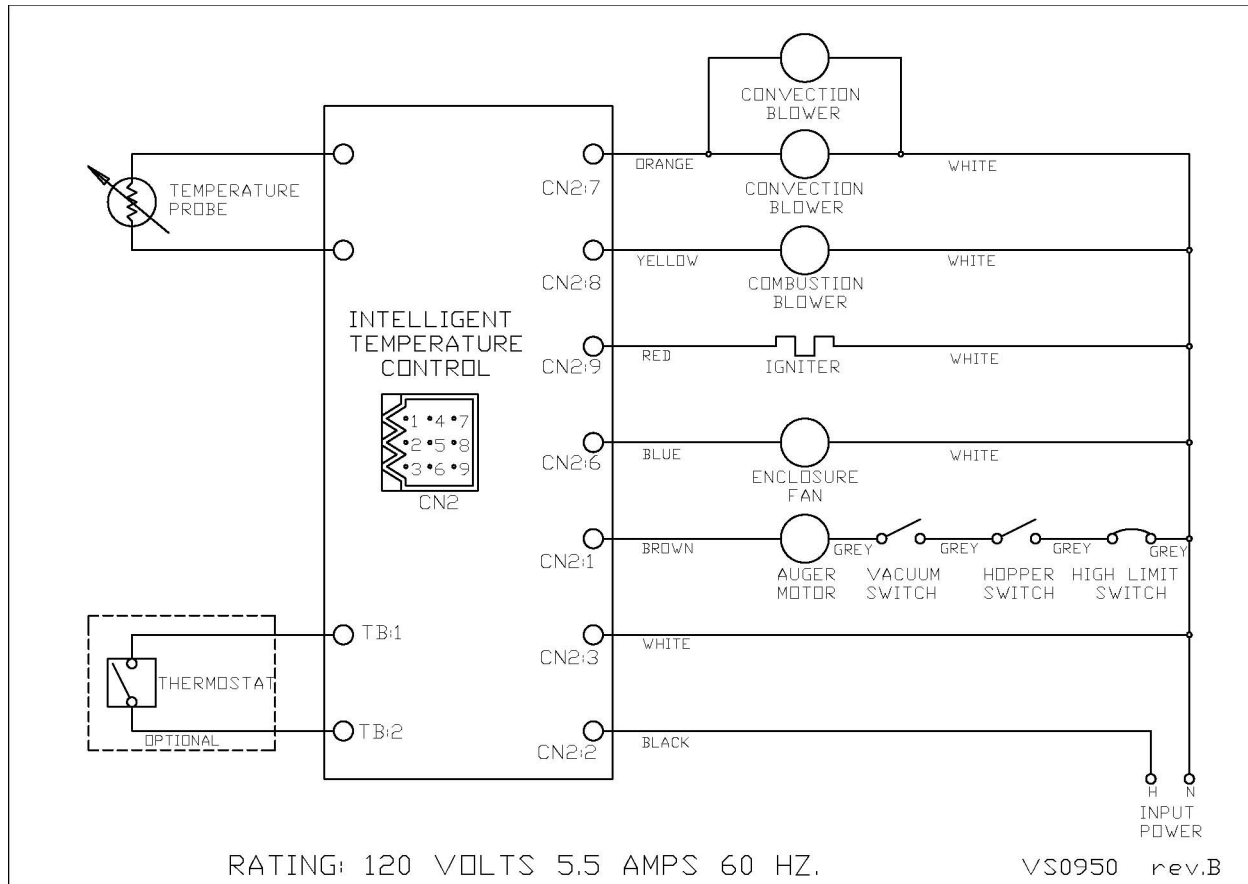
GAS FUEL GENERATOR: A gas generator may also be used to power your Hearthland Stove for extended periods of time.

ELECTRICAL & WIRE DIAGRAM

8.1 ELECTRICAL INFORMATION:

Your stove is wired at the factory for 120 V, 60 Hz operation, 5.5 amps at startup . Connect to a 120 V, 15 A circuit and use a 15 A time delay fuse or circuit breaker. It is recommended to use a ground fault outlet (GFCI) and a surge protector.

8.2 WIRING DIAGRAM:



8.3 ELECTRICAL COMPONENT SPECIFICATIONS:

Auger Motor	120 V .45 A 60 Hz	Combustion Blower	120 V .94 A 60 Hz
Convection Fan (2)	120 V .7 A 60 Hz	Cabinet Cooling Fan	120 V .17 A 60 Hz
Igniter	120 V 2.5 A 60 Hz		



IMPORTANT

CAUTION: MOVING PARTS MAY CAUSE INJURY! DO NOT OPERATE WITH SIDE OR REAR ACCESS PANELS REMOVED!

DANGER: RISK OF ELECTRIC SHOCK! DISCONNECT POWER BEFORE SERVICING UNIT!

WARNING: HOT PARTS! DO NOT OPERATE WITH SIDE OR REAR ACCESS PANELS REMOVED!

TROUBLESHOOTING

9 TROUBLESHOOTING:

Proper cleaning, maintenance and the use of clean, dry, quality fuel will prevent the more common stove operational problems. However, when your stove is simply operating poorly or not at all, the following trouble shooting tips may be helpful.

The following is not a exhaustive list. For more details or updated information please check our website www.Hearthlandproducts.com, contact your local authorized Dealer or **Hearthland Products Customer Service at 1-888-883-2260.**



IMPORTANT

- **DISCONNECT THE ELECTRICAL CORD PRIOR TO OPENING THE SIDES OF YOUR STOVE FOR ANY INSPECTION, CLEANING, MAINTENANCE OR SERVICE WORK.**
- **NEVER PERFORM ANY INSPECTIONS, CLEANING, MAINTENANCE OR SERVICE ON A HOT STOVE. TURN OFF STOVE AND ALLOW TO COOL BEFORE SERVICE.**

PROBLEM	CAUSE	SOLUTION
Stove Will Not Start	1. No electrical power.	*Ensure the stove is plugged in to a 120VAC electrical outlet and a Surge Protection unit. *Check outlet for electrical power and proper voltage. *Check spade connections from the stove power cord to the main wiring harness.
	2. Control Board	*Confirm mode of operation. <i>(See Section #4.10 "Setting Mode of Operation" for details)</i> *Confirm power to the board by pressing the START touch pad. Do any LED's light up? *Check the 9 pin wire connection to the board. *Inspect the board for any blown circuitry. Before replacing check for the cause of the blown circuit. *It could be a shorted wire or defective electrical component. *Inspect the main wire harness, connections and wire.
	3. No Fuel feed.	*Ensure the hopper is filled with fuel. *Check the Auger Cycle LED on the control, if flashing rapidly, this indicates a vacuum problem, hopper lid open or over temperature error. *Ensure the hopper lid is closed. *Ensure door is closed and securely latched. An open door will trip the vacuum switch and disengage the feed auger. *Ensure ash pan is tightly secured. *Check vacuum hose for blockage or disconnection *Check for possible jam, clean out drop chute area.

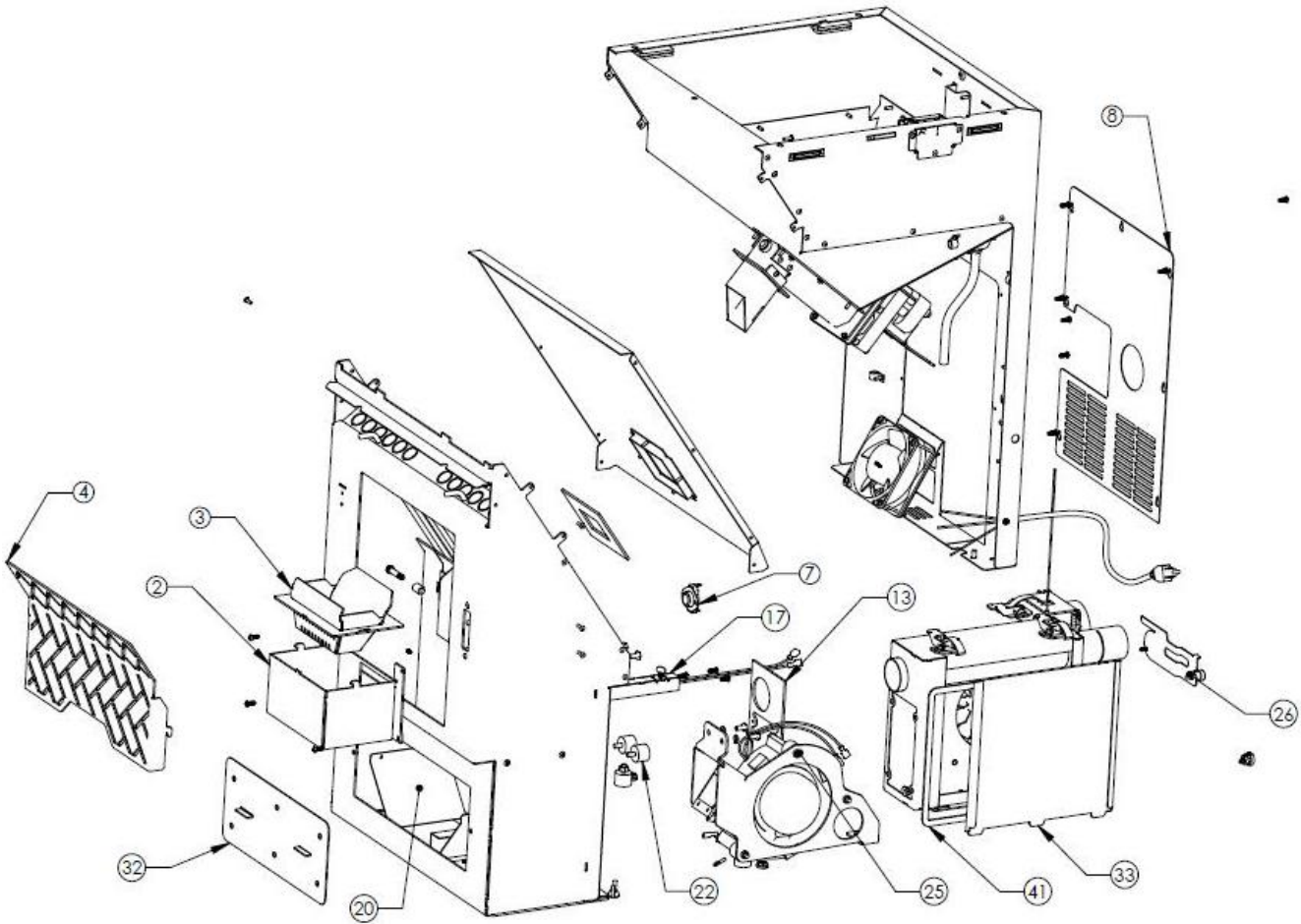
TROUBLESHOOTING (CONTINUED)

PROBLEM	CAUSE	SOLUTION
Stove Will Not Start (continued)	4. Air Inlet Damper setting	*Check for proper setting. Too much air or not enough air will affect starting time. *Check for blockage in the air intake connector and fresh air intake.
	5. Excessive negative pressure in the room	*Turn off fan forced exhaust systems such as kitchen vents, clothes dryers etc.... *Balance pressure in the room by opening a window.
	6. Clogged combustion blower or exhaust system	*Inspect and clean venting. *Inspect, and clean combustion blower through the exhaust manifold. *Check air passage below and behind the burn grate area.
	7. Defective combustion blower	*Check for operation of the combustion blower .
Fuel feeds into the burn grate but will not start. Burn grate fills with fuel and then shuts down.	1. Burn Grate is not installed or seated properly.	*Ensure grate is installed and seated properly.
	2. Burn Grate is clogged.	*Remove and inspect burn grate. Remove all ash and clinkers. *Ensure air holes are free of debris or build-up.
	3. Igniter is not glowing or not installed properly.	*Remove burn grate, close door, and re-start the appliance. If the igniter does not glow red inside the tube it is defective. *Remove back panel and confirm wire connections and condition of wires. *If igniter is defective, the stove can be started manually. See manual lighting instructions.
	4. Air Inlet Damper setting,	*Check for proper setting. Too much air or not enough air will effect starting time. *Check for blockage in the air intake connector and fresh air intake.
Unit starts, fuel feeds and starts properly, but heat output is inadequate	1. Control Board	*Increase HEAT LEVEL setting. *Turn Convection Fan speed to a lower setting. *Confirm mode of operation. *Confirm proper operation of convection fans.
	2. Air Inlet Damper setting	*Check the setting of the air damper. It may have been accidentally closed or opened all the way. *Follow "Fine Tuning" procedure in this manual.
	3. Heat exchanger needs cleaning.	*Clean heat exchange tubes with tube scrapers and the back wall behind the tubes.
	4. Appliance Setting	*Check air flow patterns, amount of insulation, Location, size of room, ceiling heights and obstructions.

TROUBLESHOOTING (CONTINUED)

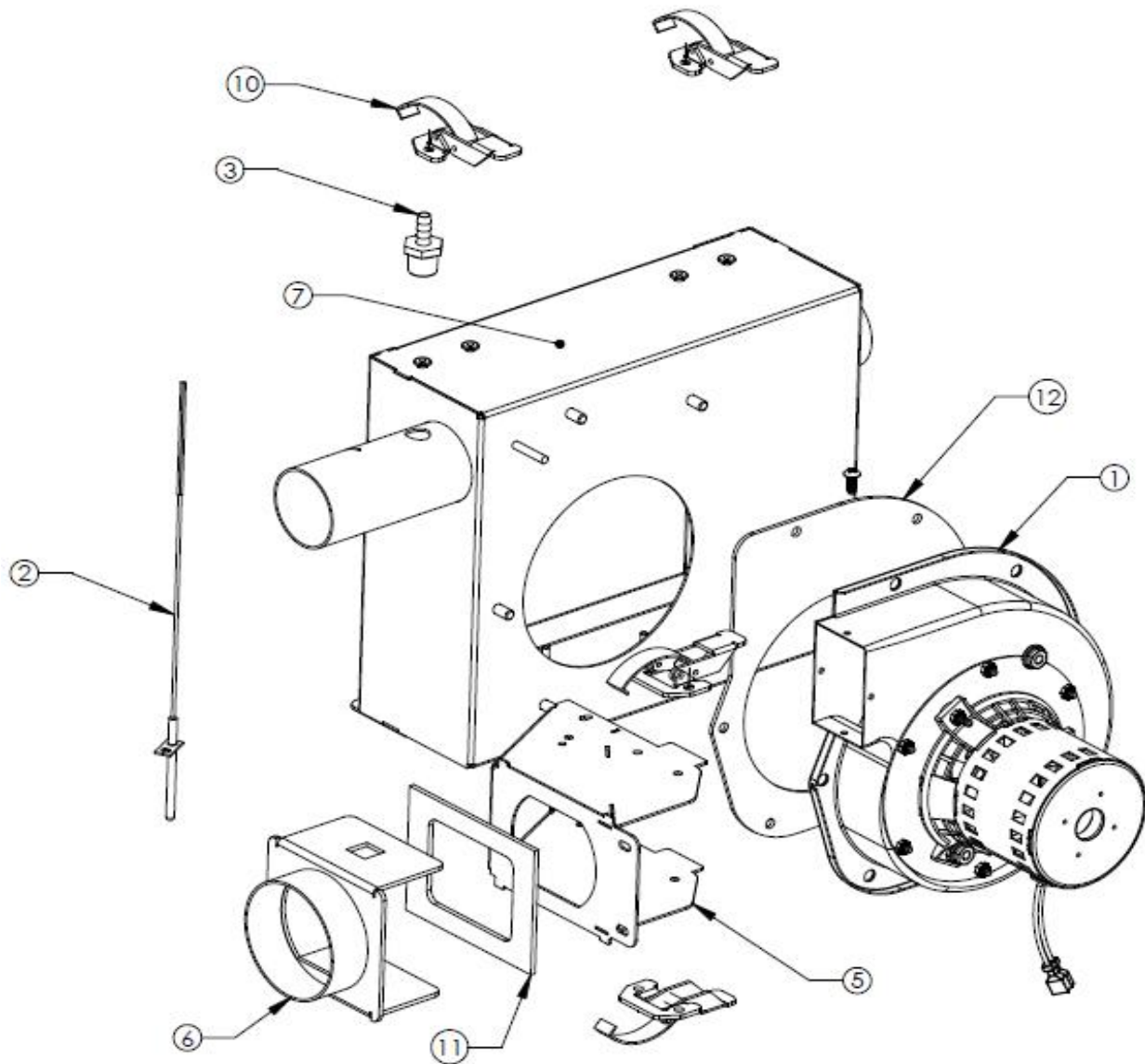
PROBLEM	CAUSE	SOLUTION
Fire burns with a yellow flame. Fuel builds up in the burn grate. Window gets dirty quickly.	1. Insufficient combustion air.	<ul style="list-style-type: none"> *Increase the air inlet damper setting. *Check for blockage of air intake both inside as well as outside. *Confirm proper placement of burn grate. *Inspect and clean burn grate.
	2. Fuel	<ul style="list-style-type: none"> *Inspect fuel for amounts of fines and debris. *Change to dry clean fuel. *Use high quality premium grade fuel. *Adjust or fine tune feed rates.
	3. Air Leaks	<ul style="list-style-type: none"> *Ensure glass and gasket seated properly *Ensure door is closed and latched securely *Check ash pan and gasket, secure and tight. *Ensure burn grate is installed and seated properly.
	4. Combustion Blower	<ul style="list-style-type: none"> *Check and clean ash build up on fan propellers and exhaust intakes and venting. *Check for blockages. *Check for proper voltage to the stove *Replace defective part and gasket.
	5. Exhaust System	<ul style="list-style-type: none"> *Check for blockage, ash buildup. *Inspect vent cap and clean out tee. *Too many elbows, too long of run, or change size *Protect venting from extreme weather elements.
Smoke or smoke smell spillage.	1. Exhaust System	<ul style="list-style-type: none"> *Inspect all joints to ensure venting is gas tight. Hi-Heat RTV silicone as required . *Inspect combustion blower and gasket area, ensure a tight fit.
	2. Over Feeding. Fuel overflowing burn grate	<ul style="list-style-type: none"> *Check air inlet damper for proper setting. *Reduce Heat Level setting.
The stove keeps going out.	1. Fresh unburned fuel or powder like ash build up in the grate.	<ul style="list-style-type: none"> *Check air inlet damper, may need more air. *Fine tune feed rate, to lower amount of fuel (T1 CCW) *Ensure good quality dry fuel supply. *Proper maintenance and cleaning.
	2. No fuel or ashes found in The burn grate	<ul style="list-style-type: none"> *Adjust air inlet damper to reduce amount of air to burn grate. * Check auger operation to ensure that it is feeding pellets. *Adjust control to increase fuel feed rate. (T1 CW)
The stove will not shut off.	1. Control	<ul style="list-style-type: none"> *Press OFF touch pad, the stove will continue to run until the exhaust temperature has cooled properly *Confirm mode of operation
	2. Wall Thermostat	<ul style="list-style-type: none"> *Ensure wall thermostat is turned down below the room temperature.(Thermostat On/Off Mode) *Unit will not shut off in the (Thermostat Modulated mode). You must press the OFF touch pad.

REPLACEMENT PARTS LIST



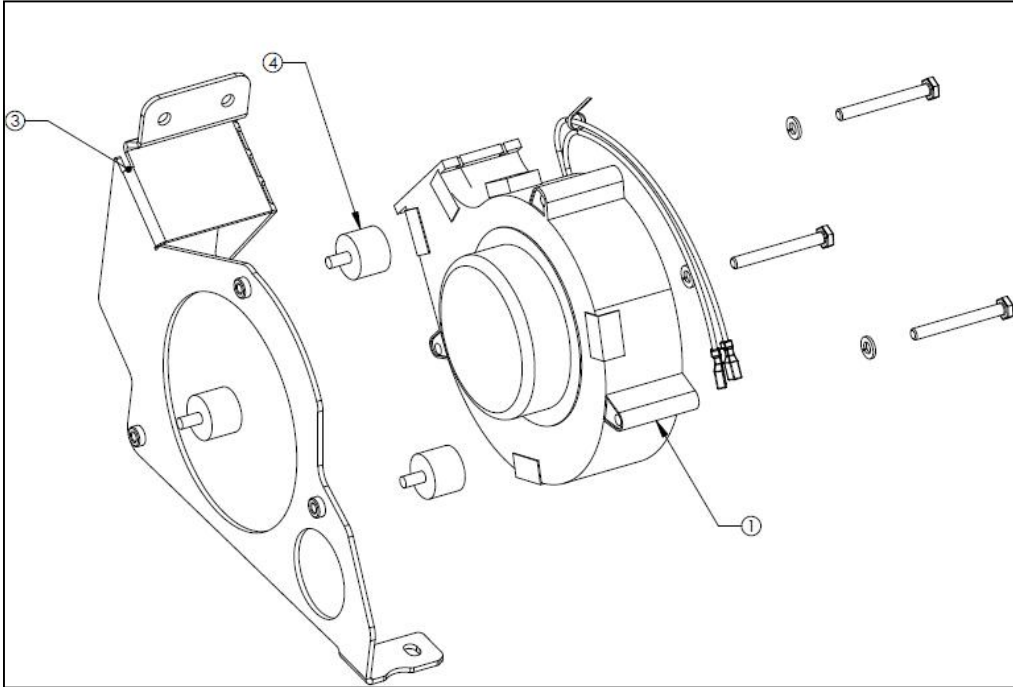
ITEM NO.	Default/	PART NUMBER	Revision	DESCRIPTION
2	1	VS0112	E	Burn Pot
3	1	vs1114	A2	STOVE BURN POT
4	1	VS0116	E1	Decorative Plate
7	1	VS0906 (SE-L250)	A	250° SNAP SWITCH
8	1	VS0167	E	REAR ACCESS PANEL
13	1	VS0936	C	EXHAUST MANIFOLD GASKET
17	1	VS1179	D	IGNITER ASSEMBLY, STOVE
20	2	VS0184	D1	ASH DIVERTER
22	6	VS0907	-	NEOPRENE VIBRATION MOUNT
25	2	VS1925	F	CONVECTION BLOWER ASSY
26	1	vs0139	F	DAMPER BLADE
32	1	vs1198	A1	LOWER ACCESS PLATE ASSM
33	1	vs0147	E1	ACCESS PANEL, MANIFOLD
41	1	VS0946	A	GASKET, ASH PAN

REPLACEMENT PARTS LIST (CONTINUED)

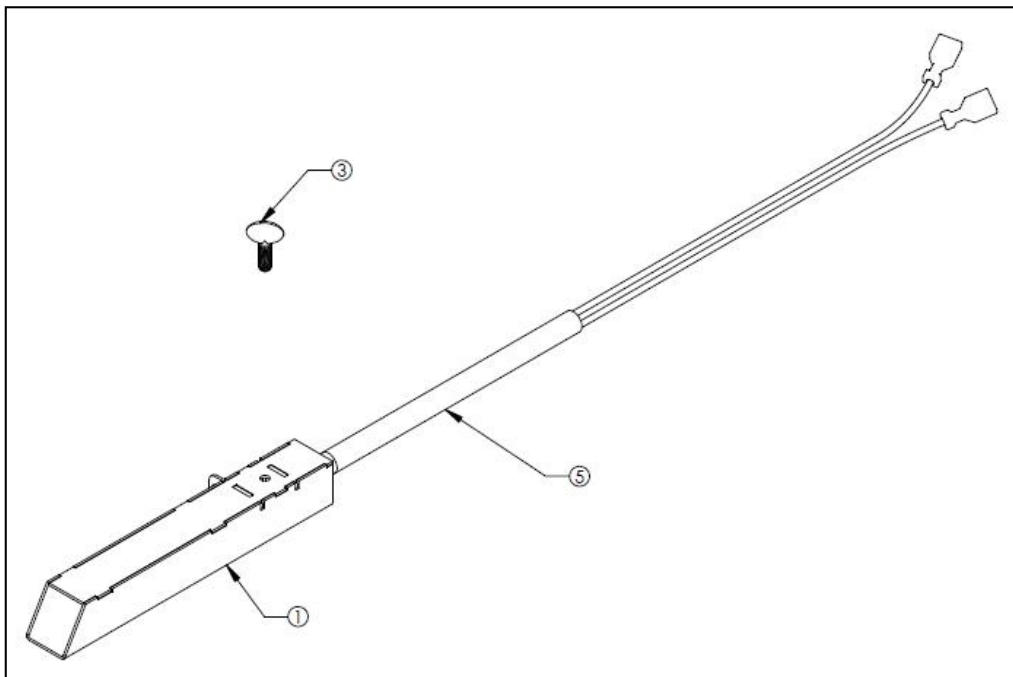


ITEM NO.	QTY.	PART NUMBER	Revision	DESCRIPTION
1	1	vs0923	B	COMBUSTION BLOWER
2	1	VS0927	A	RTD PROBE
3	1	VS0930		MALE HOSE BARB
5	1	VS1171	E1	EXHAUST TRANSITION ASSY
6	1	VS1172	E	EXHAUST QUICK DISCONNECT
7	1	VS1148	D1	EXHAUST SUB-ASSY
10	4	VS1214	-	CLAMP
11	1	VS0961	A	EXHAUST MOUNT GASKET
12	5	VS0941		COMBUSTION BLOWER GASKET

REPLACEMENT PARTS LIST (CONTINUED)

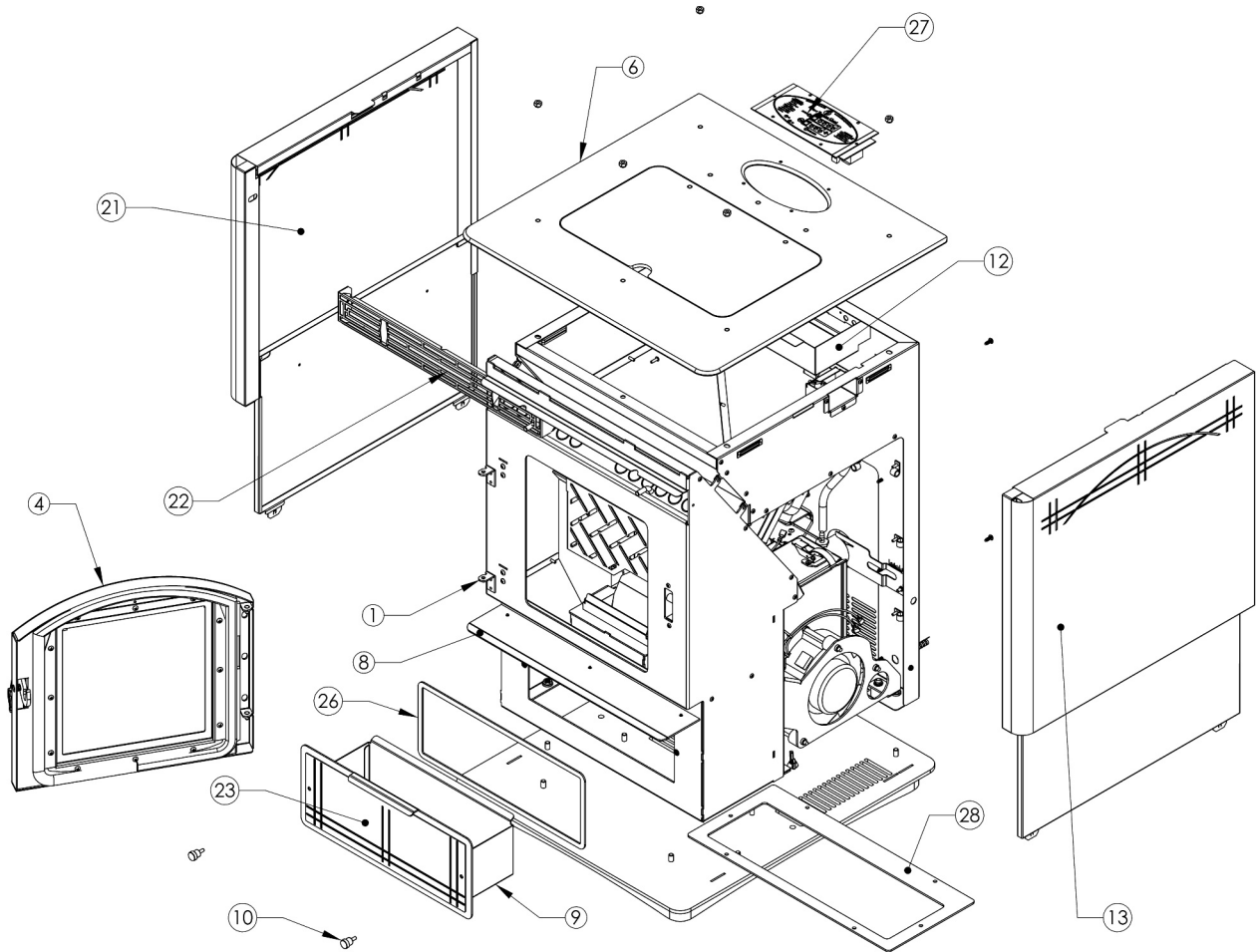


ITEM NO.	QTY.	PART NUMBER	Revision	DESCRIPTION
1	1	VS0925	-	CONVECTION BLOWER
3	1	VS0222	B1	CONVECTION BRACKET
4	3	VS0907	-	NEOPRENE VIBRATION MOUNT



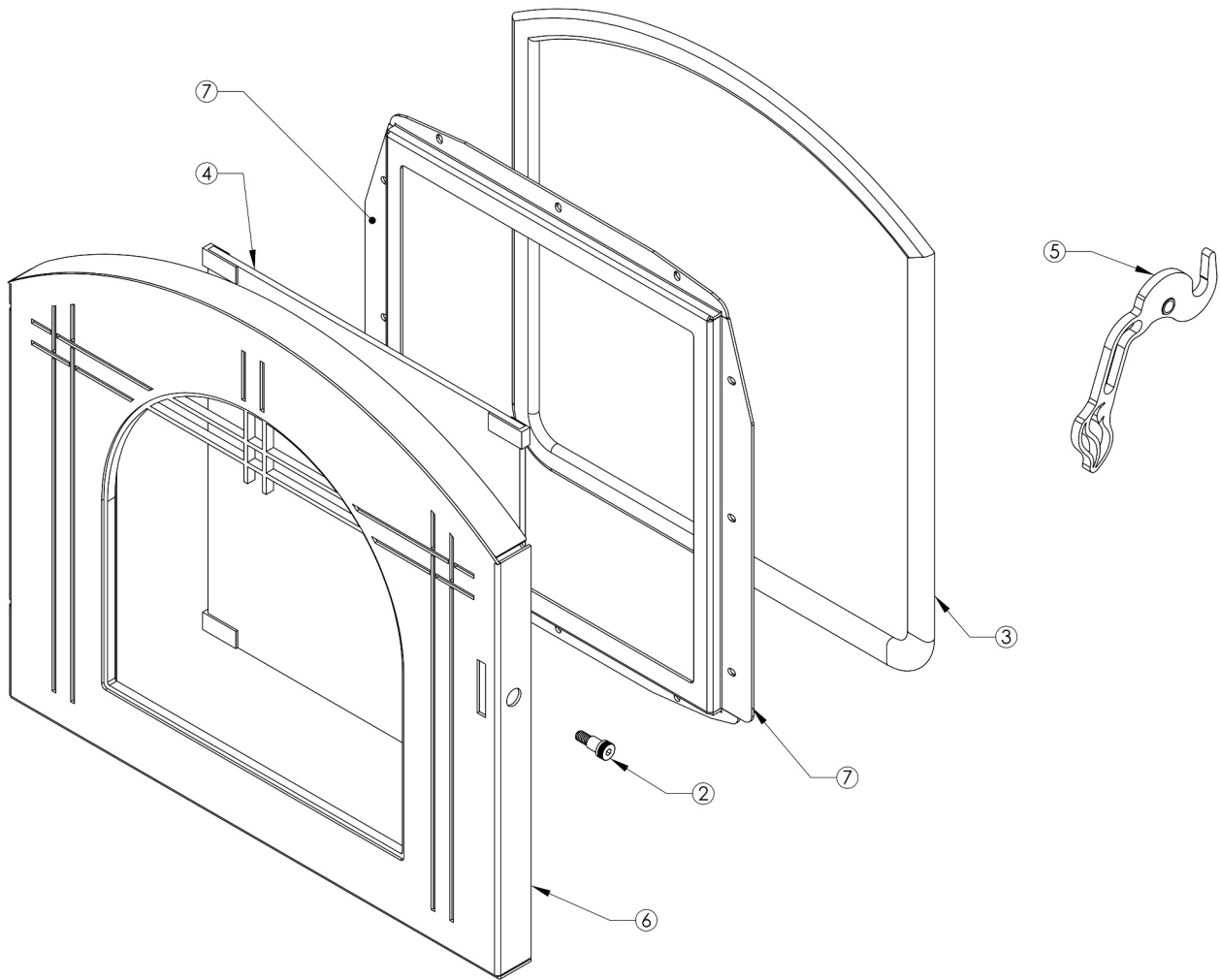
ITEM NO.	QTY.	PART NUMBER	REVISION	DESCRIPTION
1	1	VS1179	D	IGNITER TUBE ASSEMBLY
3	1	VG0929	3	THUMB SCREW
5	1	VS0955	-	IGNITER CARTRIDGE

REPLACEMENT PARTS LIST (CONTINUED)



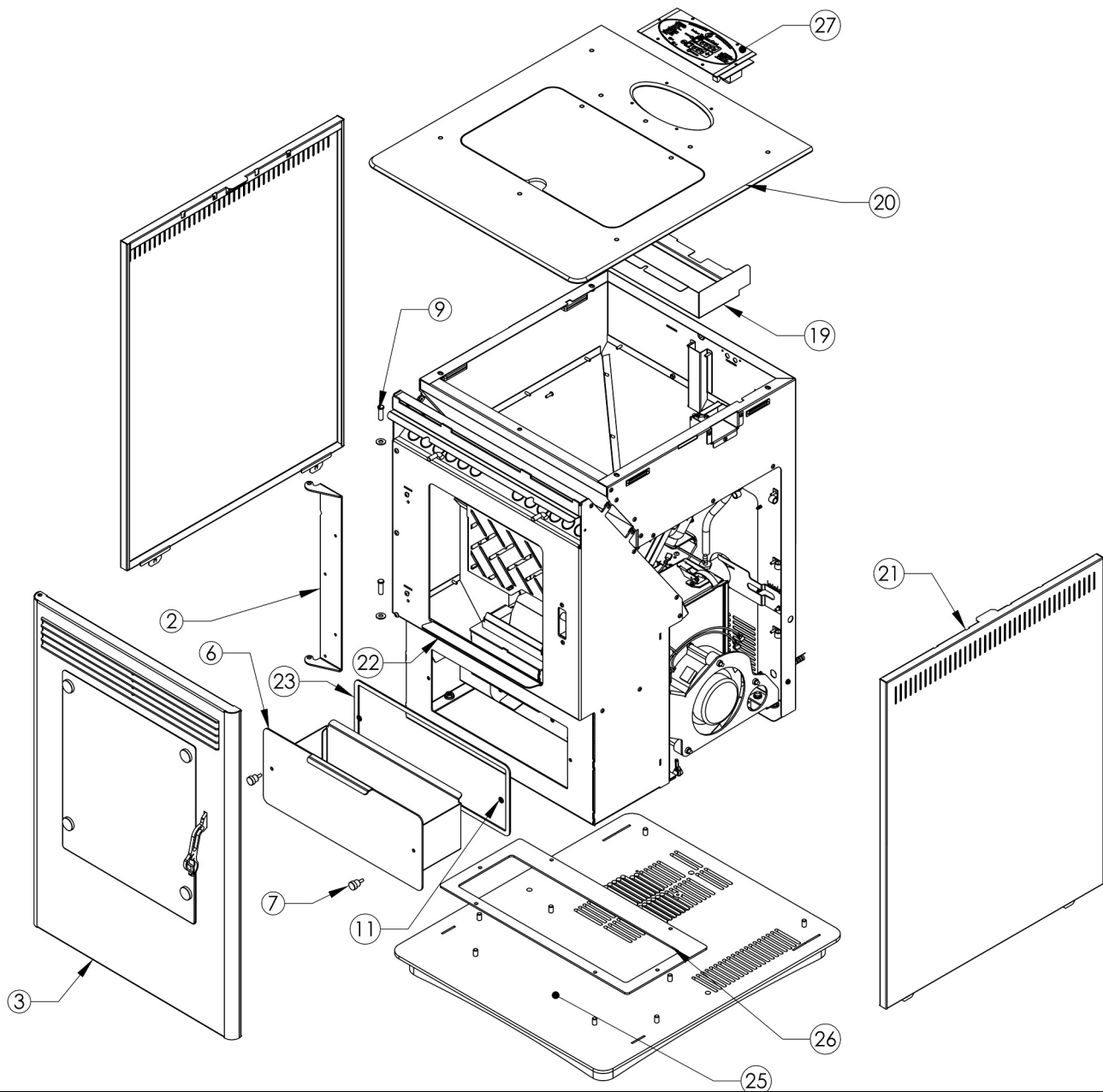
ITEM NO.	Default/	PART NUMBER	Revision	DESCRIPTION
1	2	VS0108	D1	3000 DOOR HINGE BRKT
4	1	VS1118	E1	3000 DOOR FINAL ASSY
6	1	VS2720	E1	3000 TOP ASSEMBLY
8	1	VS0117-S	A	3000 ASH LEDGE
9	1	VS1110	D1	ASH PAN ASS'Y
10	2	VS0998	A	ASH PAN FASTENER
12	1	VS0223	A	CONTROL SHIELD
13	1	VS1701	E	3000 RIGHT PANEL ASSY
21	1	VS1702	E	3000 LEFT PANEL ASSY
22	1	VS0194	A2	3000 DECORATIVE CONVECTION PLATE
23	1	VS0233	A1	3000 ASH PAN OVERLAY
26	1	VS0946	A	ASH PANGASKET
27	1	VS0921	-	BURN 251 CONTROLLER
28	1	VS0944	D	MAIN GASKET

REPLACEMENT PARTS LIST (CONTINUED)



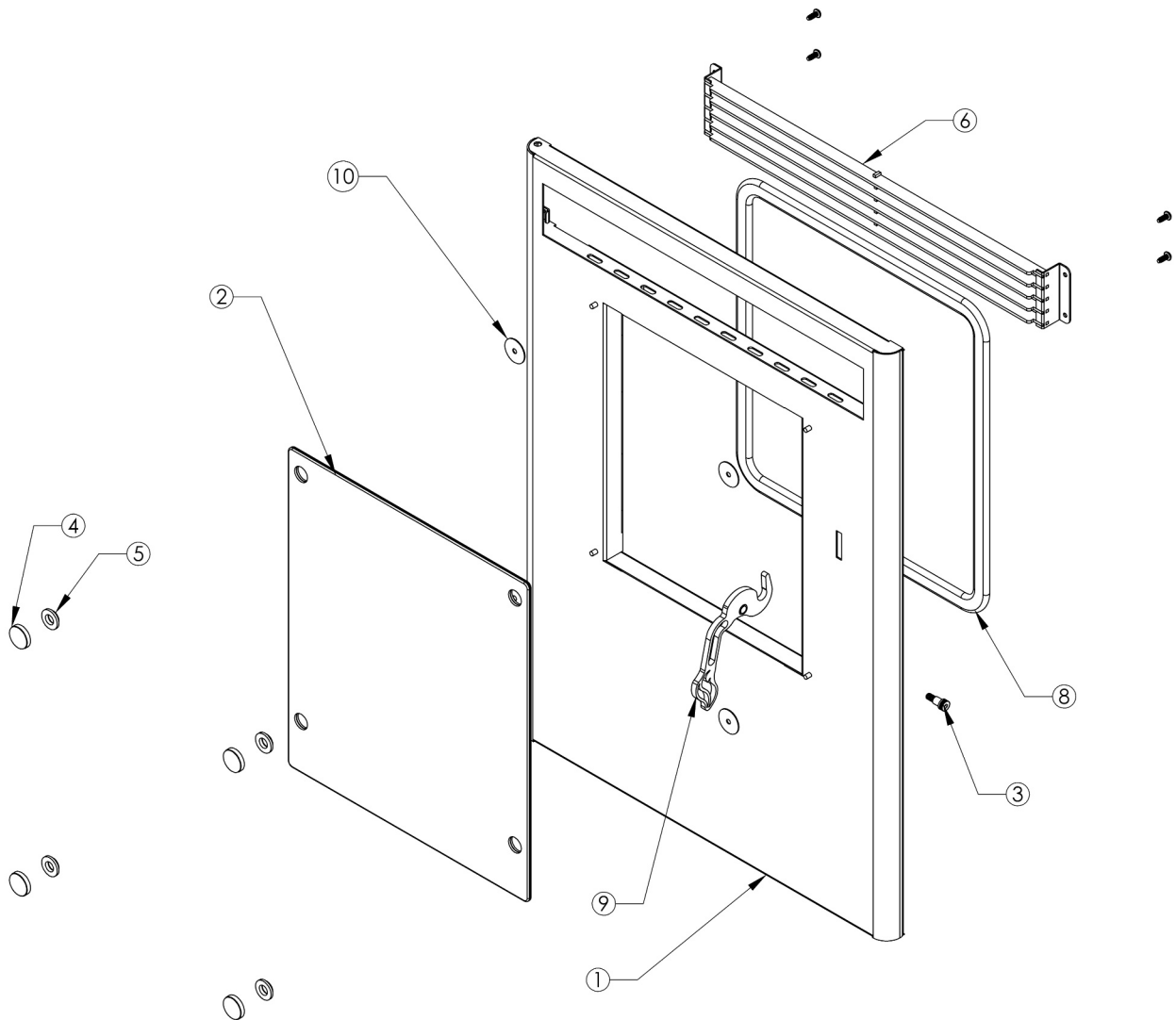
ITEM NO.	QTY.	PART NUMBER	Revision	DESCRIPTION
2	1	DS2234		SHOULDER BOLT X 3/8"
3	1	VS0945	B	3000 DOOR CLIP GASKET
4	1	VS1917	E	GLASS ASSEMBLY
5	1	VS0178	D1	DOOR HANDLE ASSEMBLY
6	1	VS1132	E1	3000 DOOR WELDMENT
7	1	VS0134	F1	GLASS RETAINING PLATE

REPLACEMENT PARTS LIST (CONTINUED)



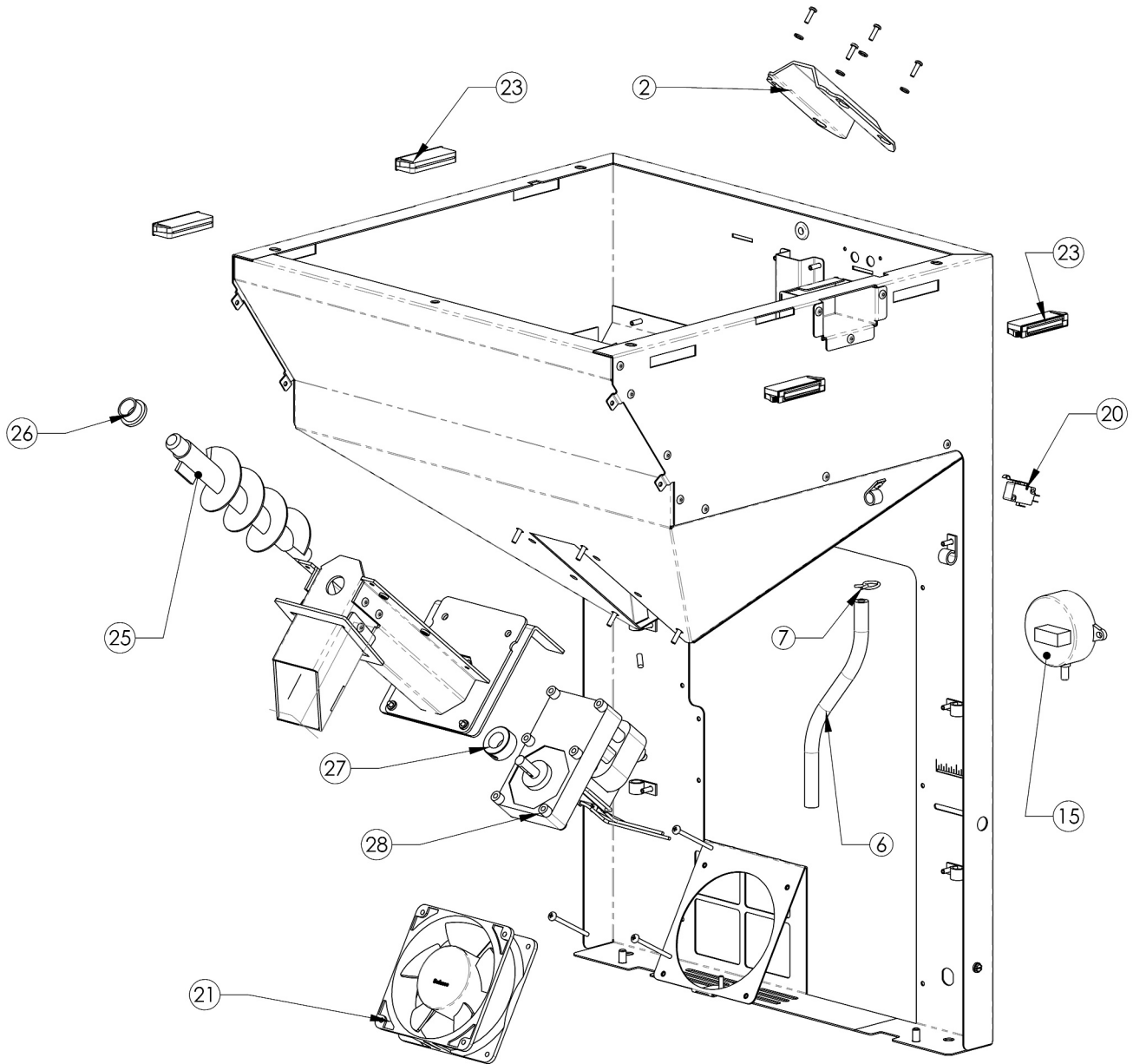
ITEM NO.	Default/	PART NUMBER	Revision	DESCRIPTION
2	1	VS0160	D	4000 HINGE BRKT
3	1	vs1158	D1	4000 DOOR FINAL ASSY
6	1	VS1110	D1	ASH PAN ASS'Y
7	2	VS0998	A	ASH PAN FASTENER
9	2	DS4488	-	4000 DOOR HINGE PIN,
11	2	DS2274		#10 PUSH NUT
19	1	VS0223	A	CONTROL SHIELD
20	1	vs2612	E	4000 TOP ASSEMBLY
21	2	vs0602	E1	4000 SIDE PANEL
22	1	vs0195	-	ASH SHIELD
23	1	VS0946	A	VS0946 ROPE GASKET
25	1	vs1605	D2	4000 BASE ASSY
26	1	VS0944	D	MAIN GASKET
27	1	VS0921	-	BURN 251 CONTROLLER

REPLACEMENT PARTS LIST (CONTINUED)



ITEM NO.	QTY.	PART NUMBER	Revision	DESCRIPTION
1	1	VS1159	D2	VS4000 DOOR SUB ASSY
2	1	VS0933	C	4000 VIEWING PANEL
3	1	DS2234		MCMMASTER # 91259A576
4	4	VS0934	F	GLASS RETAINING FASTENER
5	4	vs0935	-	DU-CO # AS-2277
6	1	VS1610	D	4000 GRILL HORIZONTAL
8	1	VS0945	B	C-E16880-00-00; .560" DIA; 3" CLIP GASKET
9	1	VS0178	D1	DOOR HANDLE ASSEMBLY
10	4	VS0225	A	AIR WASH SPACER

REPLACEMENT PARTS LIST (CONTINUED)



ITEM NO.	QTY.	PART NUMBER	Revision	DESCRIPTION
2	1	VS0211	D	AUGER COVER
6	1	VS0931	-	1/4" I/D HI-TEMP HOSE
7	1	VS0996	-	HOSE CLAMP
15	1	VS0929-1	B	VACUUM SWITCH (0.07"/+/-0.03WC)
20	1	VS0913	-	SWITCH
21	1	VS9902	-	COOLING FAN
23	4	VS0956	-	PANEL MAGNET
25	1	VS9901	A1	PELLET AUGER, STOVE
26	1	VG0904	A	BUSHING
27	1	VG0912	A	SHAFT RETAINER BUSHING
28	1	VS0908	A	GEAR MOTOR

HEARTH LAND PELLET STOVES LIMITED WARRANTY

The Hearthland Pellet Stove carries a five (5) year Limited Warranty from the date of purchase to the original owner against defects and workmanship on all steel parts (excluding the burn grate), and two (2) years on electrical components. Specifically, there is no warranty on the paint, glass, burn grate, and gaskets or against damage caused from corrosion.

Your purchase must be registered with Hearthland Products, LLC. The Warranty Registration can be completed at www.hearthlandproducts.com under the Product Support page.

All claims under this Limited Warranty must be made through the Dealer where your stove was purchased. If an inspection by the Dealer indicates that a Limited Warranty claim is justified, and all conditions of this Limited Warranty have been met, the manufacturer's total responsibilities and liabilities shall be to repair or replace, at the manufacturer's option, the defective part(s). All costs of removal, shipment to and from the Dealer or manufacturer, any losses during shipment and reinstallation, and any other losses due to your stove being removed, shall be covered by the owner of the stove.

Exceptions to the Limited Warranty

There is no written or implied performance warranty on Heartland Pellet Stoves as the manufacturer has no control over the installation, operations, cleaning, maintenance or the type of fuel burned.

This Limited Warranty will not apply if your stove has not been installed, operated, cleaned and maintained in strict accordance with the manufacturer's instructions. Burning anything other than Premium Grade wood pellets may void the Warranty. The Warranty does not cover damage or breakage due to misuse, improper handling or modifications.

NEITHER THE MANUFACTURER, NOR THE SUPPLIERS TO THE PURCHASER, ACCEPTS RESPONSIBILITY, LEGAL OR OTHERWISE, FOR THE INCIDENTAL OR CONSEQUENTIAL DAMAGE TO THE PROPERTY OR PERSONS RESULTING FROM THE USE OF THIS PRODUCT. ANY WARRANTY IMPLIED BY LAW, INCLUDING BUT NOT LIMITED TO IMPLIED WARRANTIES OF MERCHANT-ABILITY OR FITNESS, SHALL BE LIMITED TO ONE (1) YEAR FROM THE DATE OF ORIGINAL PURCHASE. WHETHER A CLAIM IS MADE AGAINST THE MANUFACTURER BASED ON THE BREACH OF THIS WARRANTY OR ANY OTHER TYPE OF WARRANTY EXPRESSED OR IMPLIED BY LAW, MANUFACTURER SHALL IN NO EVENT BE LIABLE FOR ANY SPECIAL, INDIRECT, CONSEQUENTIAL OR OTHER DAMAGES OF ANY NATURE WHATSOEVER IN EXCESS OF THE ORIGINAL PURCHASE PRICE OF THIS PRODUCT. ALL WARRANTIES BY MANUFACTURER ARE SET FORTH HEREIN AND NO CLAIM SHALL BE MADE AGAINST MANUFACTURER ON ANY ORAL WARRANTY OR REPRESENTATION.

Some states do not allow the exclusion or limitation of incidental or consequential damages, or limitations of implied warranties, so the limitations or exclusions set forth in this Limited Warranty may not apply to you. This Limited Warranty gives you specific legal rights and you may have other rights, which vary from state to state.

The Limited Warranty for five (5) years is in lieu of all other warranties expressed or implied, at law or otherwise, and HP does not authorize any person or representative to assume for HP any obligation or liability in connection with the sale of this product. This means that no warranties, either expressed or implied are extended to persons who purchase the product from anyone other than HP or an authorized HP Dealer or Distributor.

HEARTH LAND PELLET STOVES LIMITED WARRANTY (CONT'D)

Procedure for Warranty Service

It is Hearthland Products policy that **NO** pellet appliance be returned to any dealer without prior authorization from **Hearthland Technical Service Department**.

1. Complete Warranty Registration online at www.hearthlandproducts.com under Product Support or mail the Warranty Registration Form at the end of this Owner's Manual.
2. Contact your nearest Hearthland Products Dealer for service and/or part replacement as stated under the conditions of the Limited Warranty.
3. Be prepared to provide the following: purchaser's name, date of purchase, copy of dated sales receipt, model and serial number of product and an accurate description of the problem.

We strongly recommend you first contact your nearest Hearthland Products Dealer for sales and service. If further assistance is needed call Hearthland Products Customer Service and Technical Support at 1-888-883-2260.

This page left intentionally blank

WARRANTY REGISTRATION FORM

Register online at www.hearthlandproducts.com under Product Support or complete and return this Warranty Registration Form within 30 days of purchase to register your warranty.

Warranty coverage begins on the original date of purchase. Proof of original date of purchase from an authorized Hearthland Products Dealer is required to validate Warranty. Without receipt of Warranty Registration and proof of date of purchase, the warranty will begin from ship date to Dealer or Retailer.

**required fields*

First Name* _____

Last Name* _____

Mailing Address* _____

City* _____

State/Province* _____

Postal Code* _____

Country* _____

Phone Number _____

Email _____

All product information is located on the sticker on the back of the stove.

Model* _____

Model Number* (circle one) VS3000(Itasca) VS4000(Nokomis)

Serial Number* OMNI- _____

Send Warranty Registration and dated sales receipt to:

Hearthland Products, LLC.
Memphis Grill Warranty Registration
9111 Grand Ave South
Bloomington, MN 55420

Contact Hearthland Products Customer Service with any questions.
1-888-883-2260