



*Memphis*  
**WOOD FIRE GRILLS™**



## Memphis Owner's Guide

Pro, Advantage, Select, Pro Built-In

Congratulations on your purchase of the Memphis Wood Fire Grill. With proper care and maintenance, your grill will give you years of trouble-free operation. Please review the following information carefully for useful tips and information that will help you utilize your grill's extensive features and benefits.

Keep in mind that your Memphis Wood Fired Grill is so much more than a grill. It's a 3-in-1 outdoor cooking center that provides the convenience, wood-fire flavors and versatility of three appliances: high temperature grill, low 'n' slow smoker, high-performance convection oven.

Fueled by certified 100% natural wood pellets, the Memphis has a digital Intelligent Temperature Control (ITC) that automatically maintains your desired temperatures from 180 to 650 degrees, just like your indoor oven. The result is a simple "set it and forget it" way to cook, bake, roast, sear or low and slow smoke; just set the desired temperature, sit back and enjoy.

We all have our favorite recipes and cooking tricks. We suggest you experiment with your new grill to discover just how many ways it adds to your outdoor cooking experience. With a little time and effort you'll amaze your friends and family with your impressive culinary skills. Like many others, you'll find that your Memphis Wood Fired Grill will become your cooking appliance of choice for barbecuing, smoking, and a secondary oven source for holidays or social gatherings.

Please complete the below information for quick and easy reference for your records. Additionally, complete the online Warranty Registration using the below information to validate the Warranty. At the end of this Owner's Manual is a printed copy of the Warranty Registration if you choose to mail in your form. Your model and serial number are located on the sticker under the hopper lid.

Model _____
Model Number: VG _____
Serial Number: (last 4-5 digits) _____
Date of Purchase _____
Purchased From _____

Hearthland Products, LLC.  
9111 Grand Ave South  
Bloomington, MN 55420  
888-883-2260  
<http://www.memphisgrills.com>

**Contents**

General Warning: Read all Safety Information Prior to Operating Grill .....	1
How Your Memphis Wood Fired Grill Works.....	2
Read Prior to Lighting! .....	3
Intelligent Temperature Control - Overview .....	4
Using Your Memphis Wood Fired Grill .....	5
Operating Instructions .....	6
Memphis ITC Meat Probe .....	8
Information About BBQ Cooking Pellets .....	9
Periodic Grill Maintenance .....	10
Recommended Grilling Accessories .....	12
Food Handling and Safety .....	13
Grilling Times and Temperatures .....	14
Smoking Guidelines .....	16
Smoking Suggestions .....	17
Troubleshooting .....	18
Limited Warranty .....	20
Warranty Registration Form .....	23



## General Warning: Read all Safety Information Prior to Operating Grill



- For outdoor use only. Do not use in any enclosed area.
- Keep grill 30" (76cm) or more from any combustible surface.
- To prevent grease fires, clean your grill on a regular basis. This includes the Savorizer® and grease tray. ***Should a grease fire occur, turn off the grill, remove food (use your judgment), and leave the hood closed until the fire is out. DO NOT unplug the grill unless absolutely necessary; fans will continue to run until the fire is extinguished. When cooking exceptionally greasy foods, put a foil pan below the food to catch the grease.***
- Do not put anything flammable in the storage area under the grill.
- Do not leave sealed containers of food on or near the grill.
- Always operate the grill with the grill hood in the closed position.
- Keep the grill's rear ventilation slots clear of obstructions.
- It's recommended that you regularly check your Memphis Grill for burn pot obstructions to make sure proper air flow is maintained. See **Periodic Grill Maintenance** in this manual for correct procedures.
- Accessible parts of the grill are very hot. Keep young children away while in use.
- Exercise reasonable care when operating your grill. When children are present, adult supervision is recommended.
- Do not use lava rocks or charcoal in your grill.
- To avoid the chance of serious burns, never lean over an open grill or place hands or fingers on the front edge of the cooking box.
- The grill should be plugged into a GFCI (Ground-Fault Circuit Interrupt) outlet.
- When not in use or in the cool-down cycle the grill should be unplugged.
- Use heat-resistant barbecue mitts or gloves when operating this unit.
- Do not move or clean your Memphis Wood Fired Grill while operating or while the grill is hot. Make sure the fire is completely out, and that the grill is completely cooled before transporting or cleaning the grill.
- If the power cord becomes damaged, do not operate the grill.
- Grill should be operated **ONLY OUTDOORS**.
- Do not use aerosols, liquids or damp-materials on or near the grill while it is hot.
- Do not cover the entirety of the cooking surface when grill is hot. Leave at least 2 inches of clearance from the sides and back of the grill body.
- Any modifications (holes, screws, sheet metal changes) to the grill will void warranty.



## How Your Memphis Wood Fired Grill Works:

Your Memphis Wood Fire Grill represents a new way of outdoor cooking. It is a true high quality convection oven that also has grilling and smoking capability. It combines many unique features with time-proven pellet-burning technology. Together they give you controlled, quick, savory and repeatable cooking results. The perfect cooking experience starts with filling your hopper with all-natural, 100% certified hardwood BBQ pellets. We recommend "Natures Way" flavored BBQ pellets.

Simply pushing the ON Button will fully ignite your grill. The grill will reach your desired temperature within minutes of ignition. The ITC convection system and automatic auger feeds the wood pellets from the hopper into the burn pot, where they are ignited using super-heated air. The Intelligent Temperature Control allows you to set the cooking method and desired temperature, and will adjust for ambient conditions. Convection/circulation fan(s) provide combustion air to the burn pot and provides convective cooking air by distributing the heat evenly throughout the cooking area. The natural smoke flavor produced by the burning pellets, the vapor produced by the juices dripping on the Savorizer®, and the air circulating throughout the cooking area, combine to give you the unique flavor that can only be achieved using a Memphis Wood Fired Convection Grill. A video explaining this procedure is available on our website or YouTube.

### Grill Features

- Easy to use Intelligent Temperature Control (ITC) capable of smoking, barbecue, grilling, baking and searing temperatures.
- Memphis ITC Meat Probe functionality for hands-off, precision grilling \*
- Extra-large capacity hopper.
- Heavy-duty stainless steel construction.
- Cooking area is dual-wall and oven gasket sealed for maximum heat retention\*\*.
- Attractive craftsmanship and high quality performance.
- Low CFM Fan causes pellets to burn and produce true convection oven cooking. Auto Start button & electric igniter eliminate the need for matches & lighter fluids.
- Smoking Mode gives you that savory flavor on demand and is programmable from 180°-295°F\*\*\*.
- Cooking Mode allows for grill temperatures up to 500°F(Select), 600°F(Advantage), and 650°F(Pro).
- Savorizer® reduces the chance of flare-ups and assists in even heat distribution.
- Stainless steel burn pot designed for high performance and longevity.
- 427 square inch main cooking area that can be increased to 970 (depending on model) square inches with the optional grates.
- Total cooking volume of nearly 4,000 cubic inches for large roasts and turkeys.
- Grease drawers with disposable liners make for no fuss cleaning.
- Large, locking casters that swivel and lock for easy maneuverability.
- Two stainless steel side shelves (optional on Memphis Select) offer a durable easy to clean surface.
- Steel cooking grids for years of reliable service.
- Made in the USA.

\* Meat probe is standard with Pro and Built-In, optional on other models

\*\*Gasket seal only on Pro model

\*\*\* 180° minimum set point available on Memphis Pro and Built-In only.



## **Read Prior to Lighting**

### **Initial Burn Off**

Before cooking for the first time, we recommend that you “burn off” the grill to rid it of any foreign matter used in the manufacturing process. Prior to burn-off, completely remove the plastic film on all stainless steel surfaces. Failure to do so will cause the film to melt to the metal, and it will be extremely difficult to remove. Remove the cooking grates and wash with a mild soap or detergent. Replace the grates, light and operate the grill at 450F (in cook mode) with the hood down for 20 minutes. After burn-off, turn the grill OFF.

### **Lighting your Grill**

It is recommended practice to go through the **Periodic Grill Maintenance** (pg. 10) procedures frequently. This will ensure proper ignition of the pellets and is part of the normal maintenance procedure. Light per instructions found in detail in this manual. If the grill fails to light, it is most likely due to a dirty or plugged burn pot and/or a burn pot obstruction blocking the igniter air passages. (refer to **Using Your Memphis Wood Fired Grill** on page 5 for cleaning instructions.)

### **Hood Position**

Always cook with the hood closed. Cooking with the hood closed keeps the temperature even, cooking the food faster while using less fuel. A closed hood also helps to create a smokier flavor. If the hood is left open for an extended period of time, it will cause the ITC to increase the fuel feed rate in an effort to increase the grill temperature. This could result in an overloaded burn pot.

Instead of frequent, visual checks of your food, the use of an Memphis ITC Meat Probe is recommended. This tool can be routed through the 5/16” hole in the side of the Memphis Select or Advantage, or under the hood gasket on the Pro or Built-In to prevent damage to the wires. See “Memphis ITC Meat Probe” on page 8 for further instructions on the use of a meat probe.



## Intelligent Temperature Control - Overview

### About the ITC:

The ITC performs similarly to the control on your kitchen oven. The ITC automatically compensates for different ambient conditions, providing year-round grilling and more accurate temperature control. Setting the control is simple and intuitive, and offers the user a precise and highly-customizable grilling experience.

### Control I/O, ON/OFF Touch Pad

This pressure-sensitive touch pad is used to turn the grill on and off.

### LED Display

This will display the temperature of the grill, as well as any other pertinent information.

### Display Touch Pad

Pressing this will toggle the display between the set temperature and the actual current temperature of the meat probe, or the grill itself.

### Meat Probe Port

Plugging the optional probe into this port will allow the user to access the meat probe functionality of the ITC.



### Pellet Prime Touch Pad

Pressing this will feed more wood pellets to the burn pot. This can be used to add more fuel just before opening the grill hood to help with quicker heat recovery, or to prime the auger during the grill's first start up

### Temperature Set Touch Pad

By pressing either the up or down arrows, the set temperature can be moved in 5 degree increments.

### Probe Display Pad

Pressing this will toggle between the settings for the meat probe and those for the grill itself

### Indicator Lights

These LED's indicate which mode cooking the grill is in, as well as whether you are setting the temperature or viewing the current temperature. These lights will also blink when the igniter is active, or the grill is in cool-down.



## Using Your Memphis Wood Fired Grill

Prior to starting your cooking center, inspect the burn area inside the grill. It's a recommended practice to go through this procedure at initial start up and after every few uses to ensure peak performance. Actual necessary frequency varies depending on usage and fuel type.

1. Open the hood and remove the cooking grates.
2. Remove the Savorizer®. The Savorizer® helps distribute heat, contains fly ash, and keeps the flame from making direct contact with cooking grids.
3. If necessary, check the burn pot area, remove any foreign items to ensure that the air holes in the burn pot are clear. This will allow a quicker and more efficient ignition. Take precautions not to damage the igniter wiring connections or pull the igniter out of the igniter tube.
4. Re-install the Savorizer®.
5. Reinstall the cooking grates.
6. Open the pellet hopper lid, found at the front of your grill on the Select and Advantage, or at the back of the Pro. Check for any foreign objects
7. Fill your hopper with Nature's Way cooking pellets. Close the hopper lid. *Note: hopper does not need to be absolutely full for every use.*
8. Plug your Memphis Wood Fired Convection Grill into the nearest 110 Volt AC outlet\*. (Note: Use a GFI Outlet. We strongly recommend that if your home does not have a GFI outlet that you install one, or use a high quality outdoor surge protector.
9. When you are finished using your grill, and the grill has gone through its cool-down, unplug it. It is also recommended that the grill be covered when not in use.

**\* 230 Volt for European**

**\*\*Note: Your Grill will function best if operated on a level surface.\*\***

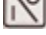




## Operating Instructions: Memphis Wood Fired Grill

### Automatic Start Up

#### 1. To Start

Press the On/Off  touch pad. The shut down mode will begin; a LED light will blink to indicate startup mode. The startup mode is timed to last 30 minutes or until the appliance reaches a temperature above 170°F. After it reaches this “Warm” state, the blinking LED light will become solid.

**2. Set the TEMP DISPLAY Arrows to the desired temperature (Set light will illuminate)** If the grill is set to a temperature less than 300° it will run in Smoke Mode. If set to 300° or above it will run in Cook Mode. The meat probe can be set from 130° to 250°. For more information on the use of the meat probe, consult page 8.

**3. Set TEMP DISPLAY to Actual. (Actual light will illuminate)** Temperature now displayed will be actual temperature in the cooking area. *Note: Actual temperature will fluctuate up or down. This is normal and represents the normal fluctuation of any oven.*

#### Note:

- 1: If hopper was just filled; hold Pellet Prime button in until you hear pellets falling onto the burn pot and release. Then restart the grill by pressing the I/O button. This will allow the grill run its complete start-up sequence.
- 2: Your Grill will smoke for a few minutes while the pellets are lighting and coming to full burn.
- 3: If the fire does not start within 30 minutes, the grill will then automatically shut off. If this happens, some unburned pellets will have built up in the burn pot. Before restarting the fire, clean the excess pellets out of the burn pot and repeat the above steps.

### Fahrenheit VS. Celsius: Converting Your Grill's Temperature Units

Your Memphis grill is capable of working in both Metric and English units. To switch between Fahrenheit and Celsius on the ITC, simply press and hold the UP and DOWN arrow keys at the same time while the grill is on.



## **Operating Instructions: Memphis Wood Fired Grill**

**5. To operate:** Once the Memphis Grill has started, operate as follows;

**Pre-Heat :** This is the beginning stage of cooking or smoking in which the fuel is ignited, and the grill is brought to the set temperature as quickly as possible. You may notice in this stage that, initially, the auger will feed fuel almost constantly. This is to prime the burn pot so that it is able to maintain significant heat. When this stage is concluded, the ITC will maintain selected cooking/smoking temperature, regardless of ambient weather conditions. The duration of this stage will vary somewhat due to differing ambient conditions, set temperatures, and grill models. In most cases, the grill will be in the pre-heat stage for 15 to 25 minutes.

**Cooking Mode:** Temperature will be automatically maintained at your temperature set point. You may notice some fluctuation up and down during this time. This is a normal part of any oven / appliance operation. The grill will automatically switch to this mode when the grill set temp is 300°F or higher.

**Smoke Mode:** Smoking is a variation on grilling and is one of the unique advantages of your Memphis Wood Fired Grill. The temperature you choose will largely depend on what is being smoked (see Appendix B-C) and your personal preferences. The grill will automatically switch to this mode when the grill set temperature is 295° F or lower. Combustion airflow is varied in the smoke mode. You may hear the fan “bellow”, repeatedly turning on and off. This is normal operation.

### **Smoke TIP:**

To vary smoke flavor intensity, experiment with the amount of time you use the smoke mode and the mix of flavored pellets you use along with the all purpose pellets. This is more important if you use stronger flavored pellets such as Mesquite. Switching to smoke mode soon after putting your food on the grill allows the smoke to penetrate the meats before they have a chance to sear closed. The smoke mode works best when a longer cooking time is required, such as large cuts of meat, fish, or poultry. Experiment with the length of time you leave for smoking before cooking thoroughly. Try different combinations of both modes.

### **About The ITC**

The Memphis ITC is a sophisticated controller that monitors your grill and adjusts various systems to maintain your desired cooking temperature. A temperature probe continually monitors the cooking chamber and communicates this data to the ITC. Based on this data, the ITC makes appropriate adjustments to the combustion system. The ITC system, logic and temperature accuracy has been validated with many hours of testing to ensure the highest performance. For optimal performance, cook with the hood closed and keep the probe clean and unobstructed. Allow the ITC adequate time to adjust to any changes in set temperatures.





## Memphis ITC Meat Probe

The Memphis ITC Meat Probe, which comes standard with the Pro and Built-In models, and can be purchased separately for other models, is a must-have accessory for any griller. The ITC Meat Probe conveniently interfaces directly with your grill's ITC control and gives you an easy way to ensure your food is cooked to your predetermined temperature. This feature ensures convenience and delicious, repeatable results—every time.

### Using Your Memphis ITC Meat Probe

#### 1. Plug The Meat Probe In

The 3.5mm audio-style plug inserts directly into the jack on the far right side of the ITC, labeled "Meat Probe". Insert the other end of the meat probe into the thickest portion of your meat item.

#### 2. Turn The Grill ON And Set The Grill Temperature, As Described On Page 6.

#### 3. Toggle The PROBE DISPLAY to "MEAT" (Meat light will illuminate)

Without the meat probe inserted, toggling this will be disabled.

**4. Set TEMP DISPLAY to "SET" And Set Your Desired Meat Temperature. (Set light will illuminate)** This is done much the same as setting the desired temperature of the grill- simply by pressing the up and down keys. The meat probe can be set up to 250°F (121°C)<sup>1</sup>.

**5. Route the probe end through the large hole in the grill's left side, just below the hood.** Pull all the metallic interior cable into the grill, stopping at the ferrule. If using a Pro or Built-In, simply place the probe and interior cable in the grill, then shut the lid on the longer end of the ferrule. This ferrule separates the meat probe's interior and exterior cables. The white, weatherproof exterior cable should never be placed inside of the grill. Doing so will damage the cable, and compromise its weatherproofing.

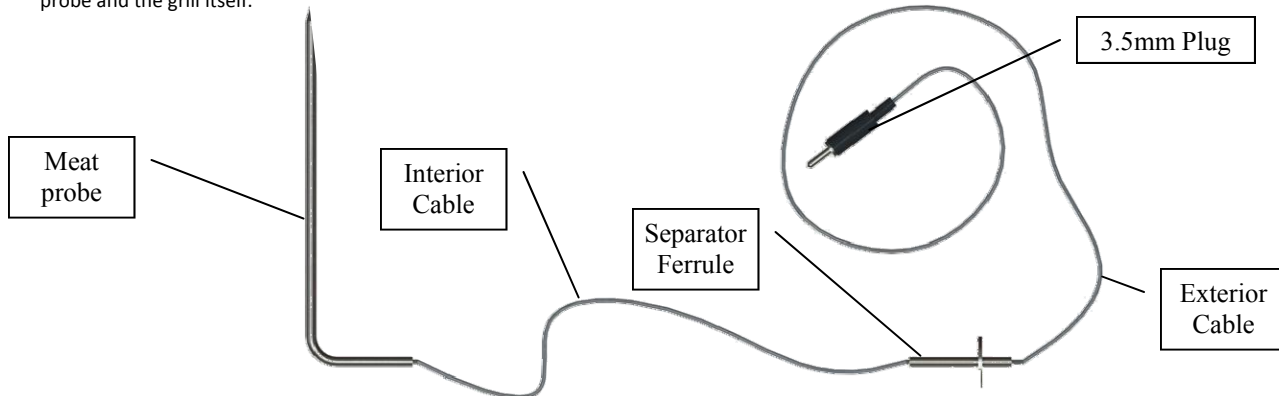
#### 6. Insert The Meat Probe Into Food As Desired.

#### 7. Set TEMP DISPLAY to "ACTUAL". (Actual light will illuminate)

The ITC will display the temperature of the meat in real time.

#### 8. Sit Back and Relax.

The grill will cook the meat until the meat reaches the desired set point. The grill then automatically reduces to its lowest setting- 180°F (80°C) for Pro and Built-In, 200°F (90°C) for Select and Advantage), and displays "Done". At any point during the cook, you can modify the set temperature of both the meat probe and the grill itself.



#### Notes:

- 1: While setting the meat probe set temperature, if the user presses the up-arrow until 250°F (121°C) is displayed, and then presses it one more time, the ITC will display "NOPR". On this setting, the ITC will display the temperature of the meat, but will not enter the "Done" mode at any meat temperature.
- 2: When not in use DO NOT leave the meat probe inside of the grill
- 3: Keep the meat probe as clean and dry as possible. Clean with a damp sponge, or a cloth with a small amount of rubbing alcohol. If exposed to liquids for extended periods of time, the meat probe may display an erroneous reading. In extreme cases the ITC will constantly list the actual meat probe temperature as "32°F" or "0°C". To remedy this, allow the probe cord to dry completely before using it again. Once dry, this accessory will be fully functional.

DO NOT submerge the meat probe when cleaning or place in dishwasher.



## Information About BBQ Cooking Pellets

Flavored pellets come in a variety of flavors such as Mesquite, Alder, Apple, Hickory, Maple and Cherry. They contain approximately 8,200 BTU's of heat per pound and have very little ash and moisture content. Always use Premium BBQ Pellets in your grill. Premium BBQ pellets have a maximum length of 1.5" and are uniform in size and shape. This shorter length and uniformity ensures a higher efficiency and a more consistent, even temperature. Premium pellets are made of certified 100% hardwood. Cooking with pellets made from soft woods, such as pine, should be avoided, as it yields a turpentine-like taste.



**CAUTION:** some wood pellets produced for heating fuel have a high content of softwood or even recycled wood furniture which can include pitch, chemicals or glues and should not be used for cooking. For optimum performance and to ensure you are using clean burning pellets manufactured for cooking, purchase "Natures Way" certified 100% hardwood BBQ pellets. Using low quality BBQ pellets may also adversely affect your grilling temperature performance – especially at low temperatures. **Hearthland Products assumes no responsibility for problems associated with the use of lower quality or heating pellets.** Store pellets in a dry location for optimal performance.

Wood pellets have been in existence for many years, and there are currently more than 125 active pellet mill operations in the United States and Canada, producing millions of pounds of pellet each year. "Natures Way" 100% hardwood BBQ pellets are produced in the same manner as wood pellet heating fuel is produced. Sawdust and clean wood chips are pulverized and dried. The dried material is then processed under heat and pressure. This material is forced through a hard steel die rotating against rollers with pressure over 3,000 PSI. Once the pellets are forced through the final die they are cooled, screened, vacuumed, and then bagged or boxed. No extra adhesives or bonding materials are used in the production of these pellets. Hardwoods contain naturally-occurring compounds called "lignins" that, when heated, act as a bonding material. Store pellets in a dry location for optimal performance. Flavor preference is an individual taste and we suggest you try the different flavors or mixtures of flavors to find the combinations that suit your needs and tastes. (See you local dealer to order individual pellet flavors)

### Flavored Pellet Guidelines

- |                                                                                                                                                                                                                                                                    |                                                                                                                                                                                                                                                                               |
|--------------------------------------------------------------------------------------------------------------------------------------------------------------------------------------------------------------------------------------------------------------------|-------------------------------------------------------------------------------------------------------------------------------------------------------------------------------------------------------------------------------------------------------------------------------|
| <ul style="list-style-type: none"><li>• All Purpose: Ideal for baking, roasting, grilling and smoking.</li><li>• Alder: Ideal with salmon and other strongly-flavored fish.</li><li>• Apple: Ideal for pork and chicken, or a fruity flavor when baking.</li></ul> | <ul style="list-style-type: none"><li>• Cherry: Ideal for roast chicken and pork.</li><li>• Hickory: Ideal for smoking ribs, ham, turkey, pork and wild game.</li><li>• Maple: Ideal for low 'n' slow smoking.</li><li>• Mesquite: Ideal for chicken and wild game.</li></ul> |
|--------------------------------------------------------------------------------------------------------------------------------------------------------------------------------------------------------------------------------------------------------------------|-------------------------------------------------------------------------------------------------------------------------------------------------------------------------------------------------------------------------------------------------------------------------------|

*\*Please contact your dealer to purchase additional wood pellets, or call us at 888.883.2260\**



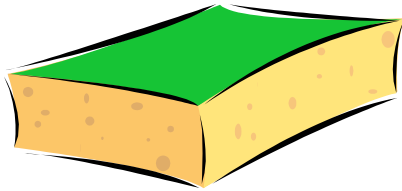
## Periodic Grill Maintenance

### Stainless Steel Surfaces

ALWAYS clean dirt and dust off all stainless steel surfaces before you begin to cook. The dirt can cook into the metal and discolor it. Dirt can be easily cleaned with hot, soapy water and a soft cloth. There are also many commercial products made to clean and protect your stainless steel surfaces. If the stainless steel becomes severely discolored, this discoloration can be removed with stainless steel cleaner and an abrasive (non-metallic) scrub pad.

### Savorizer®

It is recommended that you remove any build up of food or grease from the Savorizer® before every cook. A clean Savorizer® further reduces flare ups. Brush or scrape any build up off of the Savorizer® with a grill brush or putty knife. Never clean the Savorizer® while it is hot.

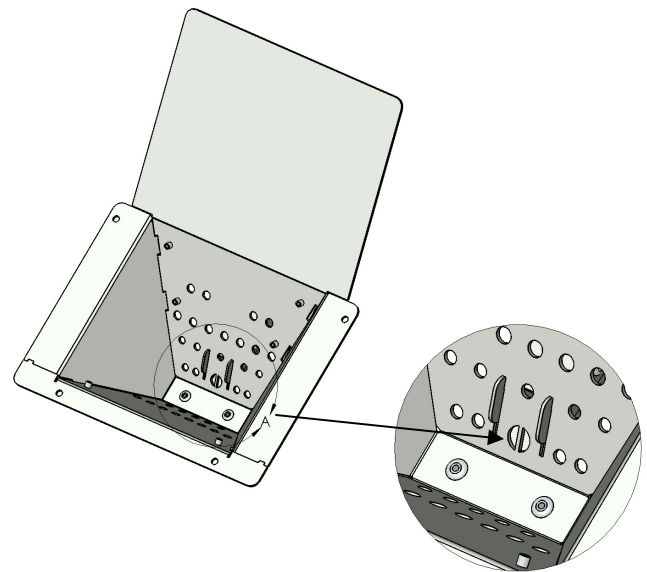


### Grease Trays

Always be sure the grease trays are clean and free of debris. During the warmer months empty any grease build-up on a more frequent basis to keep it from going rancid.

### Burn Pot and Igniter

Periodically check the air holes found in the burn pot for any blockages or build-ups. Using a wire brush, scrape off any build up or blockage. For thorough cleaning, the burn pot can be removed completely by removing four Phillips head screws and lock-washers. When reinstalling, confirm the proper positioning in the burn pot. The burn pot should be level from side to side and from front to back and should have a snug but not tight fit. You will also want to visually check the air holes in the igniter tube, as is displayed in the figure to the right. Clean any debris or blockage out of both areas to ensure a perfect start.



Igniter Hole Cleaning Location

### RTD

Your grill's ability to accurately sense temperature and adjust its performance accordingly is what makes it unique and valuable. The RTD, a temperature sensor located towards the rear of the cooking area should be wiped down with water and mild detergent to ensure proper performance.

### Grill Interior

Though BBQ pellets burn efficiently, they do create some amount of ash. The grill's interior walls and floor don't need to be spotless, but periodically clearing out accumulated ash is a good practice.

### Airbox

Because the Airbox is used to channel the fan-forced air into the burn pot, there is very little maintenance to be done in this area. Occasionally, you may either vacuum or brush out any build-up of ash or burn debris that has fallen below the burn pot. Remove any accumulation of grease or debris on the inside surfaces.

### Grill Cover

We recommend that you cover your Memphis Grill when not in use. Ensure that your grill is completely off and cooled before covering.



## Periodic Grill Maintenance

		<u>Frequency</u>				
		Every Use	Every 3 Uses	Once A Week	Once A Month	Once A Year
<u>Maintenance Task</u>	Scrape Cooking Grates	<b>X</b>				
	Check grease pan/bucket	<b>X</b>				
	Wipe down exterior surfaces		<b>X</b>			
	Scrape off Savorizer®		<b>X</b>			
	Clean Grease Trays		<b>X</b>			
	Wipe Off RTD		<b>X</b>			
	Clear Burn Pot		<b>X</b>			
	Clear Igniter Holes			<b>X</b>		
	Scrape/Vacuum Ash From Interior			<b>X</b>		
	Vacuum fine pellet dust from hopper				<b>X</b>	
	Wipe down, vacuum out Air Box					<b>X</b>



## Recommended Grilling Accessories

### **Meat Probe/Thermometer**

The outside temperature, wind conditions, pellet fuel variety and the altitude at which you live affect cooking times. The best way to ensure your meat has reached the proper temperature and is ready to eat is to utilize a good quality meat thermometer. We recommend the Memphis ITC Meat Probe, which can interface directly with your grill's ITC.



### **Disposable Grease Trays**

Your Memphis grill utilizes at least one grease tray that has been specially designed to accommodate disposable aluminum pans for easy and convenient clean-up. The Select and Advantage trays are compatible with any 8"x8" aluminum pan, and the Pro and Built-In trays are designed to hold two of any 9" X 13" aluminum foil pans.

### **Tongs**

Use tongs rather than a fork for turning and handling meats to avoid losing the natural juices. Extra large ones with long handles allow you to grip a variety of delicate foods.

### **Grill Baskets**

Perfect for cooking foods that are difficult to handle on the grill, such as vegetables, seafood, fish and certain cuts of meats. Usually made out of nickel-plated steel these baskets are made of two identical halves being held together with hinges. Not only do they protect food, and make handling easier, but also allow for different foods to be combined and grilled together without piercing the food.

### **Drip / Roast Pans**

Used to prevent flare-ups, keep food from drying out, eliminate basting, and catch those flavorful juices that drip from the meat. Various juices can also be added to the pan to impart a desired flavor, such as apple, lemon, cranberry, pineapple, any cola, etc.

### **Griddle**

One of the most used accessories for those grill enthusiasts that enjoy cooking any foods outdoors. Use to grill complete breakfasts, grill sandwiches, and toast fajitas. Griddles allow you to cook all your bacon and sausages outdoors, and they're great for grilling vegetables, stir-frying, and searing.

### **Spatulas**

A must for turning those delicious burgers and fish filets. Again, look for a long, sturdy handle and the widest blade possible. The holes in the blade prevent the build-up of steam, which could make your food soggy.

### **Cooking Racks**

Nickel-plated roast racks and rib racks are a great way to increase your cooking pleasure. Roast racks can be used to enhance the convective cooking capabilities of your grill by allowing the smoke flavored air to move around the entire roast evenly. Rib racks are a great way to increase your capacity of your grill for those large gatherings. They can also be used for chops and chicken pieces. (Additional small grates are available for purchase and will allow you to significantly increase your total cooking surface.)



## Recommended Grilling Accessories (Con't)

### **Basting Brush**

You may need a selection of these, as you should not use the same brush in two different marinades. Use to apply your favorite sauces and marinades to foods on the grill. Again look for one with a long handle to keep you hands away from the heat.

### **Skewers (wood or metal)**

When using the wood skewers, remember to soak them in water for at least 30 minutes before using to prevent them from burning in the heat of the grill. Another way to protect them would be to wrap the exposed ends with aluminum foil. Skewers come in a variety of shapes and materials.

### **Aluminum Foil**

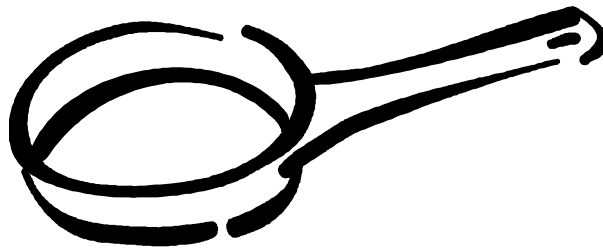
Extra-strength foil is always useful for grilling. Used to make foil packages, cover food, or to fold up into a flat dish to act as a drip pan. Also used to speed up cooking, protect bones from burning, and to keep foods warm.

### **Metal Brush**

It is important to clean your grill thoroughly before each use. A long-handled brush with metal bristles is the best tool for the job.

### **Skillets and Woks**

These kitchen favorites allow you to stir-grill vegetables, seafood, and other small pieces of food the same way you would if you were indoors.



## Food Handling and Safety

- Make sure to wash your hands before and after handling food.
- Prevent bacteria contamination by using separate platters and utensils for raw and cooked foods.
- Marinades should never be saved and reused. If you are going to serve a marinade with your food, be sure to bring it to a boil before serving.
- Keep hot foods hot (above 140°F) and cold foods cold (below 37°F).
- Don't defrost meat at room temperature or on a counter top.
- Marinate meat in the refrigerator.
- Use of a meat thermometer to determine the internal temperatures is recommended.





## Grilling Times and Temperatures

### Approximate Cooking/Grilling Times for Memphis Wood-Fired Convection Grill

Always use a meat thermometer to be sure meats and poultry are cooked to a safe internal temperature. **Serious Health risks may exist with undercooked meat!** Approximate cooking times are from various sources, and are based on meat at refrigerator temperatures. We suggest that when grilling at higher temperatures, you apply barbecue sauce only during the last 15 to 30 minutes of grilling to prevent excess browning or burning.

ITEM	SIZE	CONTROL SET POINT	APPROXIMATE GRILLING TIME	INTERNAL TEMP = ° F
<b>BEEF</b>				
Steaks	3/4" thick	450° - 650°	3 to 4 min./side 4 to 5 min./side 5 to 7 min./side	Medium rare 145 Medium 160 Med Well 170
Kabobs	1-inch cubes	450° - 650°	3 to 4 min./side	145 to 160
Hamburger patties	1/2" thick	450° - 650°	3 min. / side 4 to 5 min./side 5 to 7 min./side	Medium 160 Med Well 170 Well Done 180
Roast, rolled rump (indirect heat) sirloin tip (indirect heat)	4 to 6 lbs. 3 1/2 to 4 lbs.	350°	18 to 22 min./lb. 20 to 25 min./lb.	145 to 160
Tenderloin	Half, 2 to 3 lbs. Whole, 4 to 6 lbs.	350°	10 to 12 min./side 12 to 15 min./side	Medium rare 145 Medium 160
<b>HAM</b>				
Fully cooked (indirect heat)	any size	350° - 375°	8 to 10 min./lb.	140
Cook-before-eating (indirect heat)	Whole, 10 to 14 lbs. Half, 5 to 7 lbs. Portion, 3 to 4 lbs.	350° - 375°	10 to 15 min./lb. 12 to 18 min./lb. 30 to 35 min./lb.	160 - 170
<b>LAMB</b>				
Chops, shoulder, loin, or rib	1" thick	350° - 375°	5 min./side	145 to 160
Steaks, sirloin, or leg	1" thick	350° - 375°	5 min./side	145 to 160
Kabobs	1" cubes	350° - 375°	4 min./side	145 to 160
Patties, ground	4 oz., 1/2" thick	450° - 650°	3 min./side	Medium 160
<b>PORK, Fresh</b>				
Chops, bone-in or boneless	3/4" thick 1 1/2" thick	450° - 650°	3 to 4 min./side 7 to 8 min./side	Medium 160
Tenderloin	1/2 to 1 1/2 lbs.	450° - 650°	15 to 25 min. total	Medium 160
Ribs	*See Smoking Guidelines For Pork Ribs*			
Patties, ground	1/2" thick	450° - 650°	4 to 5 min./side	Medium 160



## Grilling Times and Temperatures

ITEM	SIZE	CONTROL SET POINT	APPROXIMATE GRILLING TIME	INTERNAL TEMP = ° F
<b>VEAL</b>				
Chops, steaks	1" thick	450° - 650°	5 to 7 min./side	145 to 160
Roast, boneless (indirect heat)	2 to 3 lbs.	350° - 375°	18 to 20 min./lb.	145 to 160
<b>VENISON</b>				
Roast, saddle, or leg	6 to 7 lbs.	350° - 375°	25 to 30 min./lb.	145 to 160
Steaks	3/4" thick	450° - 650°	4 to 5 min./side 6 to 7 min./side	Medium rare 145 Medium 160
<b>CHICKEN</b>				
Whole (indirect heat), not stuffed broiler fryer roasting hen Capon Cornish hens	3 to 4 lbs. 5 to 7 lbs. 4 to 8 lbs. 18 to 24 oz.	325°F, 160°C	60 to 75 min. 18 to 25 min./lb. 15 to 20 min./lb. 45 to 55 min.	180 as measured in the thigh
Breast halves, bone-in boneless	6 to 8 oz. each 4 oz. each	325°F, 160°C	10 to 15 min./side 6 to 8 min./side	170
Other parts: Legs or thighs Drumsticks Wings, wingettes	4 to 8 oz. 4 oz. 2 to 3 oz.	325°F, 160°C	10 to 15 min./side 8 to 12 min./side 8 to 12 min./side	180
<b>DUCK or GOOSE</b>				
Duckling, whole (indirect heat) Quartered (indirect heat)	4 1/2 lbs. (not stuffed)	325°F, 160°C	2 1/2 hrs. 1 hr., 25 min.	180 to 185
Goose, whole (indirect heat)	8 to 12 lbs.	325°F, 160°C	18 to 20 min./lb.	180 to 185
<b>TURKEY</b>				
Whole turkey (indirect heat)	8 to 12 lbs. 12 to 16 lbs. 16 to 24 lbs.	325°F, 160°C	2 to 3 hrs. 3 to 4 hrs. Not recommended	180 as measured in the thigh
Breast, bone-in boneless	4 to 7 lbs. 2 3/4 to 3 1/2 lbs.	325°F, 160°C	1 to 1 3/4 hrs. Not recommended	170
Thighs, drumsticks (indirect heat) Direct heat (pre-cook 1 hr.)	8 to 16 oz.	325°F, 160°C	1 1/2 to 2 hrs. 8 to 10 min./side	180
Boneless turkey roll (indirect heat)	2 to 5 lbs. 5 to 10 lbs.	325°F, 160°C	1 1/2 to 2 hrs. 2 to 3 1/2 hrs.	170 to 175



## Smoking Guidelines

### Approximate Smoking Times for Memphis Wood-Fired Grill

Always use a meat thermometer to be sure meats and poultry are cooked to a safe internal temperature and doneness. **Serious Health risks may exist with undercooked meat!** Approximate cooking times are, from various sources and are based on meat at refrigerator temperatures. Use a good quality temperature probe to assure best results. We suggest that when grilling at higher temperatures, you apply barbecue sauce only during the last 15 to 30 minutes of grilling to prevent excess browning or burning. **NOTE: Keep hood closed when using Smoke Mode.**

Smoking times are largely dependent on personal preference and the quality of the meat being smoked. **In general the longer you smoke the meat at a lower temperature the more tender the meat will become.** You will also need to consider how much of a smoke taste you want and what flavor of smoke. Oak, Hickory, Apple, Alder, Cherry, Mesquite to name the most common. Here again that is largely a matter of personal preference.

For best results we recommend that you smoke at a set point temperature of 225-275° for most meats. If you wish to have a smokier flavor and have the time, you can go as low as 180°, but you usually don't gain much by doing that.

It should also be noted that, when smoking in a very warm environment (sunny weather in excess of 90°F), it may be difficult for your grill to maintain temperatures lower than 200°F. If necessary, this can be remedied by leaving the hood slightly ajar.

The following is a general guide, and we recommend you experiment to find what temperature and flavor best suites your personal taste. If you want to finish faster use higher temperature. Note: this will in most cases result in a less tender product. When you have the time, lower temperature for a longer duration will give you the best results. For additional tips, and to view and share recipes go to [www.memphisgrills.com/recipe](http://www.memphisgrills.com/recipe).

ITEM	Control Set Point*	INTERNAL TEMP = ° F
BEEF	180°-275°	145 to 160
HAM	180°-275°	140-170
LAMB	180°-275°	145 to 160
PORK, Fresh	180°-275°	160-180
VEAL	180°-275°	145 to 160
VENISON	180°-275°	145 to 160
CHICKEN	180°-275°	170 to 180
DUCK or GOOSE	180°-275°	180 to 185
TURKEY	180°-275°	180 as measured in the thigh

\*Note that 180° set-point is only available on the Pro and Built-In Models.



## Smoking Suggestions

The following are a few important facts, tips and techniques to achieve great smoking results. There are probably as many theories on the best smoking method as there are chefs using them. With that in mind, consider the following factors when deciding which method best fits your needs.

- The Memphis Grill's smoking mode range is 180° to 295°F.
- Grill can smoke unattended continually for up to 48 hours
- If you wish to smoke at lower temperatures the Memphis Pro is calibrated to allow you to go as low as 180°. **When smoking at the lower temperatures it's critical that you use a premium food grade pellet such as Natures Way flavored BBQ Pellets.** Nature's Way premium pellets are specially formulated to allow for more even feeding and temperatures. For best results, always use Natures Way premium pellets.
- It is strongly recommended that the burn pot be cleaned before and after smoking for a significant period. Unchecked ash build-up could eventually prohibit the grill from maintaining smoking temperatures.
- **Caution:** We don't recommend that you use the lower temperatures when smoking in cool and or windy conditions. **At temperatures less than 225° the possibility of creosote\* developing from smoke condensation arises.** As always use your best judgment, clean your grill often, and proceed on the side of safety and caution.
- The best way to determine where you get the best results is to experiment. We all have different tastes and the best way to determine what's right for you is to try different flavors and techniques. **We encourage you to share your cooking experiences with other Memphis owners by going to <http://www.memphisgrills.com/recipes> or our blog site.**

*\*Creosote is a gummy, foul smelling, corrosive and flammable substance that, if no precautions are taken, will coat the insides of everything it passes through. It is formed when gases given off in the burning process combine and condense. Typically the gases leave the burn chamber with the smoke. However if restricted too much or if the smoke is cooled below 225°, the gases can liquefy, forming creosote.*



## Troubleshooting And Error Messages

In the event that your Memphis grill encounters any kind of issue or problem in operation, please consult this chart. If the solutions offered here are insufficient to resolve the matter, please contact your dealer, or Hearthland Products directly at the number found at the end of this manual.

<u>Problem</u>	<u>Cause</u>	<u>Solution</u>
Received Error Message "ER-1"	<ul style="list-style-type: none"> <li>The appliance has overheated, possibly due to a grease fire, or excess fuel.</li> </ul>	<ul style="list-style-type: none"> <li>Turn the grill off and allow it to cool. If necessary, follow the procedure in the General Warning section. Clean grill interior and clear of excess fuel before restarting.</li> </ul>
Received Error Message "ER-2"	<ul style="list-style-type: none"> <li>The appliance has failed to ignite within the allotted 30 minutes.</li> </ul>	<ul style="list-style-type: none"> <li>Check the hopper for sufficient fuel.</li> <li>Check the burn pot for ash build-up or other obstructions.</li> <li>Check igniter to see if it is heating up(igniter may need replacing).</li> <li>In extreme cold, grill may require additional priming to achieve ignition.</li> <li>Make sure hood is closed.</li> </ul>
	<ul style="list-style-type: none"> <li>Grill will not stay lit.</li> </ul>	<ul style="list-style-type: none"> <li>Check the hopper for sufficient fuel.</li> <li>Check the burn pot for ash build-up or other obstructions.</li> <li>Make sure hood is closed.</li> </ul>
Received Error Message "ER-3"	<ul style="list-style-type: none"> <li>The appliance has experienced power failure during operation.</li> </ul>	<ul style="list-style-type: none"> <li>Ensure that your grill is securely plugged in.</li> <li>Check for power-failures within your home.</li> </ul>
Grill Will Not Turn On	<ul style="list-style-type: none"> <li>Grill is not properly plugged in.</li> </ul>	<ul style="list-style-type: none"> <li>Ensure that your grill is plugged into a working GFCI outlet.</li> </ul>
	<ul style="list-style-type: none"> <li>A power surge has tripped the circuit board fuse on the ITC.</li> </ul>	<ul style="list-style-type: none"> <li>Fuse must be manually replaced. See guide at the end of this section.</li> </ul>
Grill Produces Excess or Discolored Smoke	<ul style="list-style-type: none"> <li>Wood pellets have absorbed excess moisture.</li> </ul>	<ul style="list-style-type: none"> <li>Clear the hopper and burn pot of moist pellets, replacing them with dry pellets.</li> </ul>
	<ul style="list-style-type: none"> <li>Burn pot is overloaded with ash build-up.</li> </ul>	<ul style="list-style-type: none"> <li>Check the burn pot for ash build-up or other obstructions.</li> </ul>
Grill Will Not Achieve Or Maintain Stable Temperature	<ul style="list-style-type: none"> <li>Grill isn't receiving sufficient fuel.</li> </ul>	<ul style="list-style-type: none"> <li>Check the hopper for sufficient fuel.</li> <li>Check that both sides of the hopper are filled(Pro and Built-In).</li> </ul>
	<ul style="list-style-type: none"> <li>Grill isn't receiving sufficient air-flow.</li> </ul>	<ul style="list-style-type: none"> <li>Check the burn pot for ash build-up or other obstructions.</li> <li>Check to see if fan(s) have been unplugged or have failed.</li> <li>Contact dealer or Hearthland directly in case of fan failure.</li> </ul>
	<ul style="list-style-type: none"> <li>Burn-pot is overloaded with ash build-up.</li> </ul>	<ul style="list-style-type: none"> <li>Check the burn pot for ash build-up or other obstructions.</li> <li>Check to see if fan(s) have been unplugged or have failed.</li> </ul>
Frequent Flare-ups are experienced	<ul style="list-style-type: none"> <li>Flammable material build-up.</li> </ul>	<ul style="list-style-type: none"> <li>Check to see if fan(s) have been unplugged or have failed.</li> </ul>
Cooking temperatures are uneven	<ul style="list-style-type: none"> <li>Unbalanced airflow throughout the grill.</li> </ul>	<ul style="list-style-type: none"> <li>Ensure that Savorizer® is installed correctly.</li> </ul>
ITC Constantly Reads 32	<ul style="list-style-type: none"> <li>Damaged ITC</li> </ul>	<ul style="list-style-type: none"> <li>Contact your dealer or Hearthland Products</li> </ul>



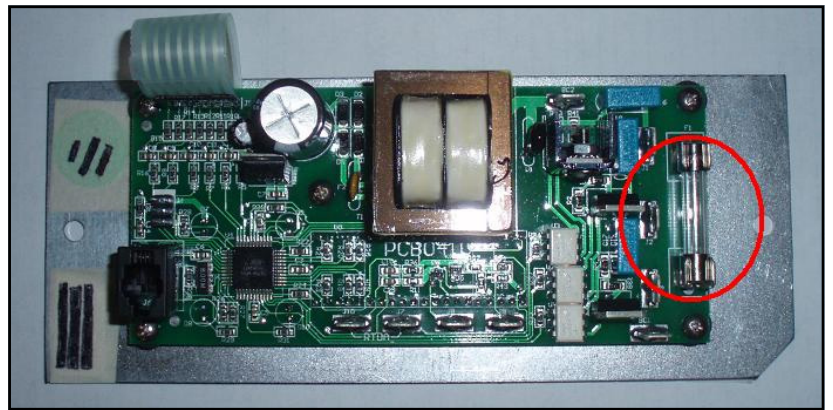
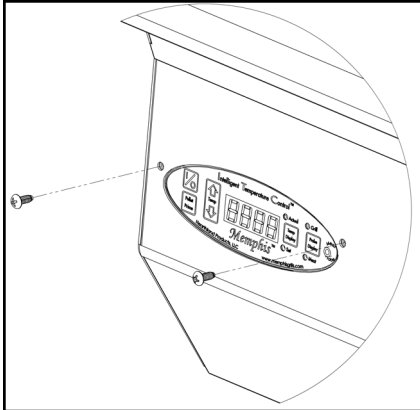
## Troubleshooting: ITC Circuit Board Fuse Replacement

The ITC, or Intelligent Temperature Control system on your Grill is 2 way logic system with microprocessor technology. In the interest of protection from power surges and electrical shorts, the ITC utilizes a 5 Amp, 120 Volt Fast-Blow fuse\*. This simple and inexpensive part can be easily replaced with the following instructions.

1. Ensure that the grill is cool, powered-down, and unplugged.
2. Supporting the electrical box with one hand, remove the two Phillips-head screws securing the ITC to the front of the grill.
3. If possible, leave all of the connections on the circuit board intact. If it is necessary to remove them to inspect the fuse, take note of their specific location. Marking connections with tape is a convenient way to do this.
4. Inspect the back of the ITC, taking note of the condition of the fuse currently in place. Carefully yet firmly remove the fuse, prying it from underneath using your thumb or a soft instrument.
5. If you have access to a multimeter, check for current flow across the two nodes of the fuse. If you do not, simply inspect the filament of the fuse.
6. If the fuse seems to be blown, replace it with an identical fuse, as is identified in the figure to the right.
7. Restore any unplugged connections.
8. Secure the ITC board and electrical box to the grill using the two Phillips-head screws.



A 1-1/4 " x 1/4", 5 Amp, 120 Volt, Fast-Blow Cartridge Fuse\*



\*European models use a 1-1/4" x 1/4", 5 Amp, 230 Volt Fast-Blow Cartridge Fuse



## Memphis Grills Limited Warranty

This Limited Warranty covers Memphis Grill products manufactured by Hearthland Products, LLC. Products carry a five (5) year Limited Warranty from the date of purchase by the original owner against defects in material and workmanship. Electronic and electrical components carry a two (2) year replacement warranty when subjected to normal residential use. Limited Warranty does not apply to paint, burn pot, burn grate, grill cover gaskets or damage caused by corrosion.

### Conditions of Limited Warranty

During the term of the Limited Warranty, Hearthland Products LLC's (HP) obligation shall be limited of replacement of covered, failed components, F.O.B. point of shipment. HP will repair or replace parts returned to HP, freight prepaid, if the part(s) are found by HP to be defective upon examination. HP shall not be liable for transportation charges, labor costs, or export duties. Except as provided in this CONDITIONS OF LIMITED WARRANTY, repair or replacement of parts in the manner and for the period of time stipulated hereunder shall constitute the fulfillment of all direct and derivate liabilities and obligations from HP to you.

The Warranty coverage begins on the original date of purchase as stated on the sales receipt. Warranty Registration and proof of original date of purchase is required to validate the Limited Warranty.

Repair or replacement of the HP component does not extend the Limited Warranty beyond one (1) year from date of purchase.

Pouring hot liquids on or in your HP product will void this warranty. Any modifications including holes, screws, and any other sheet metal changes to the product will void this warranty.

HP takes every precaution to utilize materials that retard rust. Even with these safeguards, the material can be compromised by various substances and conditions beyond HP control. High temperatures, excessive humidity, chlorine, industrial fumes, fertilizers, lawn pesticides and salt are some of the substances that can affect metal coatings. For these reasons, the Limited Warranty **DOES NOT COVER RUST OR OXIDATION**, unless there is a loss of structural integrity on the grill component. Should any of the above occur, refer to your Owner's Manual maintenance section for finish protection. HP recommends that you purchase a HP full length protective cover for your grill when not in use.

The Limited Warranty is based on residential use. Warranty coverage does not apply to products used in commercial applications.

### Exceptions to the Limited Warranty

**There is no written or implied performance warranty on HP Products as the manufacturer has no control over the installation, operations, cleaning, maintenance or the type of fuel burned.**

**This Limited Warranty will not apply if your product has not been installed, operated, cleaned and maintained in strict accordance with the manufacturer's instructions. Burning anything other than Premium Grade BBQ wood pellets may void the Warranty. The Warranty does not cover damage or breakage due to misuse, improper handling or modifications.**

**NEITHER THE MANUFACTURER, NOR THE SUPPLIERS TO THE PURCHASER, ACCEPTS RESPONSIBILITY, LEGAL OR OTHERWISE, FOR THE INCIDENTAL OR CONSEQUENTIAL DAMAGE TO THE PROPERTY OR PERSONS RESULTING FROM THE USE OF THIS PRODUCT. ANY WARRANTY IMPLIED BY LAW, INCLUDING BUT NOT LIMITED TO IMPLIED WARRANTIES OF MERCHANT-ABILITY OR FITNESS, SHALL BE LIMITED TO ONE (1) YEAR FROM THE DATE OF ORIGINAL PURCHASE. WHETHER A CLAIM IS MADE AGAINST THE MANUFACTURER BASED ON THE BREACH OF THIS WARRANTY OR ANY OTHER TYPE OF WARRANTY EXPRESSED OR IMPLIED BY LAW, MANUFACTURER SHALL IN NO EVENT BE LIABLE FOR ANY SPECIAL, INDIRECT, CONSEQUENTIAL OR OTHER DAMAGES OF ANY NATURE WHATSOEVER IN EXCESS OF THE ORIGINAL PURCHASE PRICE OF THIS PRODUCT. ALL WARRANTIES BY MANUFACTURER ARE SET FORTH HEREIN AND NO CLAIM SHALL BE MADE AGAINST MANUFACTURER ON ANY ORAL WARRANTY OR REPRESENTATION.**



## Memphis Grills Limited Warranty (cont'd)

Some states do not allow the exclusion or limitation of incidental or consequential damages, or limitations of implied warranties, so the limitations or exclusions set forth in this Limited Warranty may not apply to you. This Limited Warranty gives you specific legal rights and you may have other rights, which vary from state to state.

The Limited Warranty for five (5) years is in lieu of all other warranties expressed or implied, at law or otherwise, and HP does not authorize any person or representative to assume for HP any obligation or liability in connection with the sale of this product. This means that no warranties, either expressed or implied are extended to persons who purchase the product from anyone other than HP or an authorized HP Dealer or Distributor.

### Procedure for Warranty Service

1. Complete Warranty Registration online at [www.hearthlandproducts.com](http://www.hearthlandproducts.com) under Product Support or mail the Warranty Registration Form at the end of this Owner's Manual.
2. Contact your nearest Hearthland Products Dealer for service and/or part replacement as stated under the conditions of the Limited Warranty.
3. Be prepared to provide the following: purchaser's name, date of purchase, copy of dated sales receipt, model and serial number of product and an accurate description of the problem.

**We strongly recommend you first contact your nearest Hearthland Products Dealer for sales and service. If further assistance is needed call Hearthland Products Customer Service and Technical Support at 1-888-883-2260.**





## WARRANTY REGISTRATION FORM

Register online at [www.memphisgrills.com](http://www.memphisgrills.com) under Product Support or complete and return this Warranty Registration Form within 30 days of purchase to register your warranty.

Warranty coverage begins on the original date of purchase. Proof of original date of purchase from an authorized Hearthland Products Dealer is required to validate Warranty. Without receipt of Warranty Registration and proof of date of purchase, the warranty will begin from ship date to Dealer or Retailer.

*\*required fields*

First Name\* \_\_\_\_\_

Last Name\* \_\_\_\_\_

Mailing Address\* \_\_\_\_\_

City\* \_\_\_\_\_

State/Province\* \_\_\_\_\_

Postal Code\* \_\_\_\_\_

Country\* \_\_\_\_\_

Phone Number \_\_\_\_\_

Email \_\_\_\_\_

*All product information is located under the pellet hopper lid.*

Model\* \_\_\_\_\_

Model Number\* VG \_\_\_\_\_

Serial Number\* (last 4-5 digits) \_\_\_\_\_

Send Warranty Registration and dated sales receipt to:

Hearthland Products, LLC.  
Memphis Grill Warranty Registration  
9111 Grand Ave South  
Bloomington, MN 55420

Contact Hearthland Products Customer Service with any questions.  
1-888-883-2260



**This page left blank intentionally.**



# Memphis Pro

Model Number VG0001/VG0001E  
 Appendixes and Model-Specific Information

<u>Contents</u>	
<b>Unpacking and Assembly</b>	1
<b>Grill Assembly</b>	2
<b>Grill Bill Of Materials</b>	3
<b>Assembly Step 1</b>	4
<b>Assembly Step 2</b>	5
<b>Assembly Step 3</b>	6
<b>Hardware Kit</b>	7
<b>Wiring Diagram (Spade-End Connectors)</b>	8
<b>Wiring Diagram (Wiring Block)</b>	9

# **Unpacking and Assembling Your Memphis Wood Fired Convection Grill.**

**\*Grill requires (2) two people for safe assembly\***

Please note that during shipping some movement may have taken place, so a complete visual inspection is required. **Be sure to inspect entire grill after removing the protective shipping carton. Report any damage to your local dealer immediately. Shipping damage is not covered under warranty. Some surfaces may be sharp so wear gloves when assembling. Do not plug in the grill until it's fully assembled, the plastic protective film is removed from all stainless steel surfaces, and you're ready to cook. See: "start up procedure" for more details.**

## **Your carton will contain the following:**

- 1– Pre-assembled grill head & lower cabinet assembly
- 2– Large cooking grates
- 1– Small cooking / warming grate
- 1- Integrated Savorizer® / flame deflector
- 1– Right shelf (without ITC)
- 1– Left shelf with ITC and wiring harness
- 1– Hardware bag with Owner's Manual

## **Tools Required**

- 3/8" Open end wrench or socket for side shelf assembly

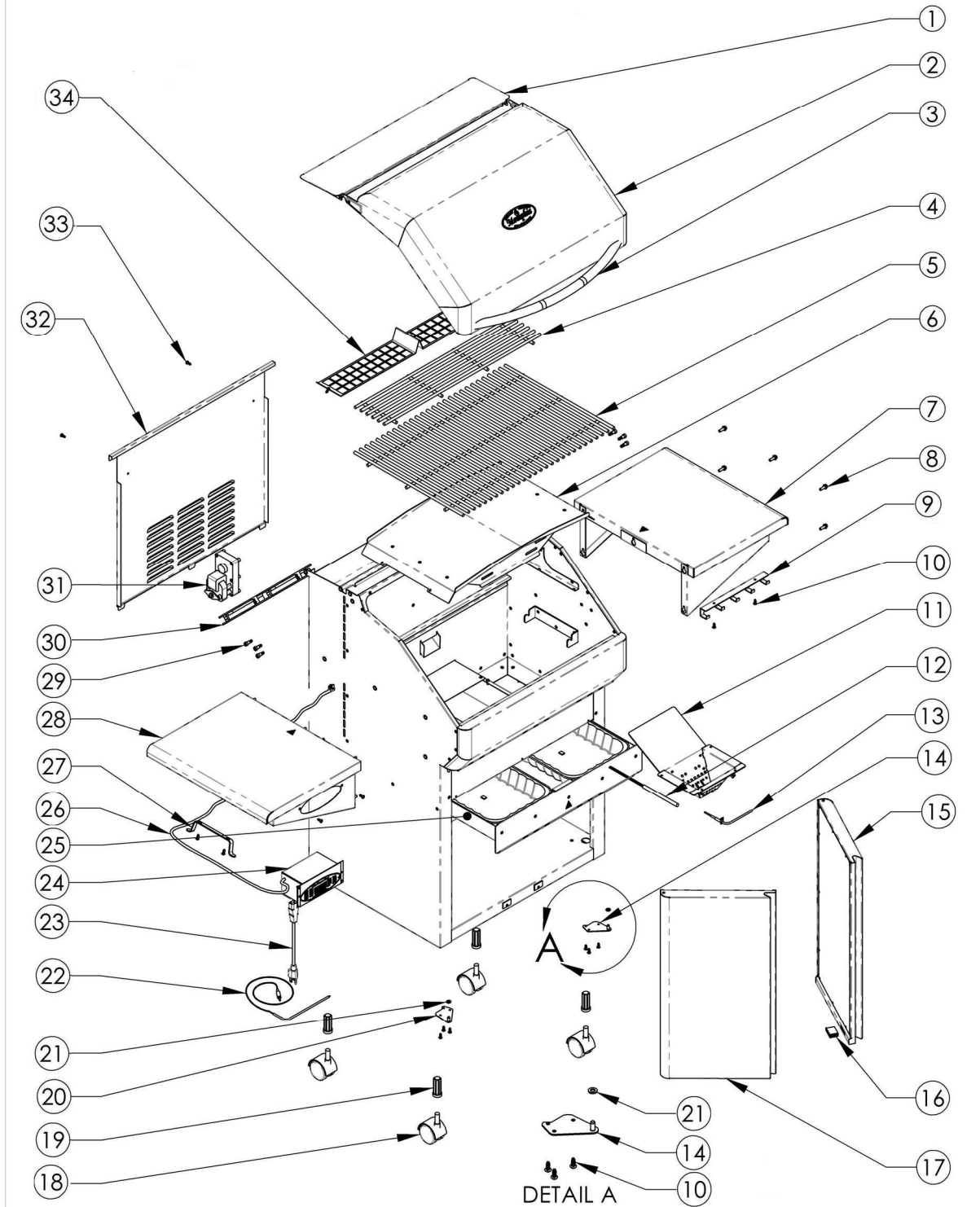
## **Unpack and Identify Primary Components and Hardware (see "Hardware Kit")**

- 10- ¼-20 X.75" Bolts for side shelves
- 10 - Stainless Steel Shelf Washers
- 4 - #10 Self Tapping Screws, Black
- 2 - #10 Self Tapping Screws, Stainless Steel
- 1 - Cord Wrap
- 1 - Tool Holder
- 1 - Power Cord
- 1 - Meat Probe

**Procedure for Assembly – See Diagrams on the following pages.**

# Grill Assembly

## MEMPHIS PRO - EXPLODED VIEW

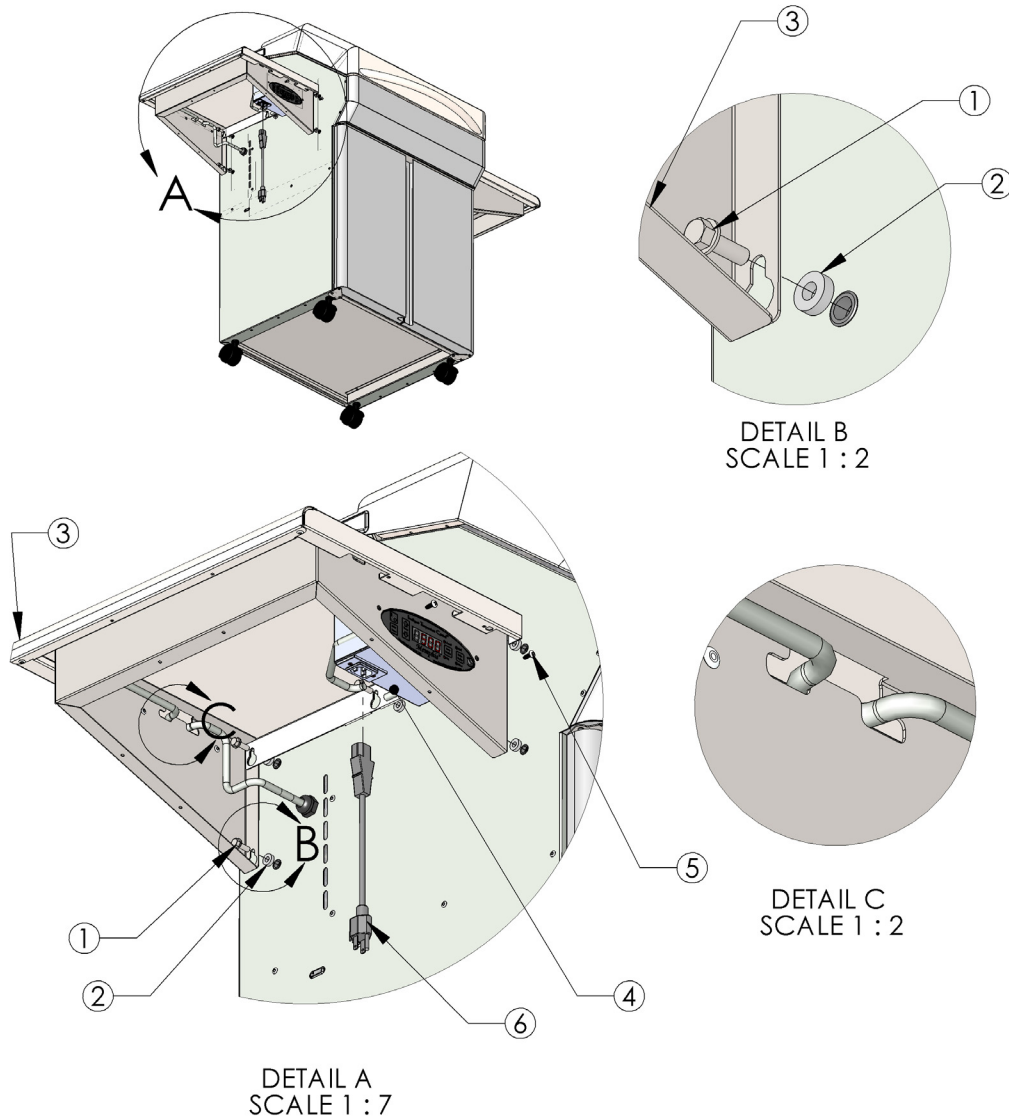


## Grill Bill of Materials

ITEM	PART NUMBER	DESCRIPTION	QTY	ITEM	PART NUMBER	DESCRIPTION	QTY
1	VG0112	REVERSIBLE HOPPER LID	1	18	DS4458	3" HEAVY DUTY CASTER	4
2	VG1101	GRILL COVER ASSEMBLY	1	19	DS4457	CASTER SOCKET	4
3	VG1104	HANDLE ASSEMBLY	1	20	VG0211	HINGE BOTTOM, LEFT	1
4	VG4402	SMALL GRATE ASSEMBLY	1	21	DS4213	.47 O/D NYLON WASHER	2
5	VG4401	LARGE GRATE ASSEMBLY	2	22	VG0956	MEAT PROBE	1
6	VG4403	SAVORIZER® ASSEMBLY	1	23	VG0911	POWER CORD, U.S.	1
7	VG2206	SHELF ASSEMBLY, RIGHT	1	24	VG3551	CONTROL ENCLOSURE ASS'Y	1
8	DS2311	1/4-20 X .75" STAINLESS BOLT	10	25	VG1121	ASH DRAWER ASSEMBLY	1
9	VG0215	TOOL HOLDER	1	26	VG0924B	WIRE HARNESS	1
10	DS2185	10-24 X .50" PH SCREW, BLACK	4	27	VG0560	CORD WRAP	1
11	VG2125	BURN POT ASSEMBLY	1	28	VG2207	SHELF ASSEMBLY, LEFT	1
12	VG0910	IGNITER CARTRIDGE	1	29	DS2187	.312 DIA. SHOULDER SCREW	6
13	VG0917	4" CURVED RTD	1	30	VG0906	COMBUSTION FAN	2
14	VG0210	HINGE BOTTOM, RIGHT	1	31	VG0905	1 RPM AUGER MOTOR	1
15	VG2204	DOOR ASSEMBLY, RIGHT	1	32	VG0115	REAR ACCESS PANEL	1
16	VG0927	DOOR MAGNET	2	33	DS2186	10-24 X .50" PH SCREW, SS	6
17	VG2201	DOOR ASSEMBLY, LEFT	1	34	VG0151	PRO AUGER GUARD	1



# Assembly Step 1



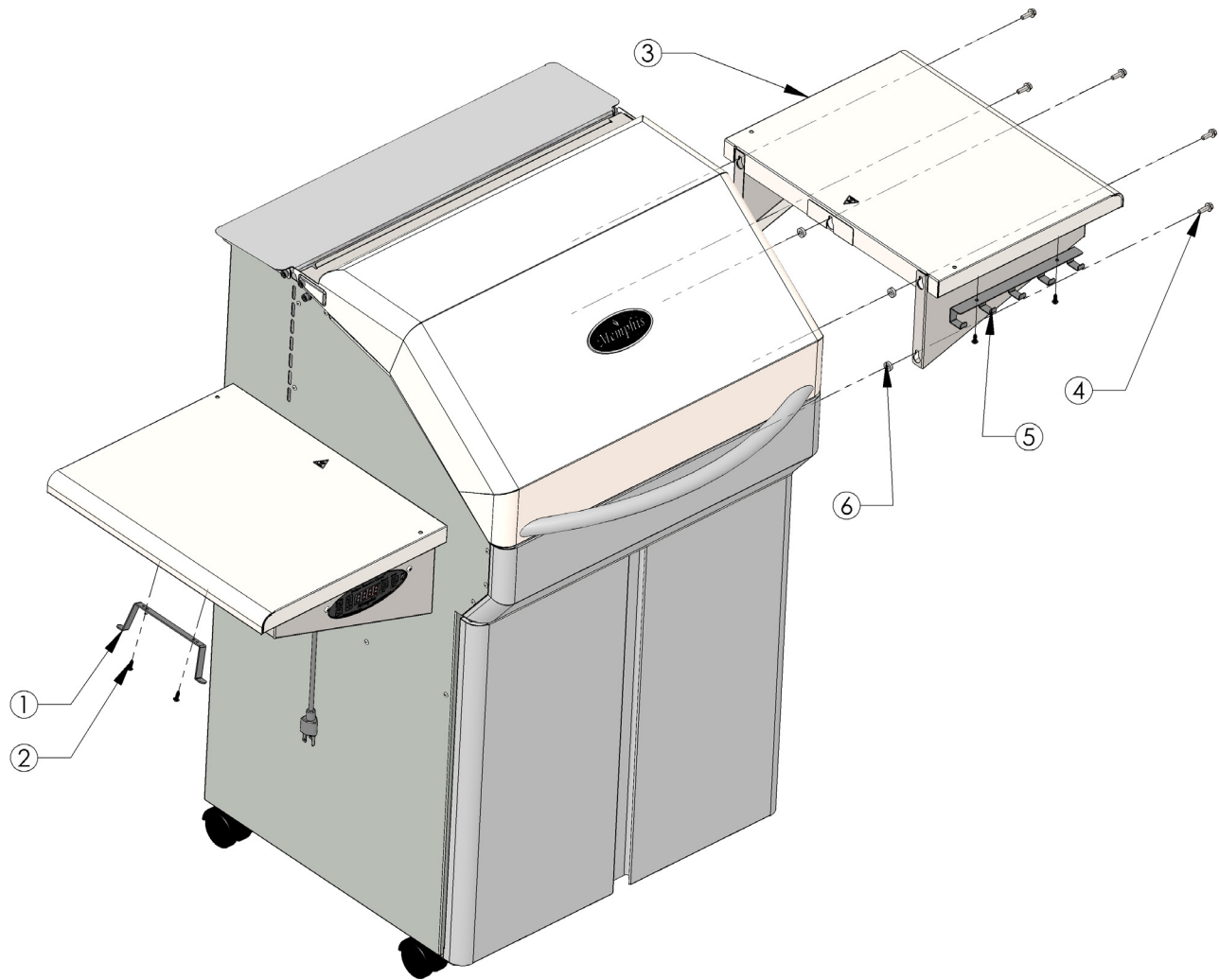
## ASSEMBLY INSTRUCTIONS:

1. LOOSELY ATTACH ITEM 1(5X) AND 2 (5X) TO LEFT SIDE OF GRILL. DO NOT TIGHTEN.
2. FIT KEYHOLES OF ITEM 3 BETWEEN ITEMS 1 AND 2 AS SHOWN IN DETAIL B, THEN TIGHTEN ITEM 1 USING 3/8 OPEN END WRENCH OR SOCKET.
3. PLACE ITEM 4 INSIDE ITEM 3 AND ATTACH TO ITEM 3 USING ITEM 5 (2X).
4. ROUTE WIRE FROM ITEM 4 INTO CLIPS ON INSIDE OF ITEM 3 AS SHOWN IN DETAIL C.
5. ATTACH ITEM 5 TO ITEM 3.

ITEM	PART NUMBER	DESCRIPTION	QTY
1	DS2311	1/4-20 X .75" STAINLESS STEEL HEX-HEAD BOLT	5
2	VG0216	SHELF WASHER	5
3	VG2207	SHELF ASSEMBLY LEFT	1
4	VG3551E	CONTROL ENCLOSURE ASSEMBLY	1
5	DS2186	10-24 X .50" PHILLIPS HEAD STAINLESS STEEL SCREW	2
6	VG0911E	POWER CORD	1



## Assembly Step 2



**ASSEMBLY PROCEDURE:**

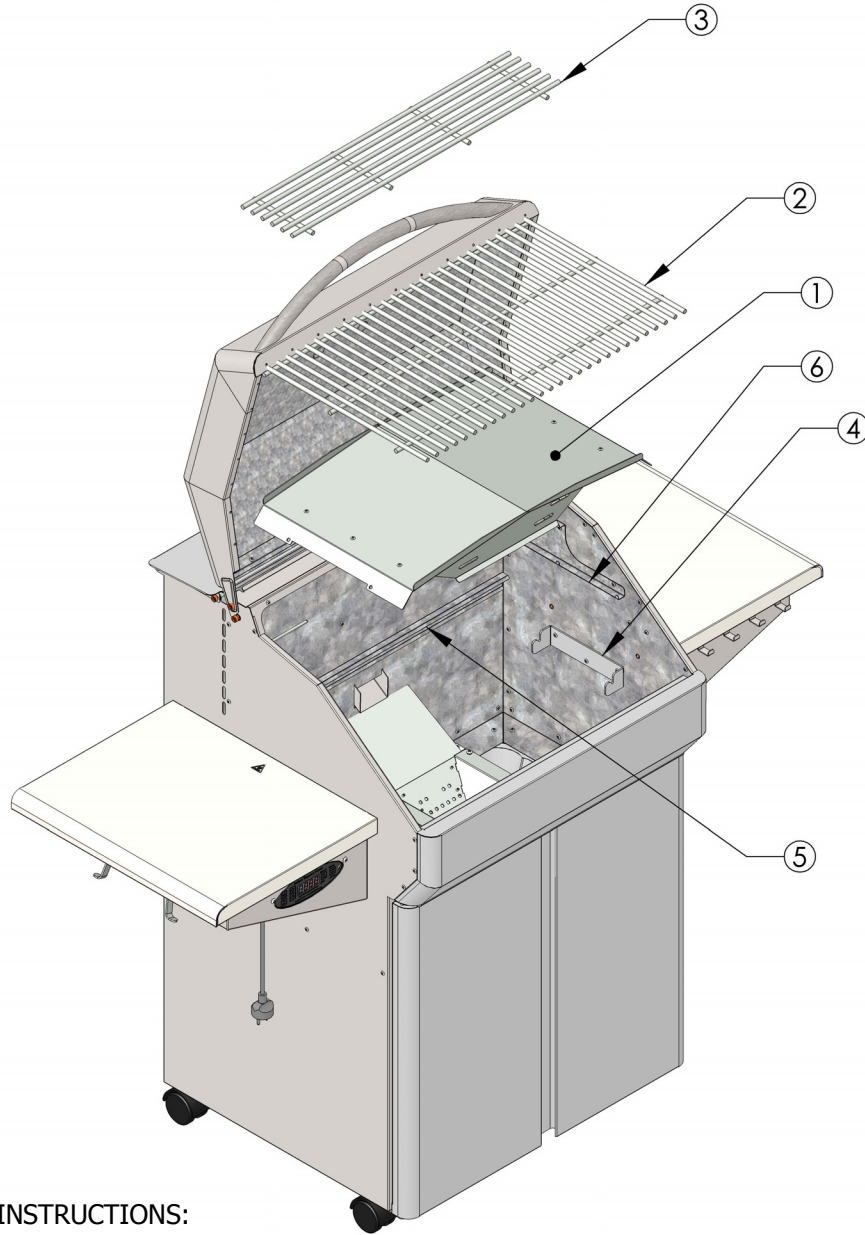
1. ATTACH ITEM 1 TO LEFT SIDE SHELF USING ITEM 2 (2X). ATTACH ON ONE OF THE VERY UNDERSIDE FLANGES AS YOU DESIRE.
2. ATTACH ITEM 3 TO GRILL BODY USING ITEM 4 (5X) AND ITEM 6 (5X). FIRST ATTACH ITEMS 4 AND 6 TO GRILL BODY, DO NOT TIGHTEN ITEM 4, THEN ATTACH ITEM 3 OVER THE HEADS OF ITEM 4 AND IN FRONT OF ITEM 6 THEN TIGHTEN ITEM 4.
3. ATTACH ITEM 5 TO RIGHT SIDE SHELF OR LEFT SIDE SHELF AS DESIRED USING ITEM 2 (2X). ATTACH TO THE UNDERSIDE OF THE TOP SHELF.

ITEM	PART NUMBER	DESCRIPTION	QTY
1	VG0560	CORD WRAP	1
2	DS2185	10-24 X .50" PHILLIPS HEAD BLACK SCREW	4
3	VG2206	SHELF ASSEMBLY RIGHT	1
4	DS2311	1/4-20 X .75" STAINLESS STEEL HEX-HEAD BOLT	5
5	VG0215	TOOL HOLDER	1
6	VG0216	SHELF WASHER	5





## Assembly Step 3



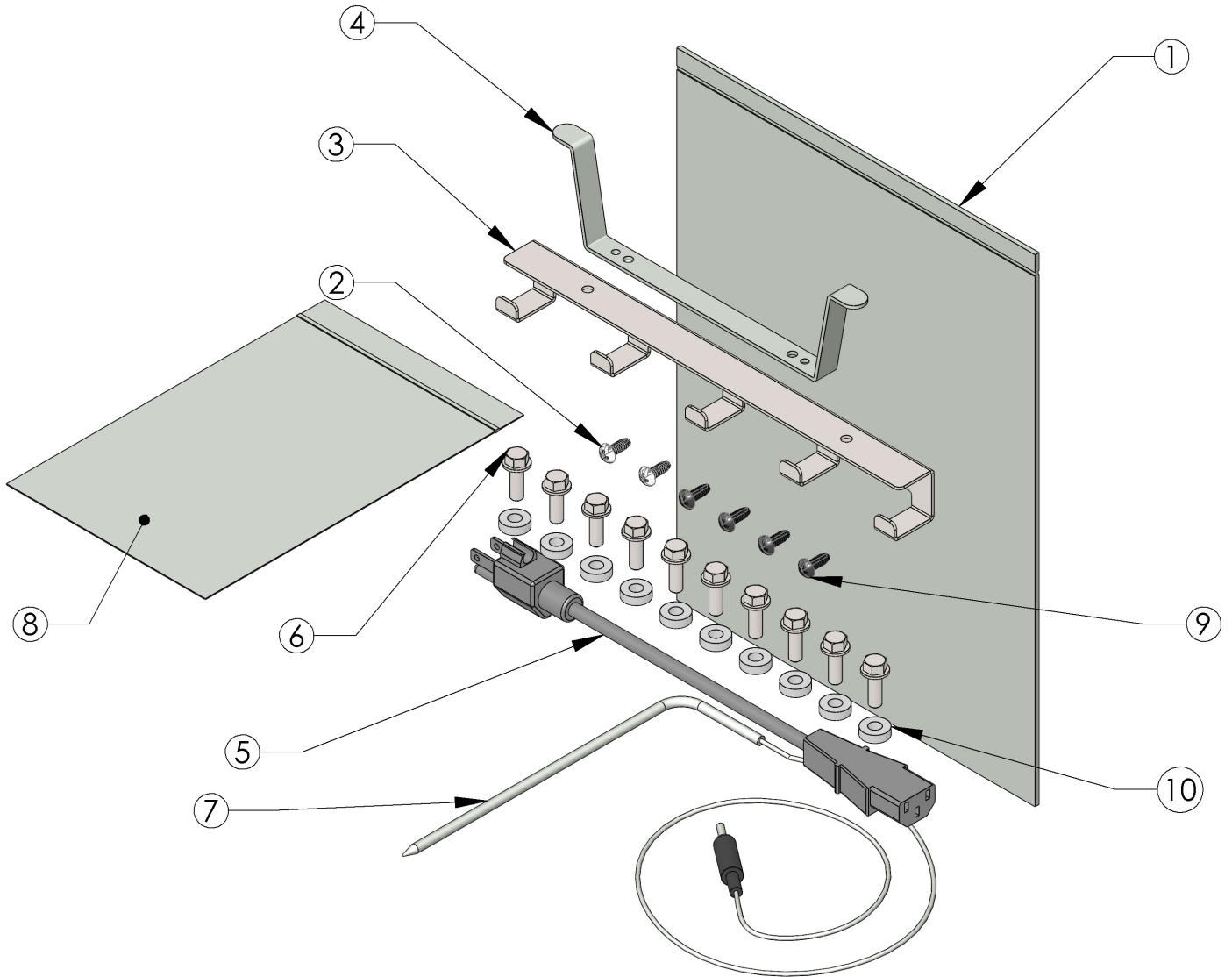
**ASSEMBLY INSTRUCTIONS:**

1. PLACE ITEM 1 ON ITEM 4 SIDE BRACKETS (2X).
2. PLACE ITEM 2 ON ITEM 5 REAR BRACKET AND FRONT LEDGE.
3. PLACE ITEM 3 ON ITEM 6 UPPER RACK BRACKET AS DESIRED.

ITEM	PART NUMBER	DESCRIPTION	QTY
1	VG4403	SAVORIZER® ASSEMBLY	1
2	VG4401	LARGE COOKING GRATE	2
3	VG4402	SMALL COOKING GRATE	1



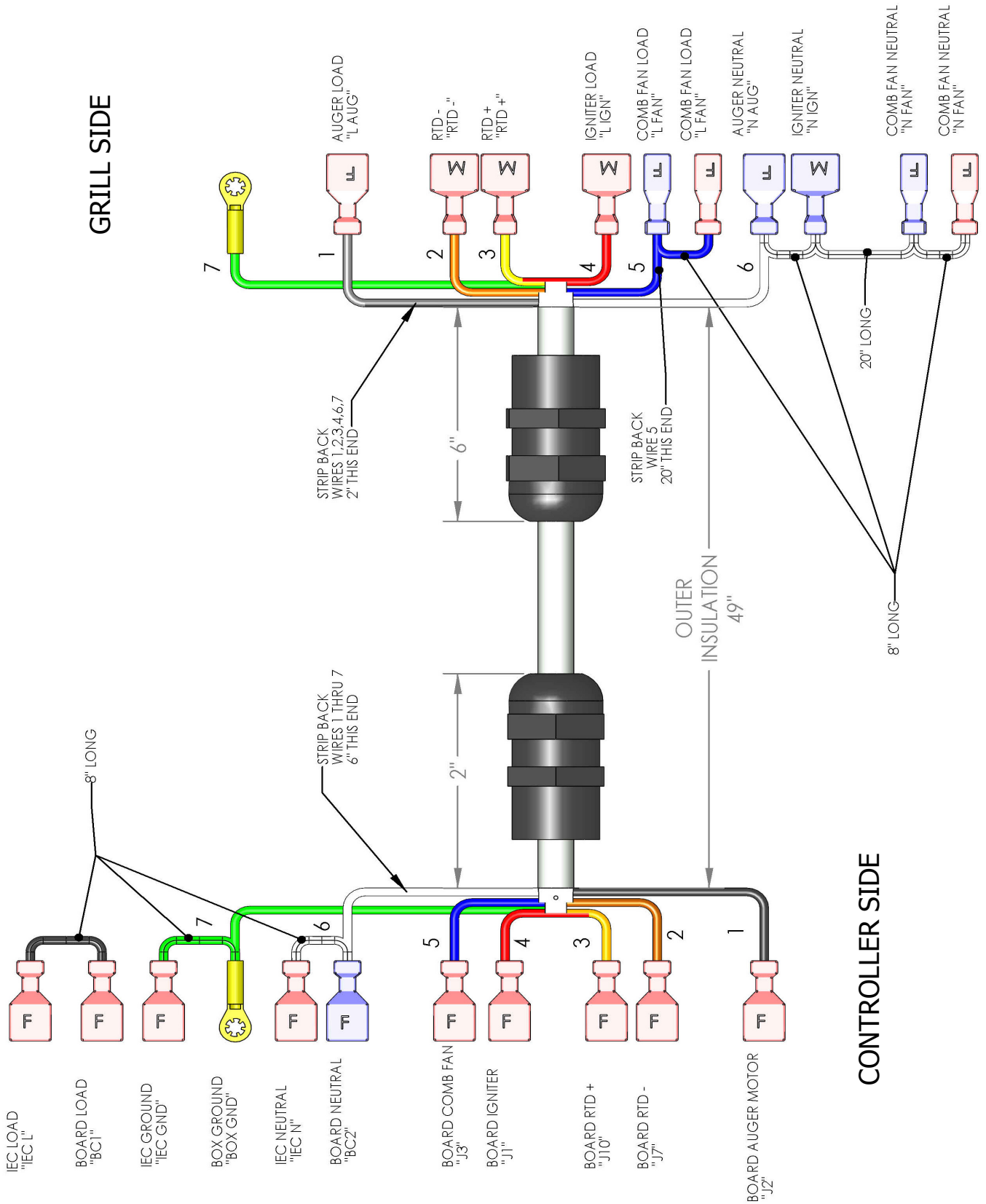
# Hardware Kit



ITEM NO.	PART NO.	DESCRIPTION	QTY.
1	DS4459	9" X 12" POLY BAG	1
2	DS2186	#10 SELF-TAPPING SCREW, STAINLESS	2
3	VG0215	TOOL HOLDER	1
4	VG0560	CORD WRAP	2
5	VG0911	POWER CORD	1
6	DS2311	1/4-20 X .750 BOLT	10
7	VG0956	MEAT PROBE	1
8	DS4219	5" X 8" POLY BAG	4
9	DS2185	#10 SELF-TAPPING SCREW, BLACK ZINC	4
10	VG0216	SHELF WASHER	10

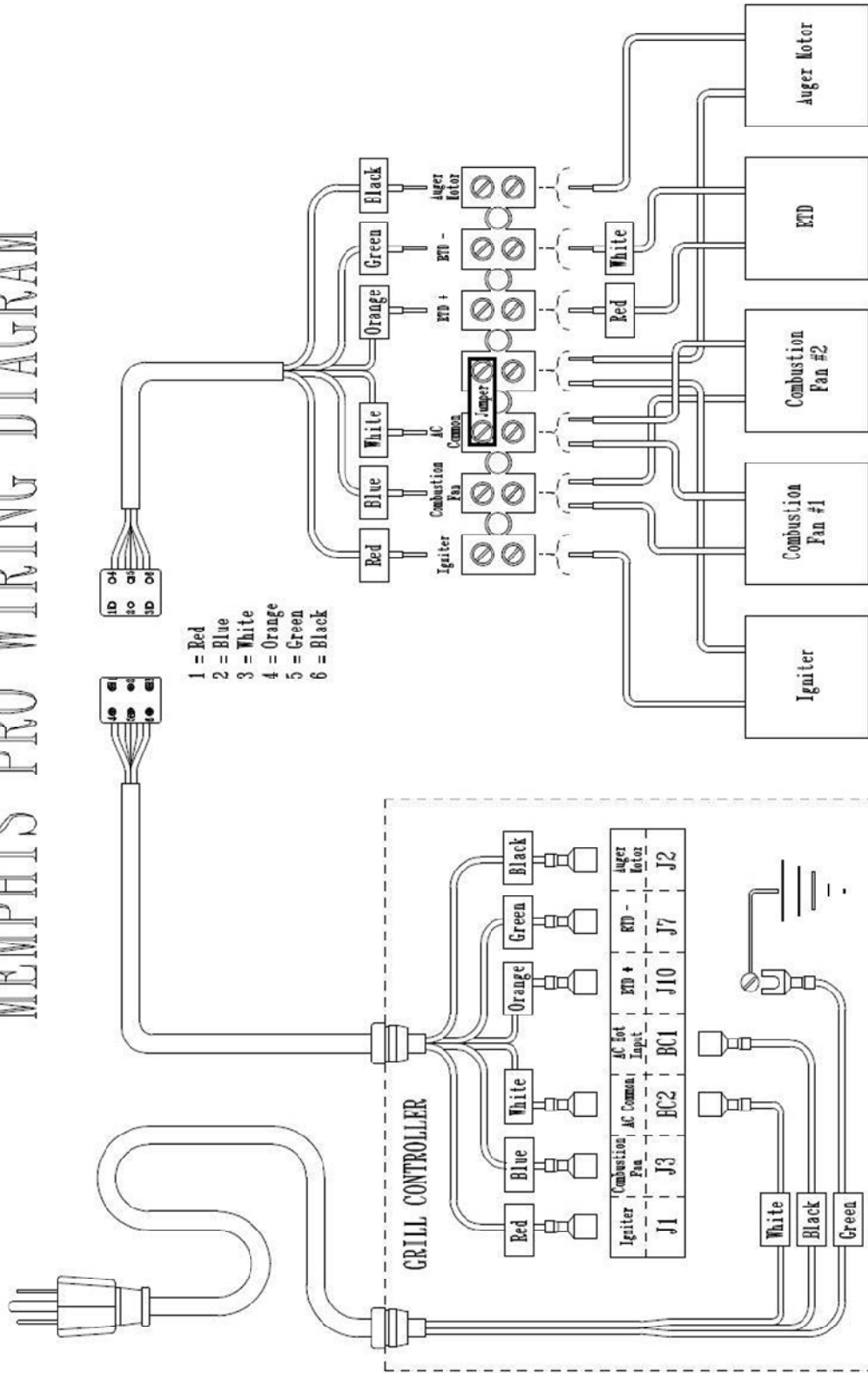


# Wiring Diagram Spade-End Connectors



# MEMPHIS PRO WIRING DIAGRAM

## Wiring Diagram Wiring Block



5-26-10

